

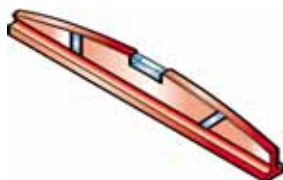
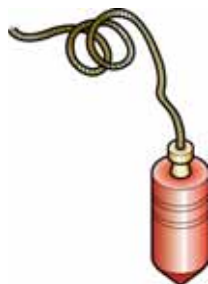
# Oak70

fontanot®

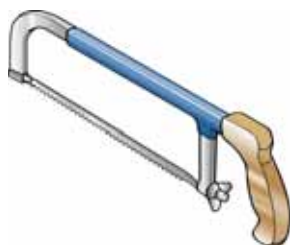
Instructions







2,5 mm  
3 mm  
5 mm  
12 mm



PH 2



13 mm  
30 mm

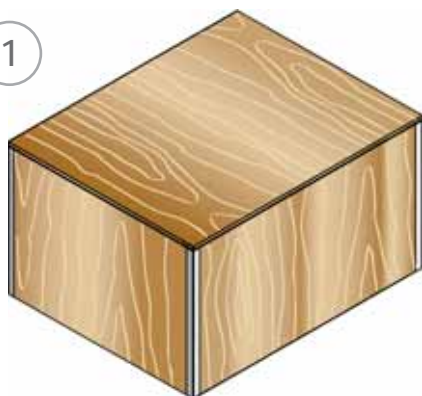
Ø 2,5 mm  
Ø 3 mm  
Ø 4,5 mm



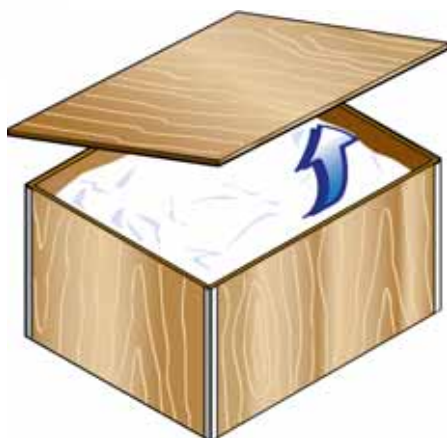
Ø 8 x 120 mm  
Ø 12 x 120 mm  
Ø 14 x 150 mm



1

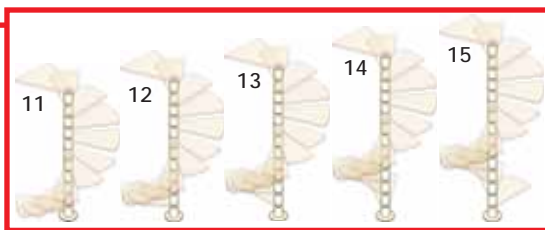
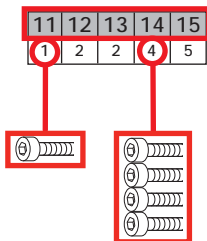



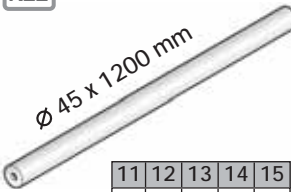
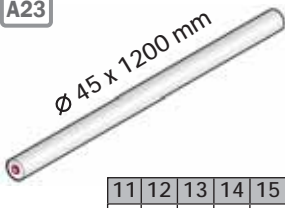









2



3





|   |    |    |    |    |    |   |   |   |   |   |   |    |    |    |    |    |       |    |    |    |    |  |       |    |    |    |    |       |       |    |    |    |    |       |  |    |    |    |    |       |    |    |    |    |    |
|---|----|----|----|----|----|---|---|---|---|---|---|----|----|----|----|----|-------|----|----|----|----|--|-------|----|----|----|----|-------|-------|----|----|----|----|-------|--|----|----|----|----|-------|----|----|----|----|----|
| <p><b>A21</b> ↔ <b>A37</b></p>  <table border="1"> <tr><td>11</td><td>12</td><td>13</td><td>14</td><td>15</td></tr> <tr><td>3</td><td>3</td><td>3</td><td>3</td><td>3</td></tr> </table>               | 11 | 12 | 13 | 14 | 15 | 3 | 3 | 3 | 3 | 3 | <p><b>A22</b></p>  <table border="1"> <tr><td>11</td><td>12</td><td>13</td><td>14</td><td>15</td></tr> <tr><td>4</td><td>5</td><td>5</td><td>6</td><td>6</td></tr> </table>  | 11 | 12 | 13 | 14 | 15 | 4     | 5  | 5  | 6  | 6  | <p><b>A23</b></p>  <table border="1"> <tr><td>11</td><td>12</td><td>13</td><td>14</td><td>15</td></tr> <tr><td>1</td><td>1</td><td>1</td><td>1</td><td>1</td></tr> </table>  | 11    | 12 | 13 | 14 | 15 | 1     | 1     | 1  | 1  | 1  |    |       |  |    |    |    |    |       |    |    |    |    |    |
| 11  | 12 | 13 | 14 | 15 |    |   |   |   |   |   |   |    |    |    |    |    |       |    |    |    |    |  |       |    |    |    |    |       |       |    |    |    |    |       |  |    |    |    |    |       |    |    |    |    |    |
| 3   | 3  | 3  | 3  | 3  |    |   |   |   |   |   |   |    |    |    |    |    |       |    |    |    |    |  |       |    |    |    |    |       |       |    |    |    |    |       |  |    |    |    |    |       |    |    |    |    |    |
| 11  | 12 | 13 | 14 | 15 |    |   |   |   |   |   |   |    |    |    |    |    |       |    |    |    |    |  |       |    |    |    |    |       |       |    |    |    |    |       |  |    |    |    |    |       |    |    |    |    |    |
| 4   | 5  | 5  | 6  | 6  |    |   |   |   |   |   |   |    |    |    |    |    |       |    |    |    |    |  |       |    |    |    |    |       |       |    |    |    |    |       |  |    |    |    |    |       |    |    |    |    |    |
| 11  | 12 | 13 | 14 | 15 |    |   |   |   |   |   |   |    |    |    |    |    |       |    |    |    |    |  |       |    |    |    |    |       |       |    |    |    |    |       |  |    |    |    |    |       |    |    |    |    |    |
| 1   | 1  | 1  | 1  | 1  |    |   |   |   |   |   |   |    |    |    |    |    |       |    |    |    |    |  |       |    |    |    |    |       |       |    |    |    |    |       |  |    |    |    |    |       |    |    |    |    |    |
| <p><b>A24</b> ↔ <b>A36</b></p>  <table border="1"> <tr><td>11</td><td>12</td><td>13</td><td>14</td><td>15</td></tr> <tr><td>2</td><td>2</td><td>2</td><td>2</td><td>2</td></tr> </table>               | 11 | 12 | 13 | 14 | 15 | 2 | 2 | 2 | 2 | 2 | <p><b>B02</b></p>  <table border="1"> <tr><td>11</td><td>12</td><td>13</td><td>14</td><td>15</td></tr> <tr><td>Ø 110</td><td>54</td><td>58</td><td>62</td><td>66</td><td>70</td></tr> <tr><td>Ø 130</td><td>55</td><td>59</td><td>63</td><td>67</td><td>71</td></tr> <tr><td>Ø 150</td><td>56</td><td>60</td><td>64</td><td>68</td><td>72</td></tr> </table> | 11 | 12 | 13 | 14 | 15 | Ø 110 | 54 | 58 | 62 | 66 | 70   | Ø 130 | 55 | 59 | 63 | 67 | 71    | Ø 150 | 56 | 60 | 64 | 68 | 72    | <p><b>B03</b></p>  <table border="1"> <tr><td>11</td><td>12</td><td>13</td><td>14</td><td>15</td></tr> <tr><td>1</td><td>1</td><td>1</td><td>1</td><td>1</td></tr> </table> | 11 | 12 | 13 | 14 | 15    | 1  | 1  | 1  | 1  | 1  |
| 11  | 12 | 13 | 14 | 15 |    |   |   |   |   |   |   |    |    |    |    |    |       |    |    |    |    |  |       |    |    |    |    |       |       |    |    |    |    |       |  |    |    |    |    |       |    |    |    |    |    |
| 2   | 2  | 2  | 2  | 2  |    |   |   |   |   |   |   |    |    |    |    |    |       |    |    |    |    |  |       |    |    |    |    |       |       |    |    |    |    |       |  |    |    |    |    |       |    |    |    |    |    |
| 11  | 12 | 13 | 14 | 15 |    |   |   |   |   |   |   |    |    |    |    |    |       |    |    |    |    |  |       |    |    |    |    |       |       |    |    |    |    |       |  |    |    |    |    |       |    |    |    |    |    |
| Ø 110   | 54 | 58 | 62 | 66 | 70 |   |   |   |   |   |   |    |    |    |    |    |       |    |    |    |    |  |       |    |    |    |    |       |       |    |    |    |    |       |  |    |    |    |    |       |    |    |    |    |    |
| Ø 130   | 55 | 59 | 63 | 67 | 71 |   |   |   |   |   |   |    |    |    |    |    |       |    |    |    |    |  |       |    |    |    |    |       |       |    |    |    |    |       |  |    |    |    |    |       |    |    |    |    |    |
| Ø 150   | 56 | 60 | 64 | 68 | 72 |   |   |   |   |   |   |    |    |    |    |    |       |    |    |    |    |  |       |    |    |    |    |       |       |    |    |    |    |       |  |    |    |    |    |       |    |    |    |    |    |
| 11  | 12 | 13 | 14 | 15 |    |   |   |   |   |   |   |    |    |    |    |    |       |    |    |    |    |  |       |    |    |    |    |       |       |    |    |    |    |       |  |    |    |    |    |       |    |    |    |    |    |
| 1   | 1  | 1  | 1  | 1  |    |   |   |   |   |   |   |    |    |    |    |    |       |    |    |    |    |  |       |    |    |    |    |       |       |    |    |    |    |       |  |    |    |    |    |       |    |    |    |    |    |
| <p><b>B04</b></p>  <p>20,4 x 40 x 2,5 mm</p> <table border="1"> <tr><td>11</td><td>12</td><td>13</td><td>14</td><td>15</td></tr> <tr><td>1</td><td>1</td><td>1</td><td>1</td><td>1</td></tr> </table> | 11 | 12 | 13 | 14 | 15 | 1 | 1 | 1 | 1 | 1 | <p><b>B05</b></p>  <table border="1"> <tr><td>11</td><td>12</td><td>13</td><td>14</td><td>15</td></tr> <tr><td>1</td><td>1</td><td>1</td><td>1</td><td>1</td></tr> </table>   | 11 | 12 | 13 | 14 | 15 | 1     | 1  | 1  | 1  | 1  | <p><b>B12</b></p>  <p>Ø 8 mm</p> <table border="1"> <tr><td>11</td><td>12</td><td>13</td><td>14</td><td>15</td></tr> <tr><td>Ø 110</td><td>7</td><td>7</td><td>7</td><td>7</td><td>7</td></tr> <tr><td>Ø 130</td><td>7</td><td>7</td><td>7</td><td>7</td><td>7</td></tr> <tr><td>Ø 150</td><td>10</td><td>10</td><td>10</td><td>10</td><td>10</td></tr> </table> | 11    | 12 | 13 | 14 | 15 | Ø 110 | 7     | 7  | 7  | 7  | 7  | Ø 130 | 7  | 7  | 7  | 7  | 7  | Ø 150 | 10 | 10 | 10 | 10 | 10 |
| 11  | 12 | 13 | 14 | 15 |    |   |   |   |   |   |   |    |    |    |    |    |       |    |    |    |    |  |       |    |    |    |    |       |       |    |    |    |    |       |  |    |    |    |    |       |    |    |    |    |    |
| 1   | 1  | 1  | 1  | 1  |    |   |   |   |   |   |   |    |    |    |    |    |       |    |    |    |    |  |       |    |    |    |    |       |       |    |    |    |    |       |  |    |    |    |    |       |    |    |    |    |    |
| 11  | 12 | 13 | 14 | 15 |    |   |   |   |   |   |   |    |    |    |    |    |       |    |    |    |    |  |       |    |    |    |    |       |       |    |    |    |    |       |  |    |    |    |    |       |    |    |    |    |    |
| 1   | 1  | 1  | 1  | 1  |    |   |   |   |   |   |   |    |    |    |    |    |       |    |    |    |    |  |       |    |    |    |    |       |       |    |    |    |    |       |  |    |    |    |    |       |    |    |    |    |    |
| 11  | 12 | 13 | 14 | 15 |    |   |   |   |   |   |   |    |    |    |    |    |       |    |    |    |    |  |       |    |    |    |    |       |       |    |    |    |    |       |  |    |    |    |    |       |    |    |    |    |    |
| Ø 110   | 7  | 7  | 7  | 7  | 7  |   |   |   |   |   |   |    |    |    |    |    |       |    |    |    |    |  |       |    |    |    |    |       |       |    |    |    |    |       |  |    |    |    |    |       |    |    |    |    |    |
| Ø 130   | 7  | 7  | 7  | 7  | 7  |   |   |   |   |   |   |    |    |    |    |    |       |    |    |    |    |  |       |    |    |    |    |       |       |    |    |    |    |       |  |    |    |    |    |       |    |    |    |    |    |
| Ø 150   | 10 | 10 | 10 | 10 | 10 |   |   |   |   |   |   |    |    |    |    |    |       |    |    |    |    |  |       |    |    |    |    |       |       |    |    |    |    |       |  |    |    |    |    |       |    |    |    |    |    |
| <p><b>B13</b></p>  <p>M8 mm</p> <table border="1"> <tr><td>11</td><td>12</td><td>13</td><td>14</td><td>15</td></tr> <tr><td>6</td><td>6</td><td>6</td><td>6</td><td>6</td></tr> </table>             | 11 | 12 | 13 | 14 | 15 | 6 | 6 | 6 | 6 | 6 | <p><b>B17</b></p>  <p>M20 x 40 mm</p> <table border="1"> <tr><td>11</td><td>12</td><td>13</td><td>14</td><td>15</td></tr> <tr><td>1</td><td>1</td><td>1</td><td>1</td><td>1</td></tr> </table>   | 11 | 12 | 13 | 14 | 15 | 1     | 1  | 1  | 1  | 1  | <p><b>B23</b></p>  <p>M8 mm</p> <table border="1"> <tr><td>11</td><td>12</td><td>13</td><td>14</td><td>15</td></tr> <tr><td>2</td><td>2</td><td>2</td><td>2</td><td>2</td></tr> </table>  | 11    | 12 | 13 | 14 | 15 | 2     | 2     | 2  | 2  | 2  |    |       |  |    |    |    |    |       |    |    |    |    |    |
| 11  | 12 | 13 | 14 | 15 |    |   |   |   |   |   |   |    |    |    |    |    |       |    |    |    |    |  |       |    |    |    |    |       |       |    |    |    |    |       |  |    |    |    |    |       |    |    |    |    |    |
| 6   | 6  | 6  | 6  | 6  |    |   |   |   |   |   |   |    |    |    |    |    |       |    |    |    |    |  |       |    |    |    |    |       |       |    |    |    |    |       |  |    |    |    |    |       |    |    |    |    |    |
| 11  | 12 | 13 | 14 | 15 |    |   |   |   |   |   |   |    |    |    |    |    |       |    |    |    |    |  |       |    |    |    |    |       |       |    |    |    |    |       |  |    |    |    |    |       |    |    |    |    |    |
| 1   | 1  | 1  | 1  | 1  |    |   |   |   |   |   |   |    |    |    |    |    |       |    |    |    |    |  |       |    |    |    |    |       |       |    |    |    |    |       |  |    |    |    |    |       |    |    |    |    |    |
| 11  | 12 | 13 | 14 | 15 |    |   |   |   |   |   |   |    |    |    |    |    |       |    |    |    |    |  |       |    |    |    |    |       |       |    |    |    |    |       |  |    |    |    |    |       |    |    |    |    |    |
| 2   | 2  | 2  | 2  | 2  |    |   |   |   |   |   |   |    |    |    |    |    |       |    |    |    |    |  |       |    |    |    |    |       |       |    |    |    |    |       |  |    |    |    |    |       |    |    |    |    |    |

**B27**

8 x 17 x 1,5 mm

|    |    |    |    |    |
|----|----|----|----|----|
| 11 | 12 | 13 | 14 | 15 |
| 2  | 2  | 2  | 2  | 2  |

**B33**

M14 x 43 mm

|    |    |    |    |    |
|----|----|----|----|----|
| 11 | 12 | 13 | 14 | 15 |
| 4  | 5  | 5  | 6  | 6  |

**B46**

|    |    |    |    |    |
|----|----|----|----|----|
| 11 | 12 | 13 | 14 | 15 |
| 2  | 2  | 2  | 2  | 2  |

**B47**

|    |    |    |    |    |
|----|----|----|----|----|
| 11 | 12 | 13 | 14 | 15 |
| 1  | 1  | 1  | 2  | 2  |

**B82**

|    |    |    |    |    |
|----|----|----|----|----|
| 11 | 12 | 13 | 14 | 15 |
| 30 | 33 | 36 | 39 | 42 |

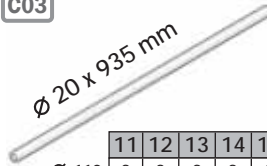
**B95**

|    |    |    |    |    |
|----|----|----|----|----|
| 11 | 12 | 13 | 14 | 15 |
| 3  | 3  | 3  | 3  | 3  |

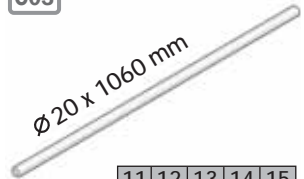
**BB5**

M4,5 x 40 mm

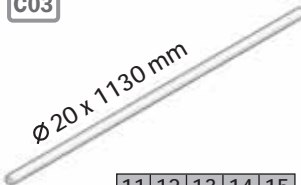
|     |     |     |     |     |
|-----|-----|-----|-----|-----|
| 11  | 12  | 13  | 14  | 15  |
| 123 | 135 | 147 | 159 | 171 |

**C03**

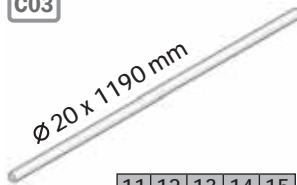
|       |    |    |    |    |
|-------|----|----|----|----|
| 11    | 12 | 13 | 14 | 15 |
| Ø 110 | 8  | 8  | 8  | 8  |
| Ø 130 | 9  | 9  | 9  | 9  |
| Ø 150 | 10 | 10 | 10 | 10 |

**C03**

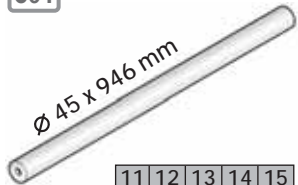
|    |    |    |    |    |
|----|----|----|----|----|
| 11 | 12 | 13 | 14 | 15 |
| 10 | 11 | 12 | 13 | 14 |

**C03**

|    |    |    |    |    |
|----|----|----|----|----|
| 11 | 12 | 13 | 14 | 15 |
| 10 | 11 | 12 | 13 | 14 |

**C03**

|    |    |    |    |    |
|----|----|----|----|----|
| 11 | 12 | 13 | 14 | 15 |
| 11 | 12 | 13 | 14 | 15 |

**C04**

|    |    |    |    |    |
|----|----|----|----|----|
| 11 | 12 | 13 | 14 | 15 |
| 1  | 1  | 1  | 1  | 1  |

**C49**

M6 mm

|       |    |    |    |    |
|-------|----|----|----|----|
| 11    | 12 | 13 | 14 | 15 |
| Ø 110 | 2  | 2  | 2  | 2  |
| Ø 130 | 2  | 2  | 2  | 2  |
| Ø 150 | 3  | 3  | 3  | 3  |

**C50**

M6 x 25 mm

|       |    |    |    |    |
|-------|----|----|----|----|
| 11    | 12 | 13 | 14 | 15 |
| Ø 110 | 2  | 2  | 2  | 2  |
| Ø 130 | 2  | 2  | 2  | 2  |
| Ø 150 | 3  | 3  | 3  | 3  |

**C58**

M6,4 x 40 mm

|       |    |    |    |    |
|-------|----|----|----|----|
| 11    | 12 | 13 | 14 | 15 |
| Ø 110 | 21 | 21 | 21 | 21 |
| Ø 130 | 22 | 22 | 22 | 22 |
| Ø 150 | 26 | 26 | 26 | 26 |

**C63**

|       | 11 | 12 | 13 | 14 | 15 |
|-------|----|----|----|----|----|
| ∅ 110 | 39 | 42 | 45 | 48 | 51 |
| ∅ 130 | 40 | 43 | 46 | 49 | 52 |
| ∅ 150 | 41 | 44 | 47 | 50 | 53 |

**C64**

M3,5 x 38 mm

|       | 11 | 12 | 13  | 14  | 15  |
|-------|----|----|-----|-----|-----|
| ∅ 110 | 84 | 90 | 96  | 102 | 108 |
| ∅ 130 | 86 | 92 | 98  | 104 | 110 |
| ∅ 150 | 88 | 94 | 100 | 106 | 112 |

**C65**

M4 mm

|       | 11 | 12 | 13 | 14 | 15 |
|-------|----|----|----|----|----|
| ∅ 110 | 39 | 42 | 45 | 48 | 51 |
| ∅ 130 | 40 | 43 | 46 | 49 | 52 |
| ∅ 150 | 41 | 44 | 47 | 50 | 53 |

**C66**

M4 x 14 mm

|       | 11 | 12 | 13 | 14 | 15 |
|-------|----|----|----|----|----|
| ∅ 110 | 39 | 42 | 45 | 48 | 51 |
| ∅ 130 | 40 | 43 | 46 | 49 | 52 |
| ∅ 150 | 41 | 44 | 47 | 50 | 53 |

**C84**

M8 x 80 mm

|  | 11 | 12 | 13 | 14 | 15 |
|--|----|----|----|----|----|
|  | 2  | 2  | 2  | 2  | 2  |

**C85**

∅ 12 mm

|  | 11 | 12 | 13 | 14 | 15 |
|--|----|----|----|----|----|
|  | 2  | 2  | 2  | 2  | 2  |

**D01**

|  | 11 | 12 | 13 | 14 | 15 |
|--|----|----|----|----|----|
|  | 3  | 4  | 3  | 3  | 3  |

**D35****D72**

|  | 11 | 12 | 13 | 14 | 15 |
|--|----|----|----|----|----|
|  | 4  | 5  | 5  | 6  | 6  |

**D45**

|  | 11 | 12 | 13 | 14 | 15 |
|--|----|----|----|----|----|
|  | 66 | 72 | 78 | 84 | 90 |

**D46**

|  | 11 | 12 | 13 | 14 | 15 |
|--|----|----|----|----|----|
|  | 1  | 1  | 1  | 1  | 1  |

**D47**

|  | 11 | 12 | 13 | 14 | 15 |
|--|----|----|----|----|----|
|  | 11 | 12 | 13 | 14 | 15 |

**E06**

|  | 11 | 12 | 13 | 14 | 15 |
|--|----|----|----|----|----|
|  | 1  | 1  | 1  | 1  | 1  |

**F01**

|       | 11 | 12 | 13 | 14 | 15 |
|-------|----|----|----|----|----|
| ∅ 110 | 9  | 9  | 9  | 9  | 9  |
| ∅ 130 | 10 | 10 | 10 | 10 | 10 |
| ∅ 150 | 11 | 11 | 11 | 11 | 11 |

**F07**

|  | 11 | 12 | 13 | 14 | 15 |
|--|----|----|----|----|----|
|  | 1  | 1  | 1  | 1  | 1  |

**F08**

|       | 11 | 12 | 13 | 14 | 15 |
|-------|----|----|----|----|----|
| ∅ 110 | 2  | 2  | 2  | 2  | 2  |
| ∅ 130 | 2  | 2  | 2  | 2  | 2  |
| ∅ 150 | 3  | 3  | 3  | 3  | 3  |

F09



|       | 11 | 12 | 13 | 14 | 15 |
|-------|----|----|----|----|----|
| ∅ 110 | 2  | 2  | 2  | 2  | 2  |
| ∅ 130 | 2  | 2  | 2  | 2  | 2  |
| ∅ 150 | 3  | 3  | 3  | 3  | 3  |

F12



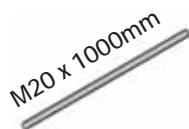
| 11 | 12 | 13 | 14 | 15 |
|----|----|----|----|----|
| 3  | 3  | 3  | 3  | 3  |

F48



| 11 | 12 | 13 | 14 | 15 |
|----|----|----|----|----|
| 41 | 45 | 49 | 53 | 57 |

G01



| 11 | 12 | 13 | 14 | 15 |
|----|----|----|----|----|
| 1  | 1  | 1  | 1  | 1  |

G02



| 11 | 12 | 13 | 14 | 15 |
|----|----|----|----|----|
| 2  | 2  | 2  | 3  | 3  |

G03



| 11 | 12 | 13 | 14 | 15 |
|----|----|----|----|----|
| 1  | 1  | 1  | 1  | 1  |

L34



| 11 | 12 | 13 | 14 | 15 |
|----|----|----|----|----|
| 10 | 11 | 12 | 13 | 14 |

X01

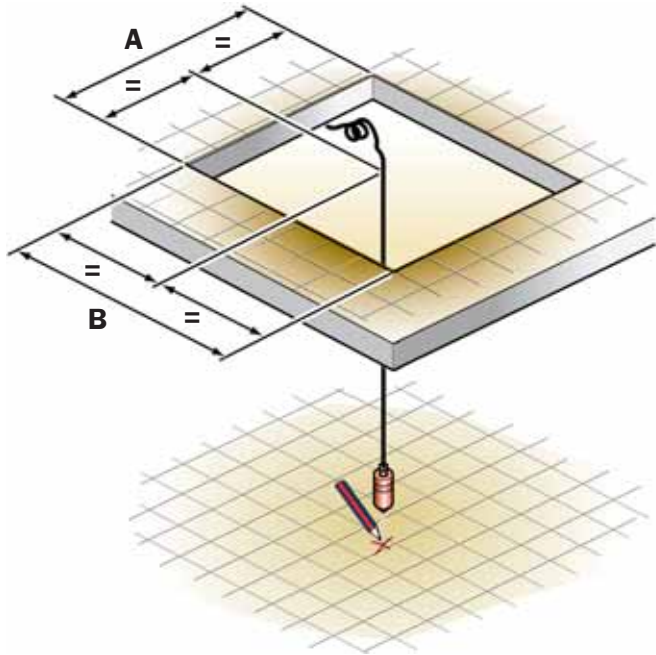


| 11 | 12 | 13 | 14 | 15 |
|----|----|----|----|----|
| 1  | 1  | 1  | 1  | 1  |



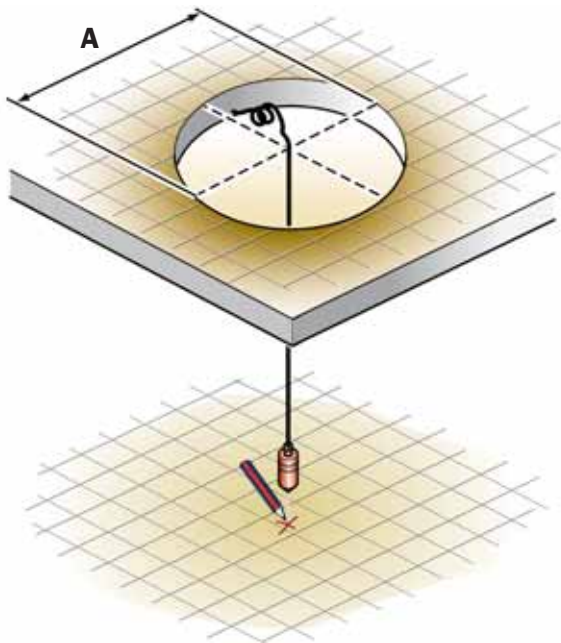
4 a

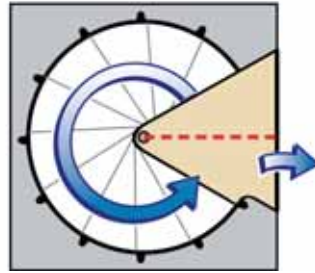
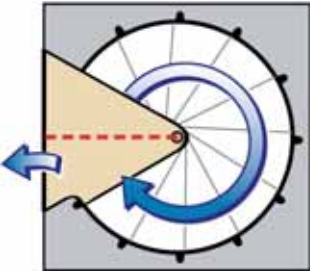
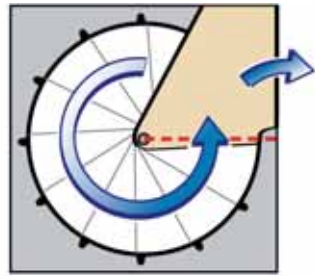
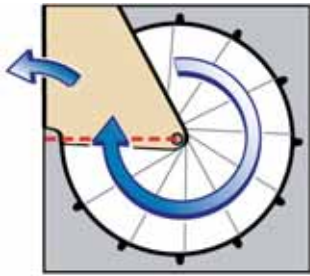
b



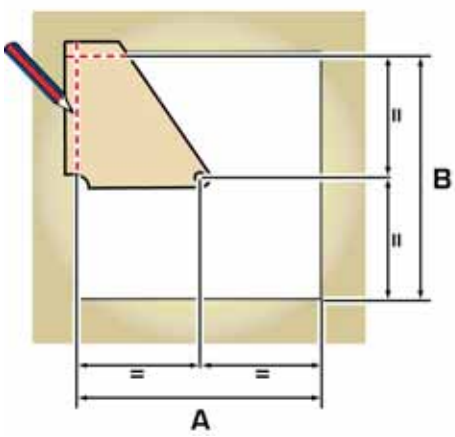
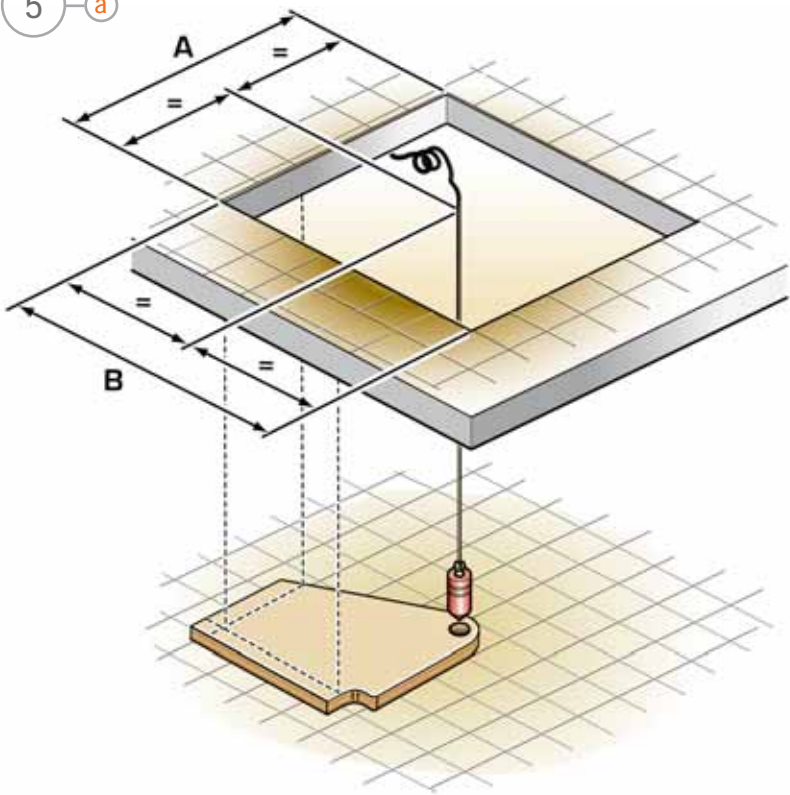
4 c

c



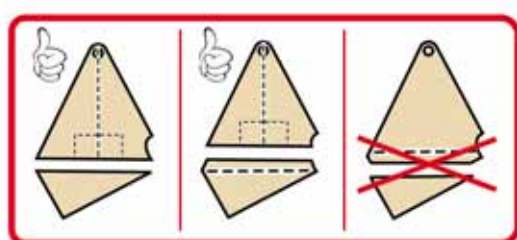
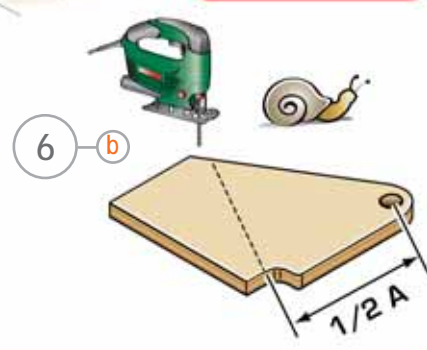
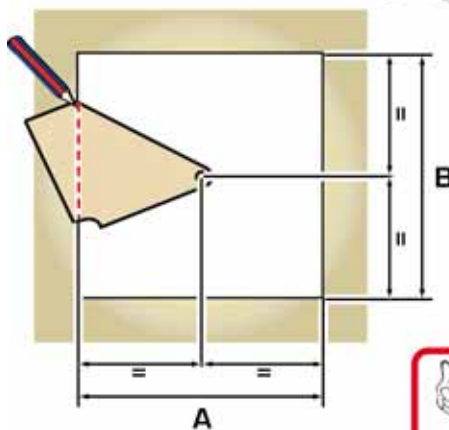
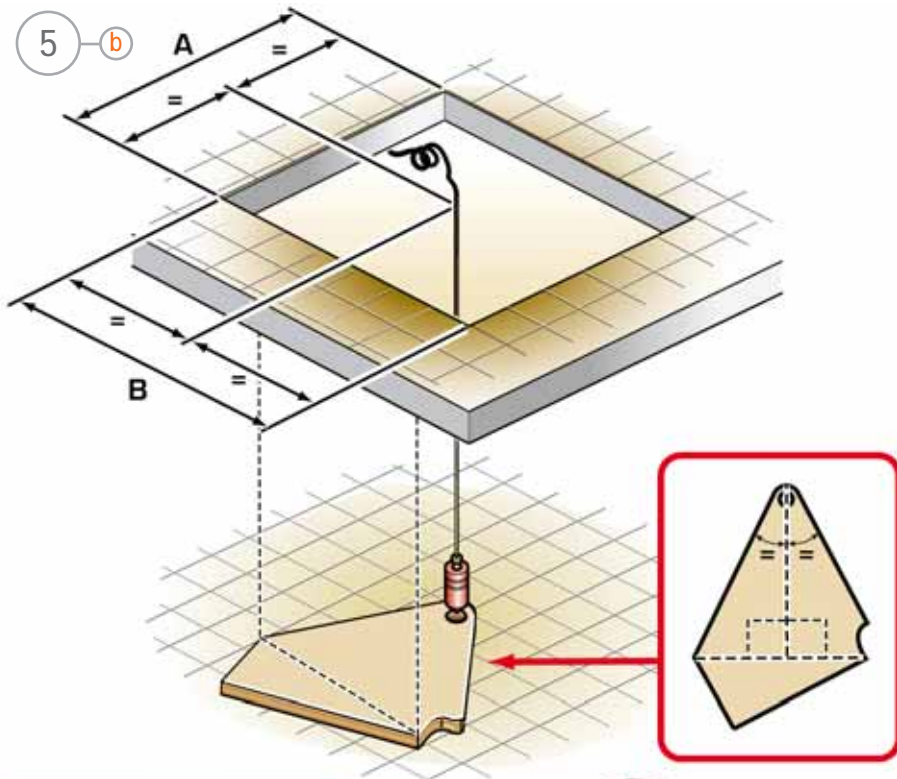


5 a

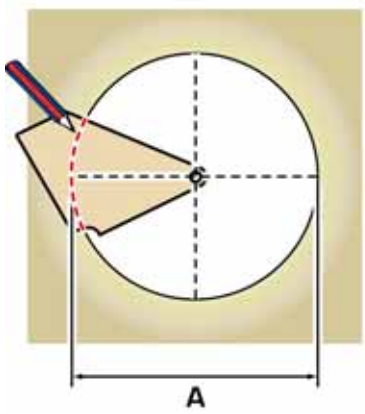
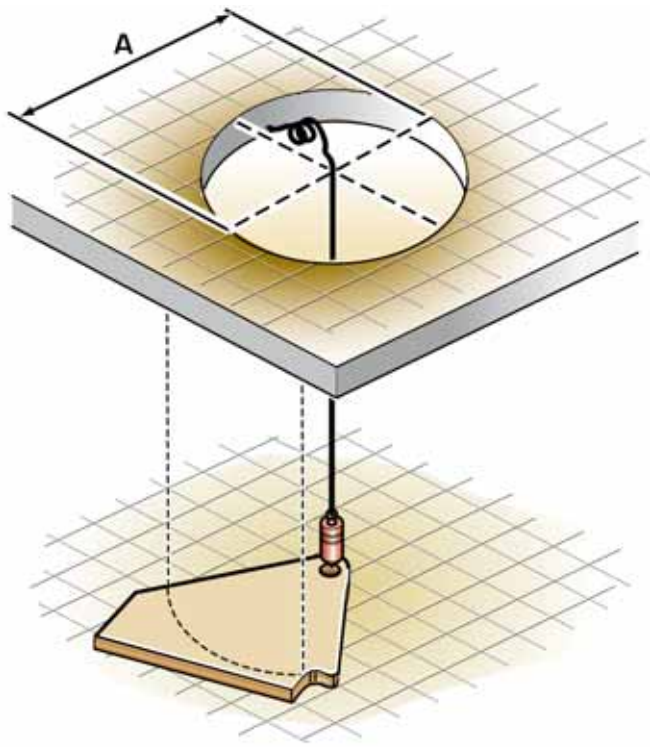


6 a



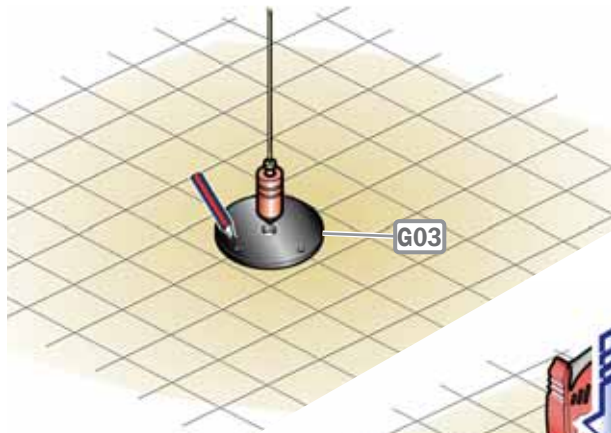


5 c

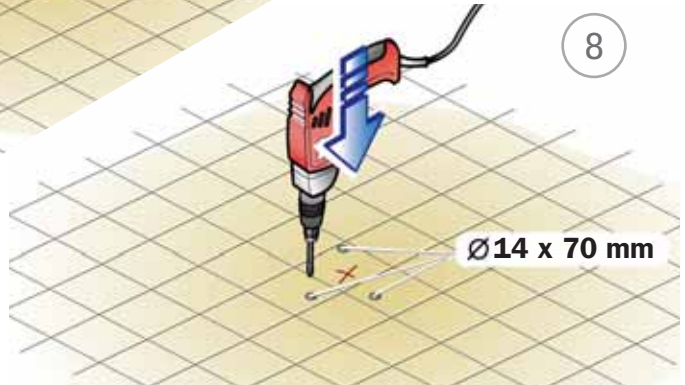


6 c

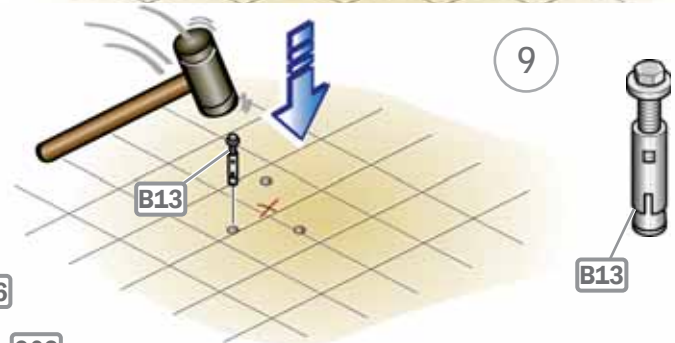




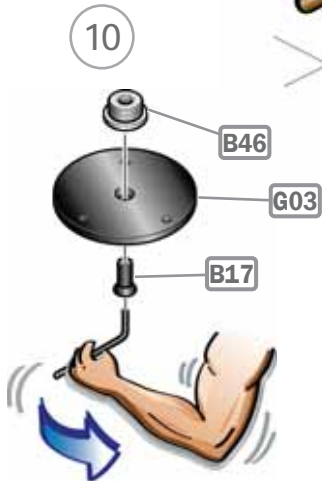
7



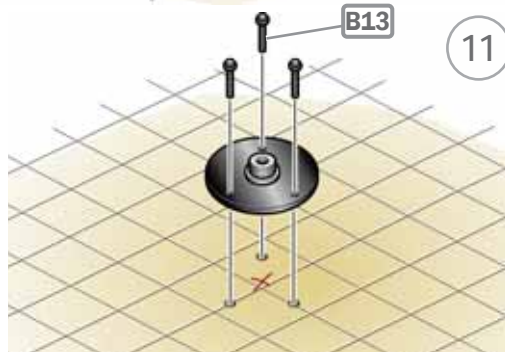
8



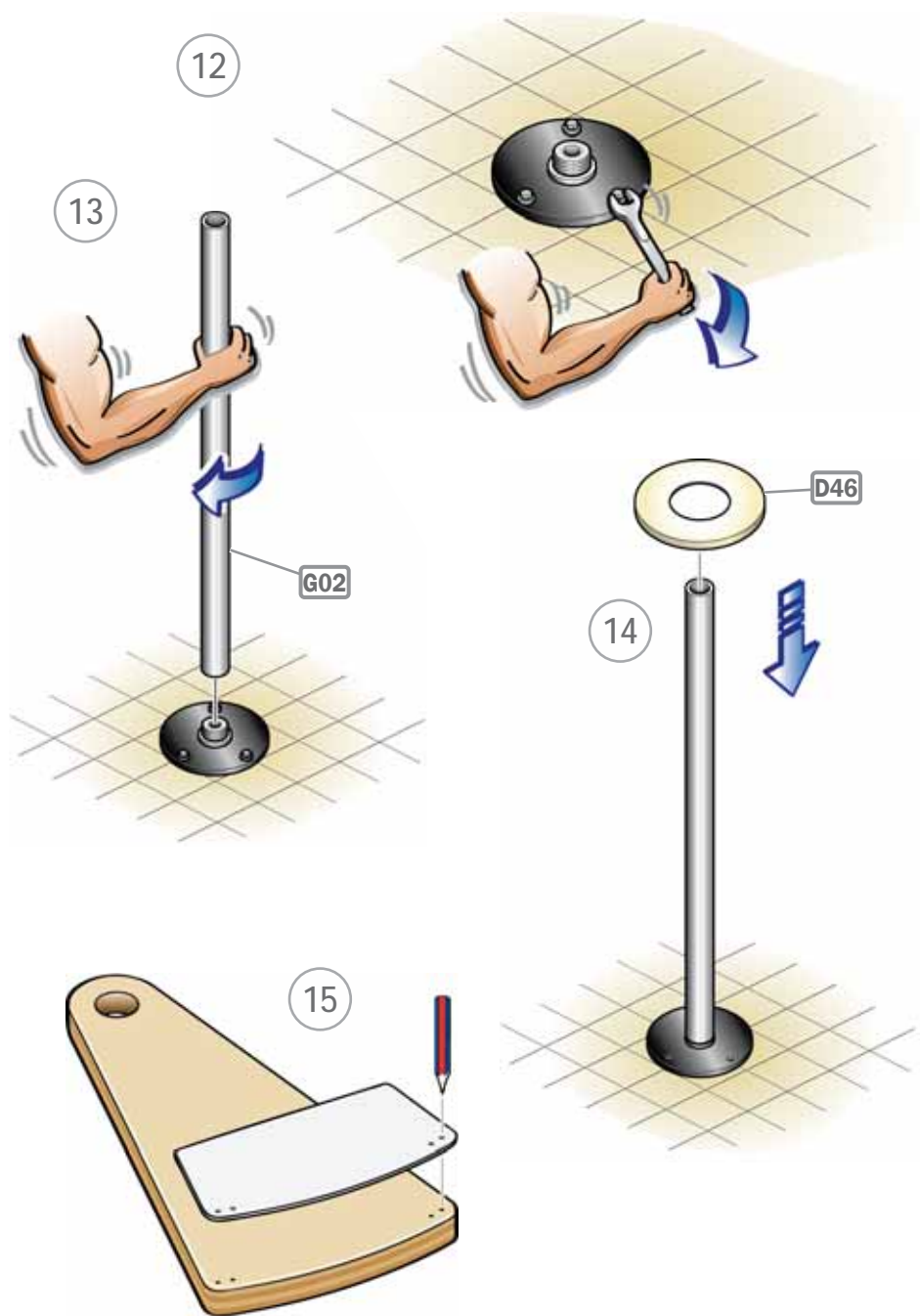
9

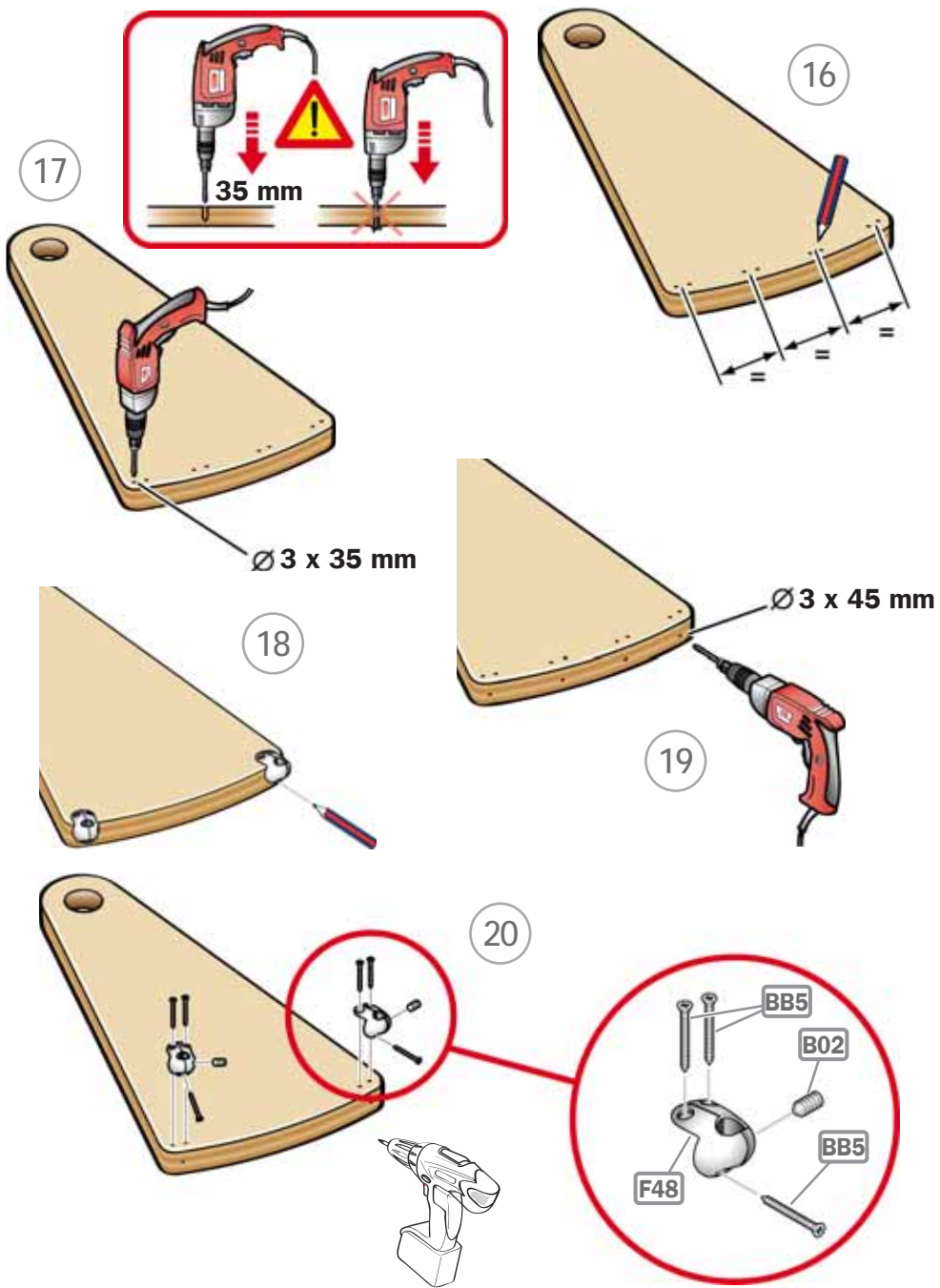


10

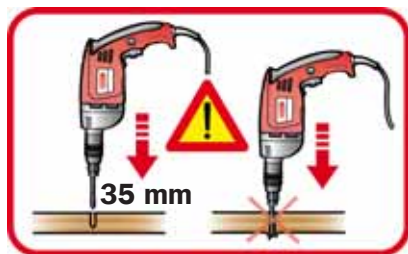
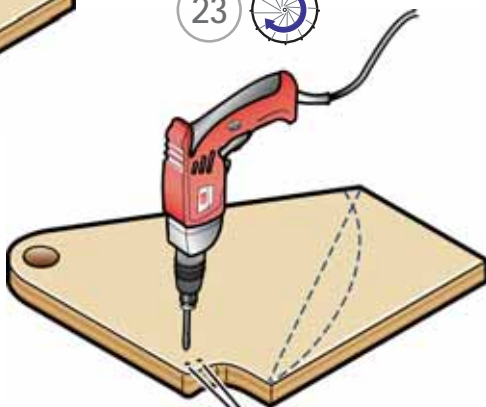
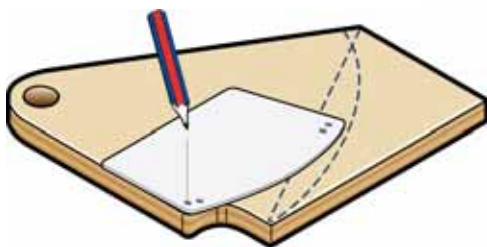
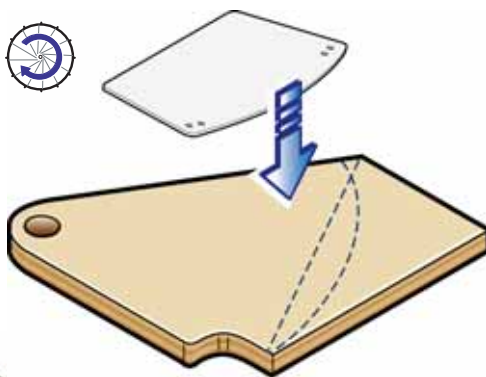
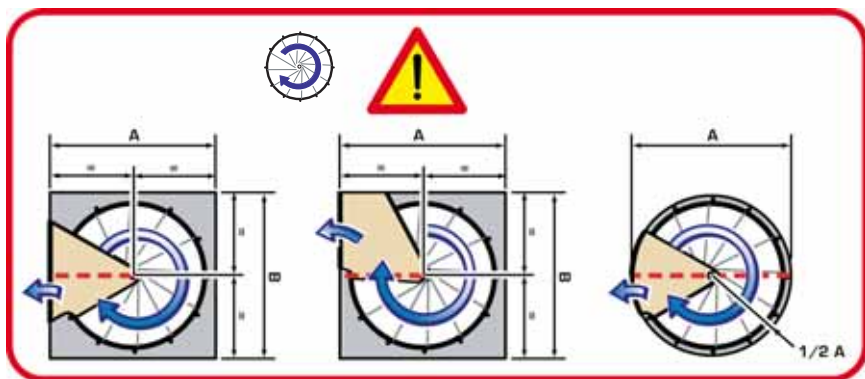


11



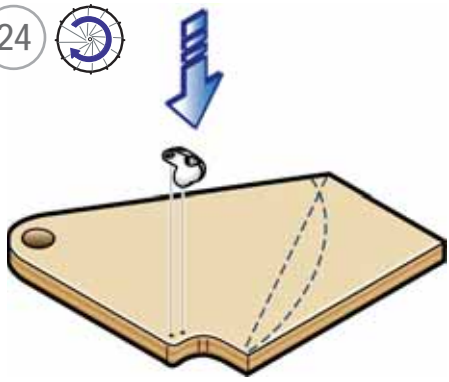




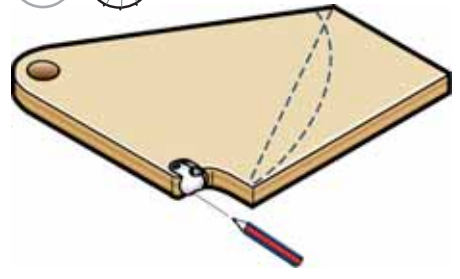


Ø 3 x 35 mm

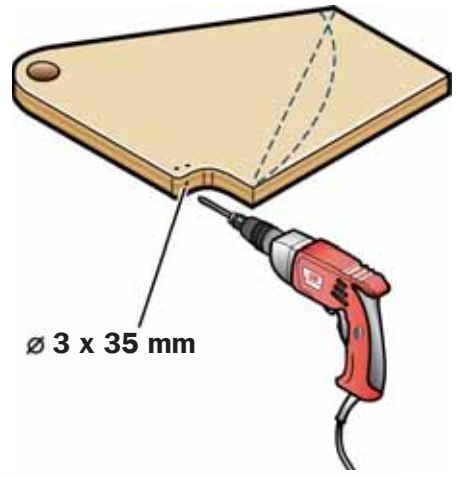
24



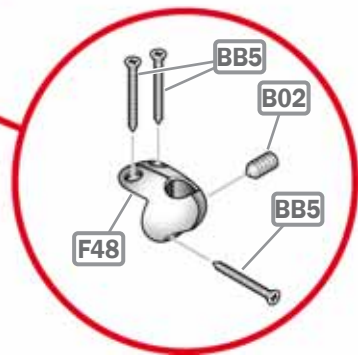
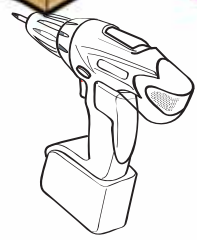
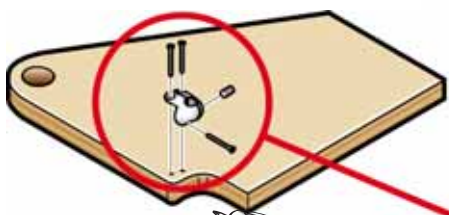
25

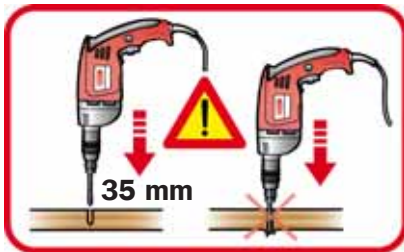
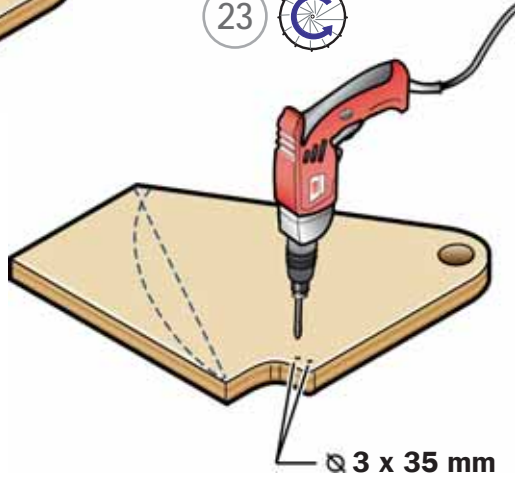
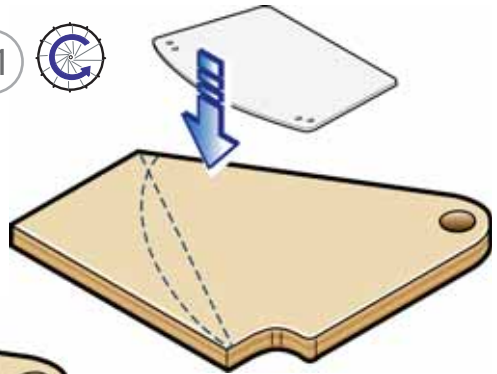
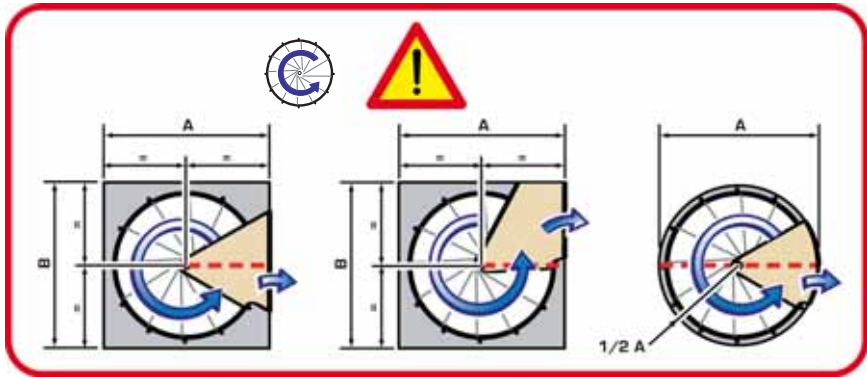


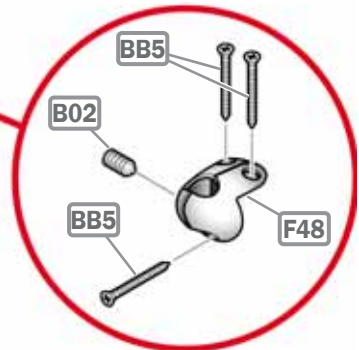
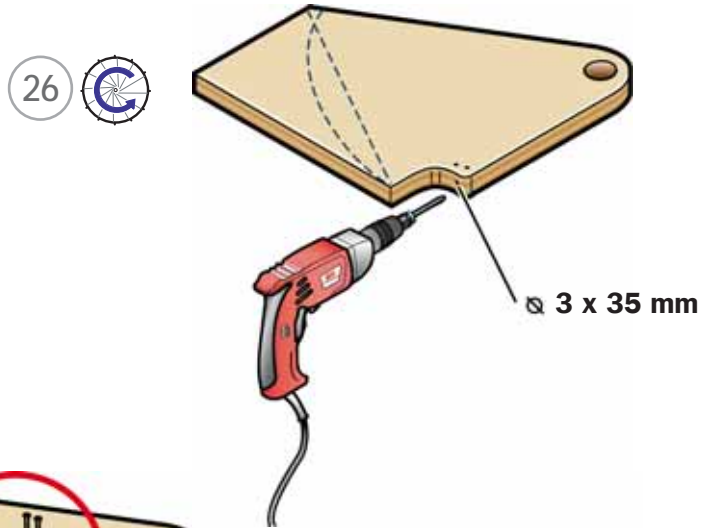
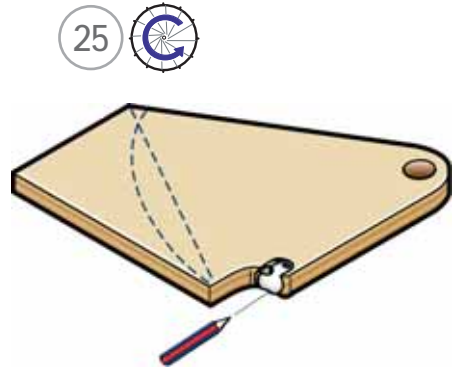
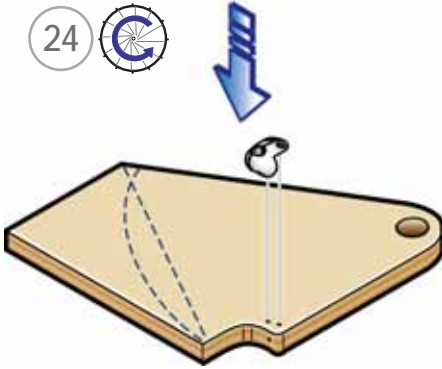
26

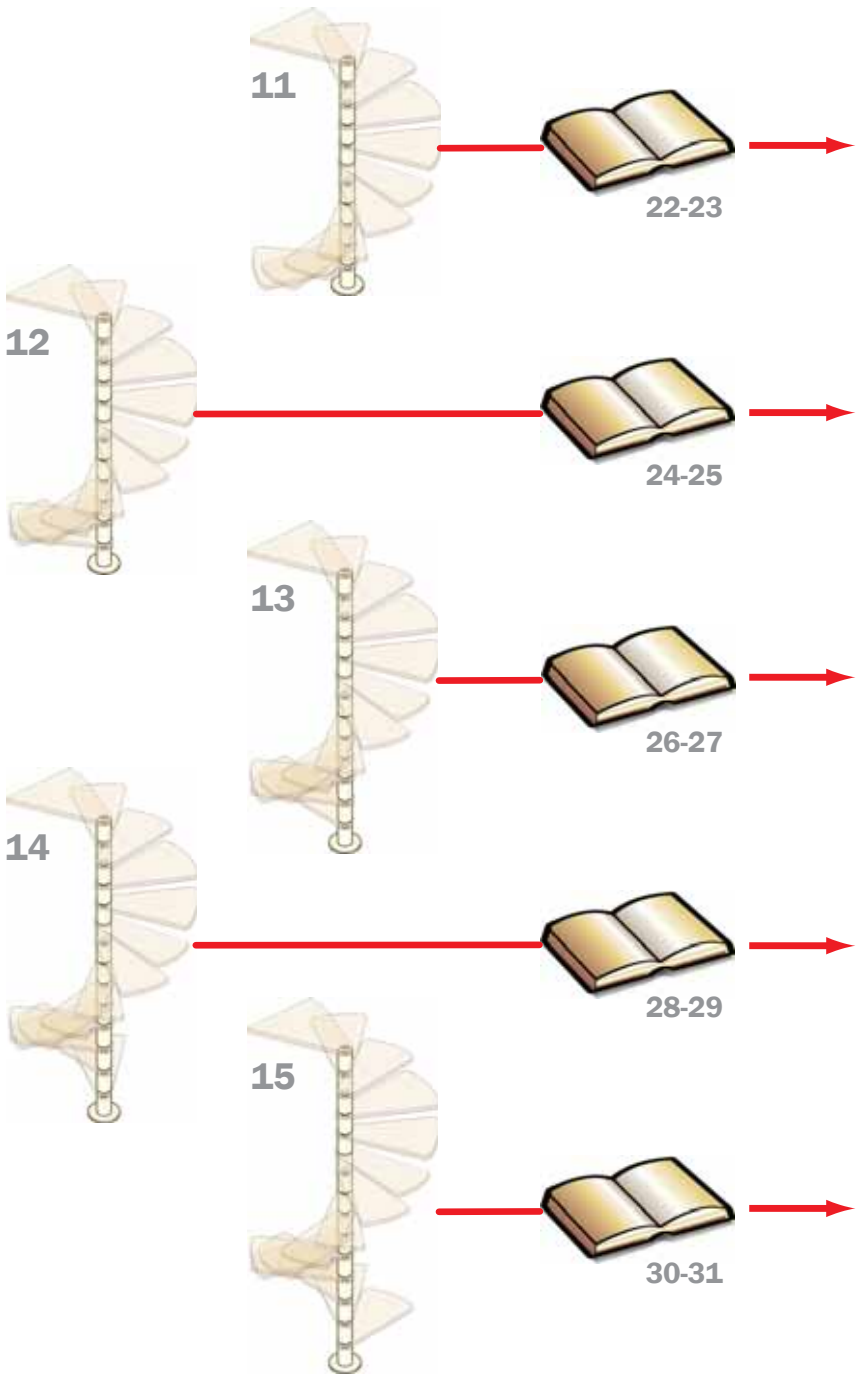


27

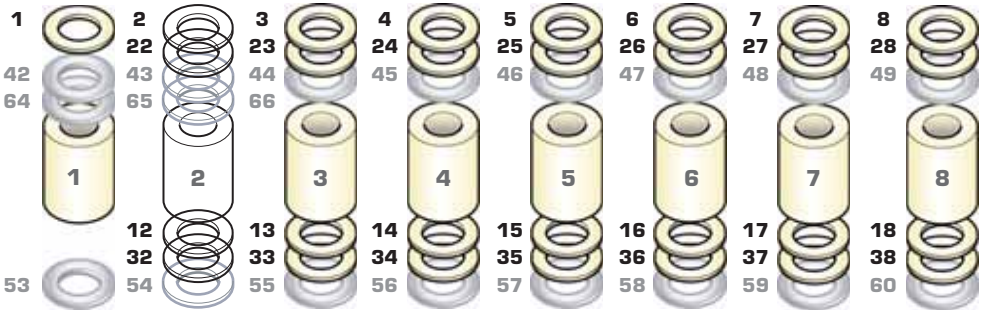
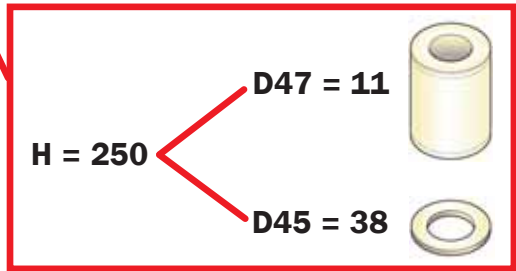
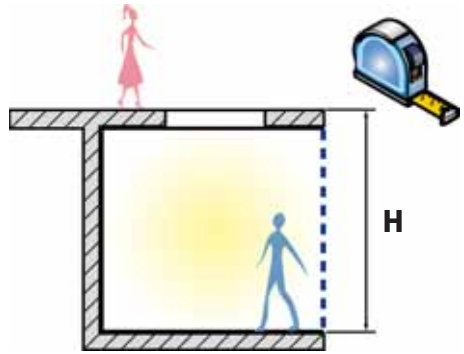


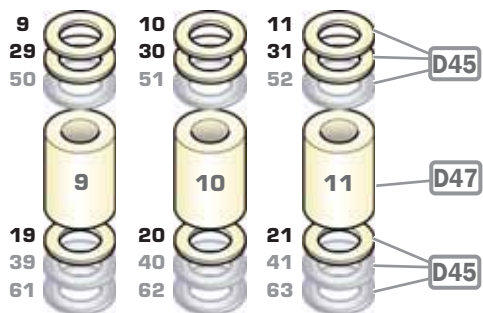
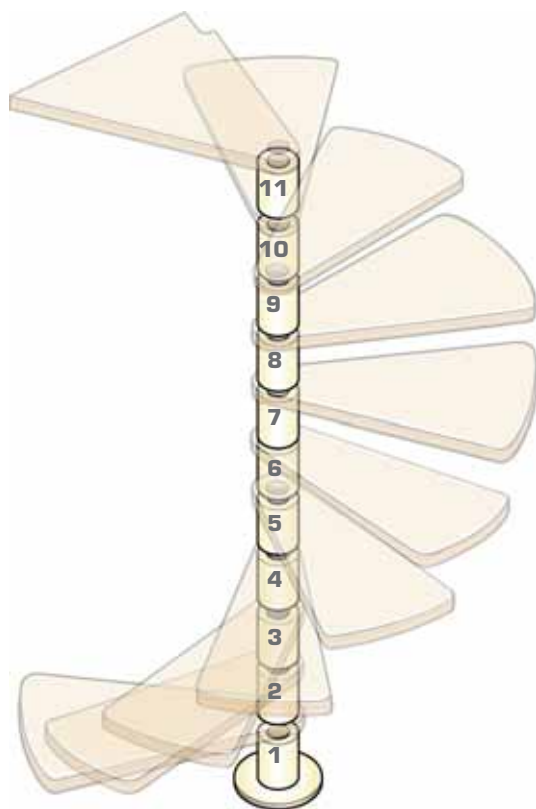




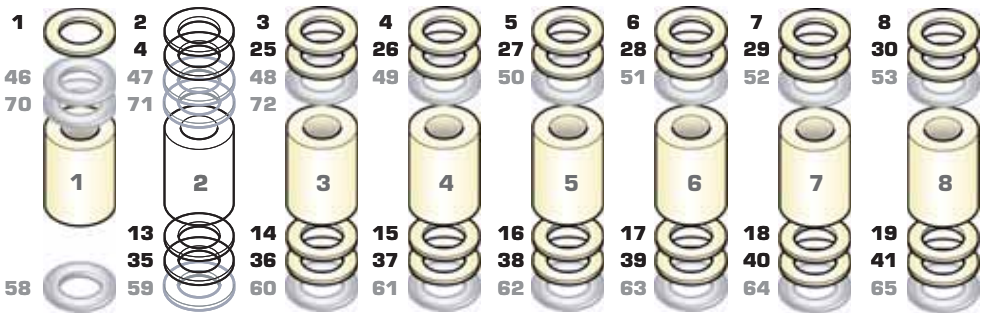
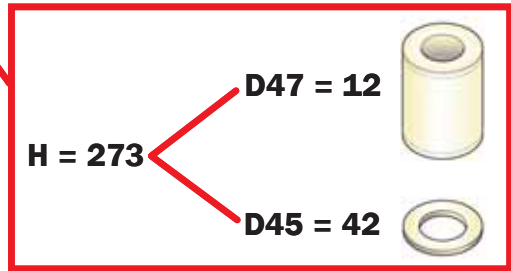
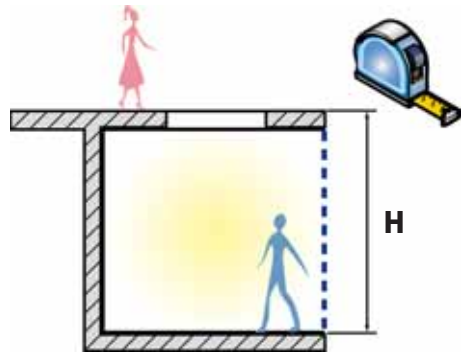


| H          | D47       | D45       |
|------------|-----------|-----------|
| 231        | 11        | 0         |
| 232        | 11        | 2         |
| 233        | 11        | 4         |
| 234        | 11        | 6         |
| 235        | 11        | 8         |
| 236        | 11        | 10        |
| 237        | 11        | 12        |
| 238        | 11        | 14        |
| 239        | 11        | 16        |
| 240        | 11        | 18        |
| 241        | 11        | 20        |
| 242        | 11        | 22        |
| 243        | 11        | 24        |
| 244        | 11        | 26        |
| 245        | 11        | 28        |
| 246        | 11        | 30        |
| 247        | 11        | 32        |
| 248        | 11        | 34        |
| 249        | 11        | 36        |
| <b>250</b> | <b>11</b> | <b>38</b> |
| 251        | 11        | 40        |
| 252        | 11        | 42        |
| 253        | 11        | 44        |
| 254        | 11        | 46        |
| 255        | 11        | 48        |
| 256        | 11        | 50        |
| 257        | 11        | 52        |
| 258        | 11        | 54        |
| 259        | 11        | 59        |
| 260        | 11        | 58        |
| 261        | 11        | 60        |
| 262        | 11        | 62        |
| 263        | 11        | 64        |
| 264        | 11        | 66        |
|            |           |           |
|            |           |           |
|            |           |           |
|            |           |           |
|            |           |           |
|            |           |           |

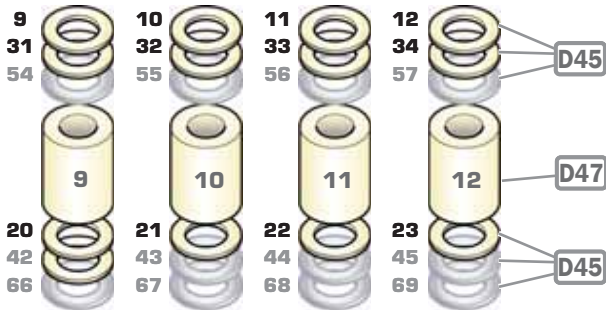
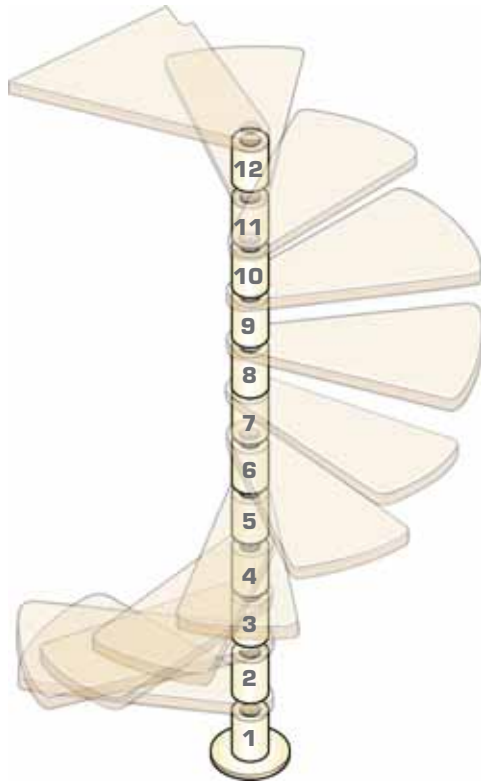




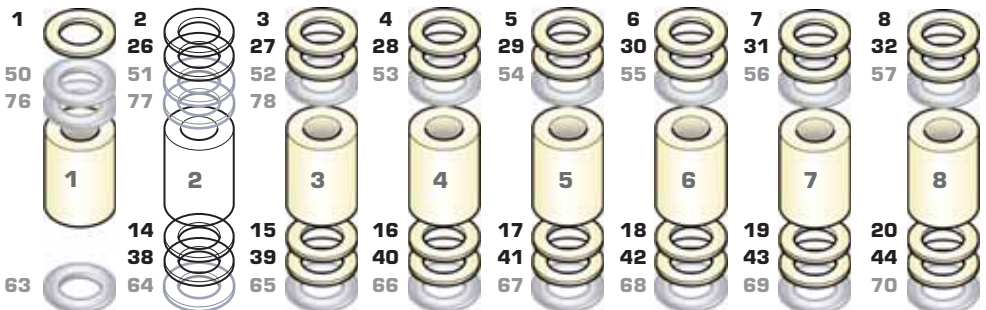
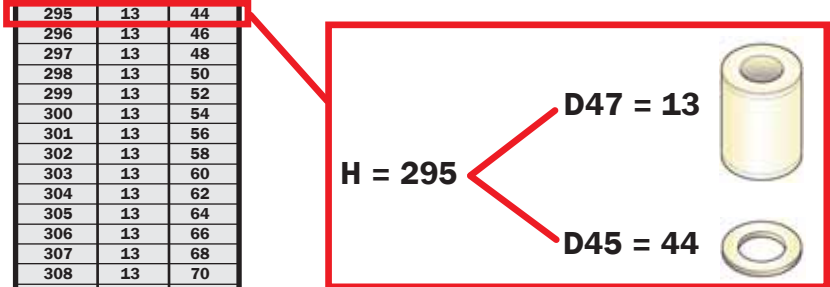
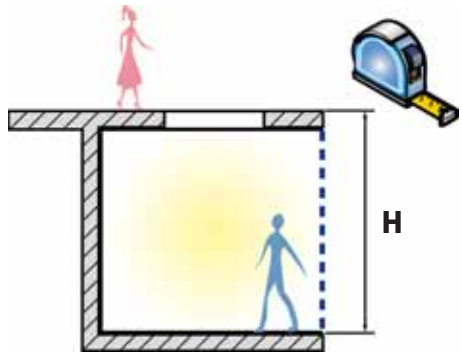
| H   | D47 | D45 |
|-----|-----|-----|
| 252 | 12  | 0   |
| 253 | 12  | 2   |
| 254 | 12  | 4   |
| 255 | 12  | 6   |
| 256 | 12  | 8   |
| 257 | 12  | 10  |
| 258 | 12  | 12  |
| 259 | 12  | 14  |
| 260 | 12  | 16  |
| 261 | 12  | 18  |
| 262 | 12  | 20  |
| 263 | 12  | 22  |
| 264 | 12  | 24  |
| 265 | 12  | 26  |
| 266 | 12  | 28  |
| 267 | 12  | 30  |
| 268 | 12  | 32  |
| 269 | 12  | 34  |
| 270 | 12  | 36  |
| 271 | 12  | 38  |
| 272 | 12  | 40  |
| 273 | 12  | 42  |
| 274 | 12  | 44  |
| 275 | 12  | 46  |
| 276 | 12  | 48  |
| 277 | 12  | 50  |
| 278 | 12  | 52  |
| 279 | 12  | 54  |
| 280 | 12  | 56  |
| 281 | 12  | 58  |
| 282 | 12  | 60  |
| 283 | 12  | 62  |
| 284 | 12  | 64  |
| 285 | 12  | 66  |
| 286 | 12  | 68  |
| 287 | 12  | 70  |
| 288 | 12  | 72  |
|     |     |     |
|     |     |     |
|     |     |     |
|     |     |     |
|     |     |     |
|     |     |     |
|     |     |     |
|     |     |     |
|     |     |     |
|     |     |     |
|     |     |     |
|     |     |     |

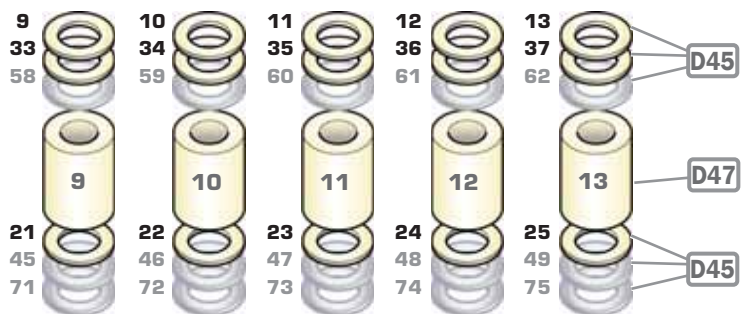
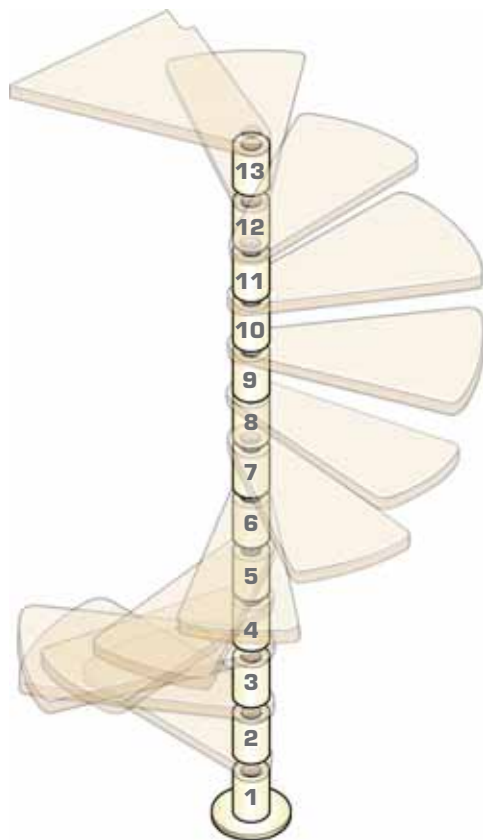




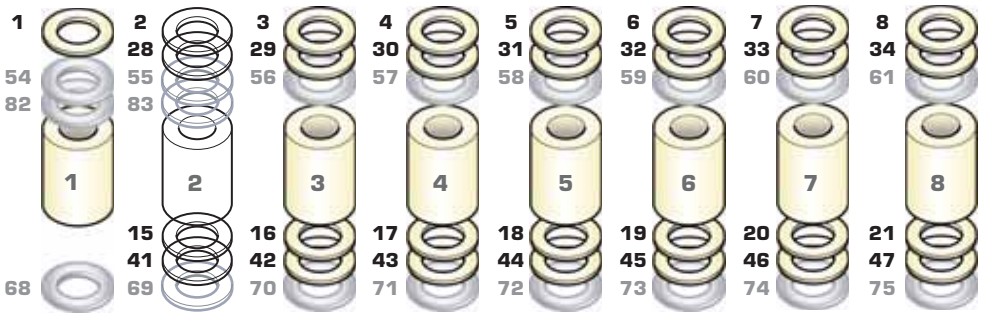
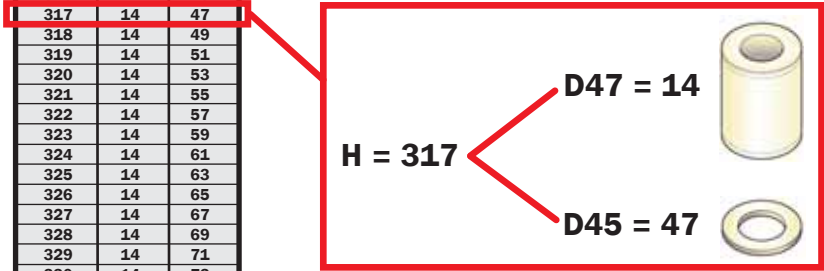
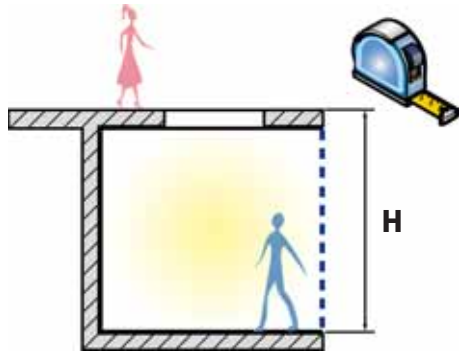


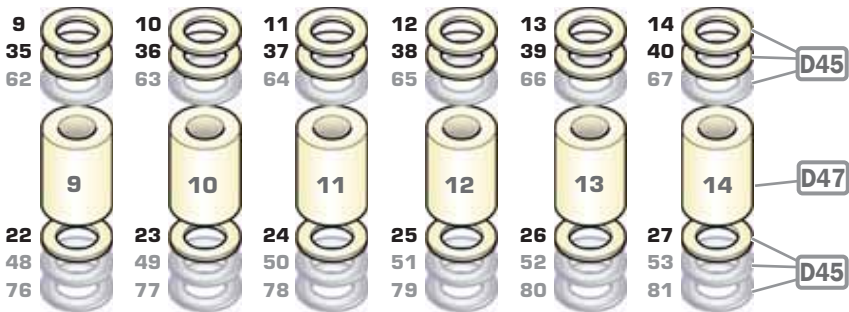
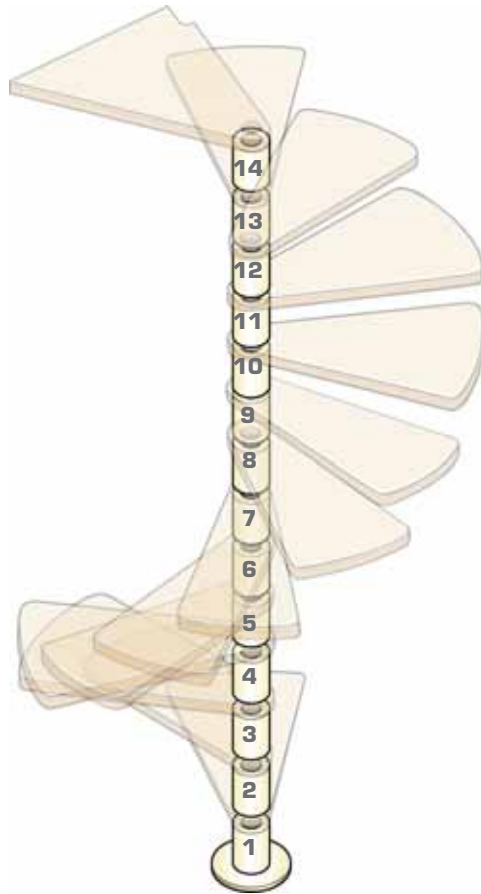
| H   | D47 | D45 |
|-----|-----|-----|
| 273 | 13  | 0   |
| 274 | 13  | 2   |
| 275 | 13  | 4   |
| 276 | 13  | 6   |
| 277 | 13  | 8   |
| 278 | 13  | 10  |
| 279 | 13  | 12  |
| 280 | 13  | 14  |
| 281 | 13  | 16  |
| 282 | 13  | 18  |
| 283 | 13  | 20  |
| 284 | 13  | 22  |
| 285 | 13  | 24  |
| 286 | 13  | 26  |
| 287 | 13  | 28  |
| 288 | 13  | 30  |
| 289 | 13  | 32  |
| 290 | 13  | 34  |
| 291 | 13  | 36  |
| 292 | 13  | 38  |
| 293 | 13  | 40  |
| 294 | 13  | 42  |
| 295 | 13  | 44  |
| 296 | 13  | 46  |
| 297 | 13  | 48  |
| 298 | 13  | 50  |
| 299 | 13  | 52  |
| 300 | 13  | 54  |
| 301 | 13  | 56  |
| 302 | 13  | 58  |
| 303 | 13  | 60  |
| 304 | 13  | 62  |
| 305 | 13  | 64  |
| 306 | 13  | 66  |
| 307 | 13  | 68  |
| 308 | 13  | 70  |
| 309 | 13  | 72  |
| 310 | 13  | 74  |
| 311 | 13  | 76  |
| 312 | 13  | 78  |
|     |     |     |
|     |     |     |
|     |     |     |
|     |     |     |



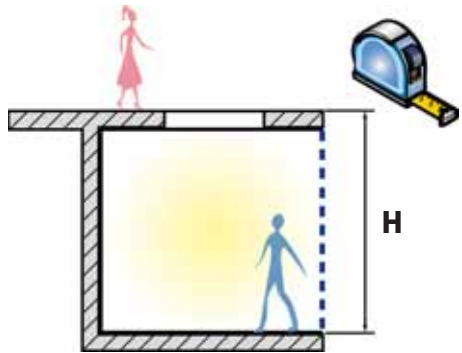


| H   | D47 | D45 |
|-----|-----|-----|
| 294 | 14  | 1   |
| 295 | 14  | 3   |
| 296 | 14  | 5   |
| 297 | 14  | 7   |
| 298 | 14  | 9   |
| 299 | 14  | 11  |
| 300 | 14  | 13  |
| 301 | 14  | 15  |
| 302 | 14  | 17  |
| 303 | 14  | 19  |
| 304 | 14  | 21  |
| 305 | 14  | 23  |
| 306 | 14  | 25  |
| 307 | 14  | 27  |
| 308 | 14  | 29  |
| 309 | 14  | 31  |
| 310 | 14  | 33  |
| 311 | 14  | 35  |
| 312 | 14  | 37  |
| 313 | 14  | 39  |
| 314 | 14  | 41  |
| 315 | 14  | 43  |
| 316 | 14  | 45  |
| 317 | 14  | 47  |
| 318 | 14  | 49  |
| 319 | 14  | 51  |
| 320 | 14  | 53  |
| 321 | 14  | 55  |
| 322 | 14  | 57  |
| 323 | 14  | 59  |
| 324 | 14  | 61  |
| 325 | 14  | 63  |
| 326 | 14  | 65  |
| 327 | 14  | 67  |
| 328 | 14  | 69  |
| 329 | 14  | 71  |
| 330 | 14  | 73  |
| 331 | 14  | 75  |
| 332 | 14  | 77  |
| 333 | 14  | 79  |
| 334 | 14  | 81  |
| 335 | 14  | 83  |
|     |     |     |
|     |     |     |
|     |     |     |
|     |     |     |





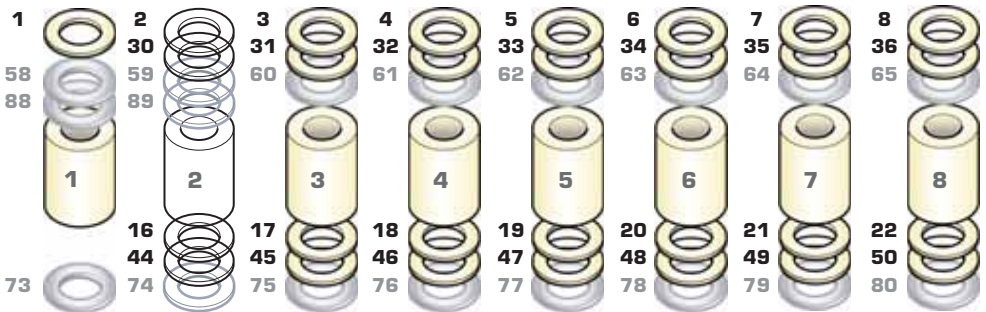


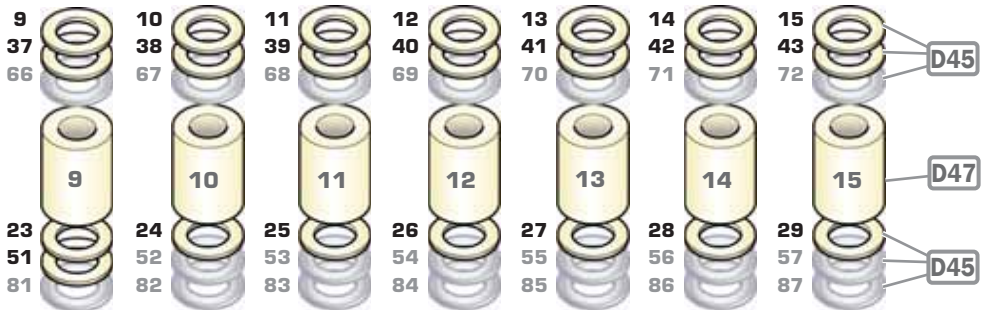
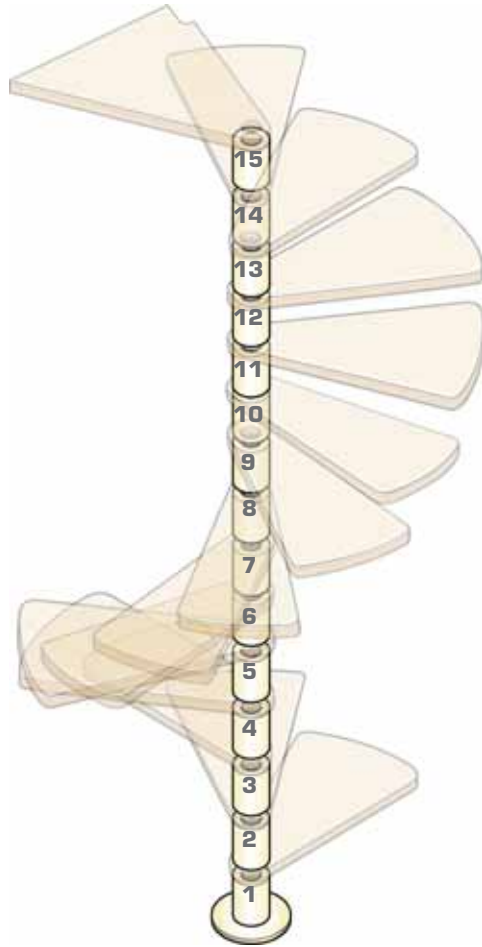
| H   | D47 | D45 |
|-----|-----|-----|
| 315 | 15  | 1   |
| 316 | 15  | 3   |
| 317 | 15  | 5   |
| 318 | 15  | 7   |
| 319 | 15  | 9   |
| 320 | 15  | 11  |
| 321 | 15  | 13  |
| 322 | 15  | 15  |
| 323 | 15  | 17  |
| 324 | 15  | 19  |
| 325 | 15  | 21  |
| 326 | 15  | 23  |
| 327 | 15  | 25  |
| 328 | 15  | 27  |
| 329 | 15  | 29  |
| 330 | 15  | 31  |
| 331 | 15  | 33  |
| 332 | 15  | 35  |
| 333 | 15  | 37  |
| 334 | 15  | 39  |
| 335 | 15  | 41  |
| 336 | 15  | 43  |
| 337 | 15  | 45  |
| 338 | 15  | 47  |
| 339 | 15  | 49  |
| 340 | 15  | 51  |
| 341 | 15  | 53  |
| 342 | 15  | 55  |
| 343 | 15  | 57  |
| 344 | 15  | 59  |
| 345 | 15  | 61  |
| 346 | 15  | 63  |
| 347 | 15  | 65  |
| 348 | 15  | 67  |
| 349 | 15  | 69  |
| 350 | 15  | 71  |
| 351 | 15  | 73  |
| 352 | 15  | 75  |
| 353 | 15  | 77  |
| 354 | 15  | 79  |
| 355 | 15  | 81  |
| 356 | 15  | 83  |
| 357 | 15  | 85  |
| 358 | 15  | 87  |
| 359 | 15  | 89  |

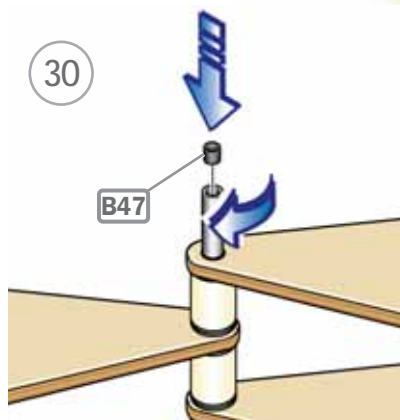
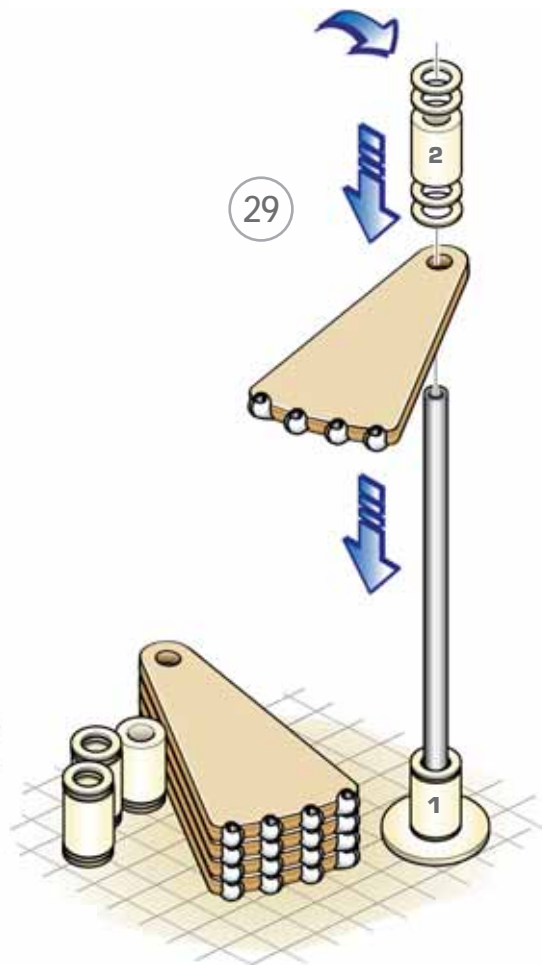
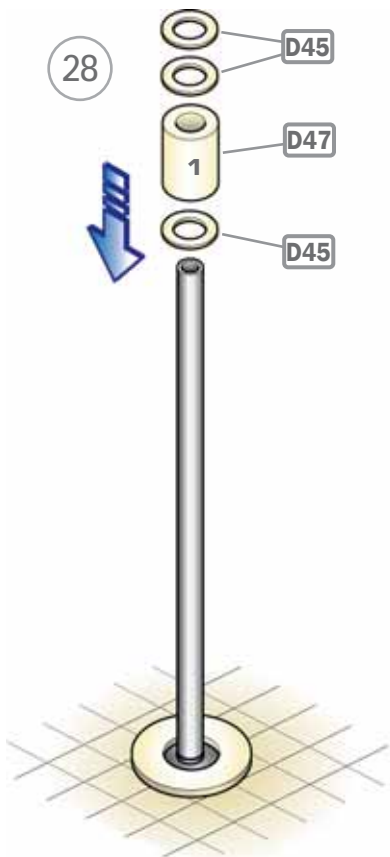


**H = 340**

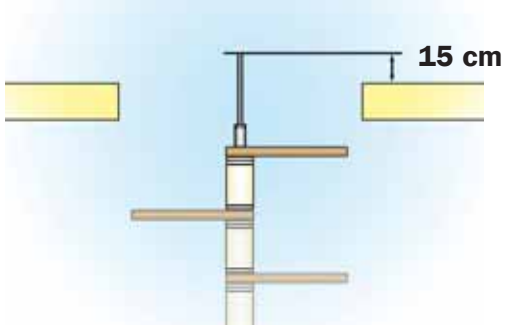
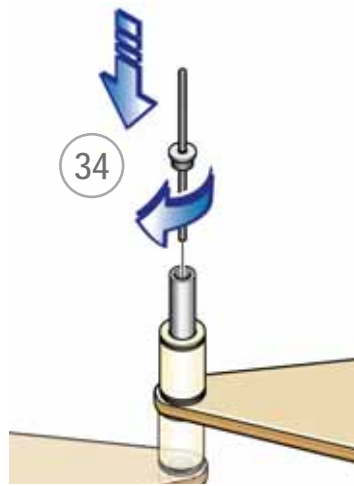
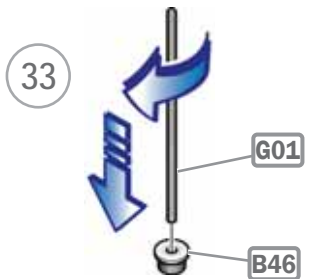
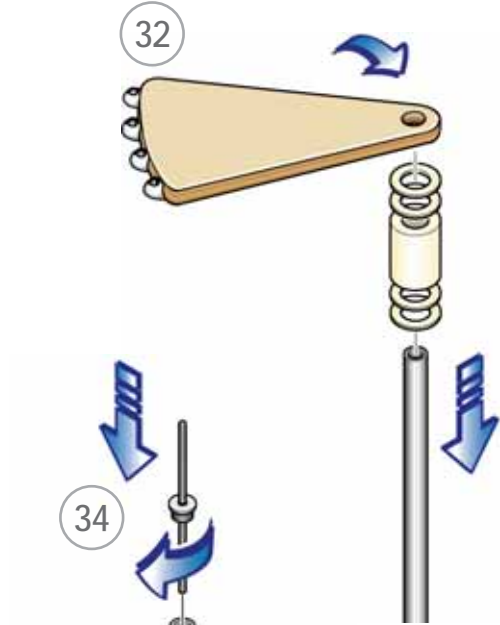
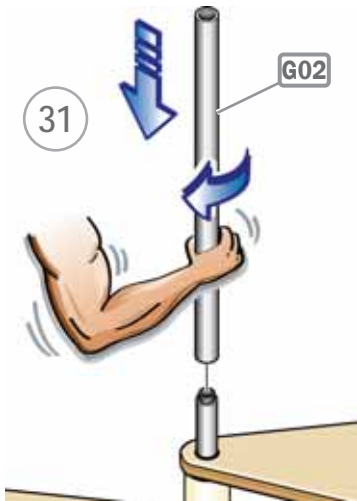
**D47 = 15**   
**D45 = 51** 

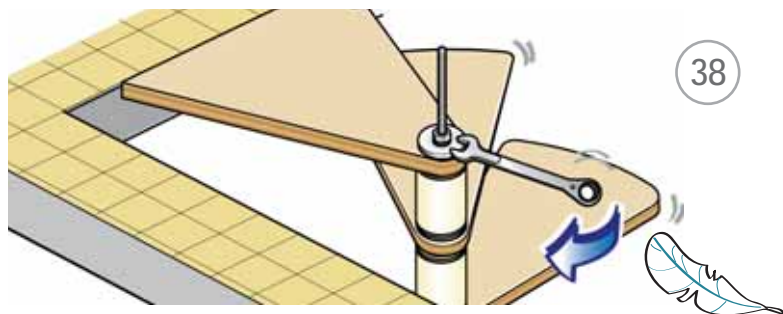
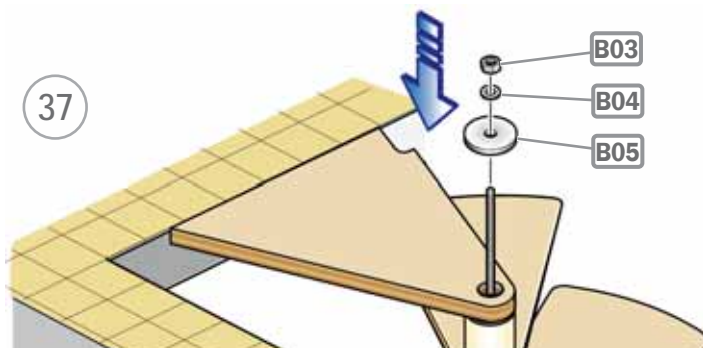
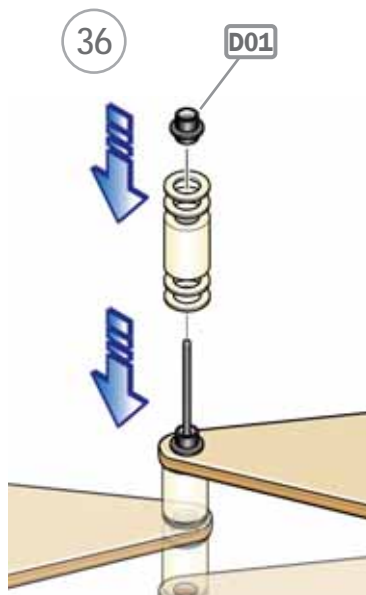
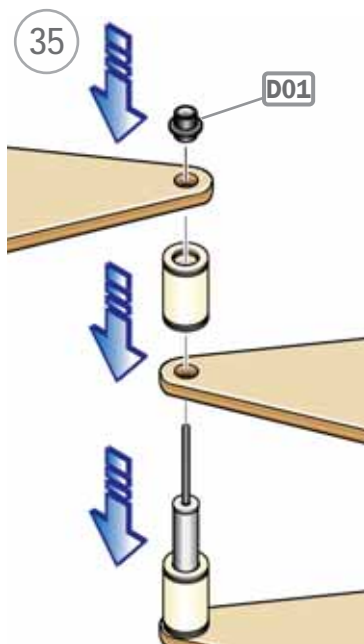


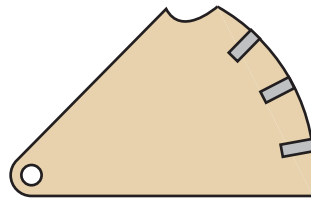
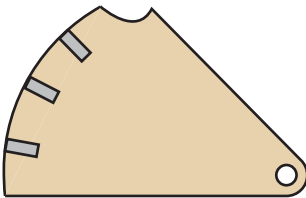
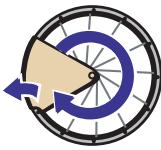
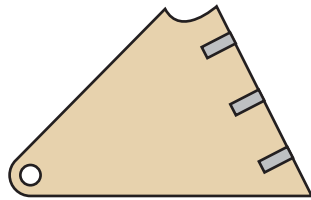
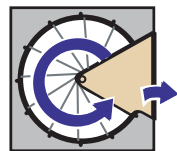
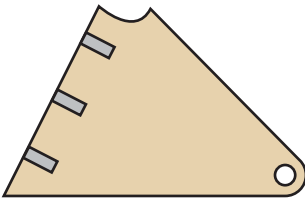
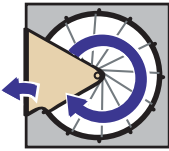
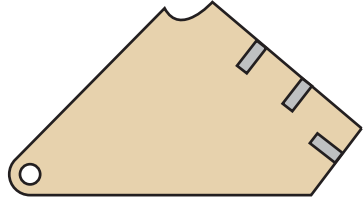
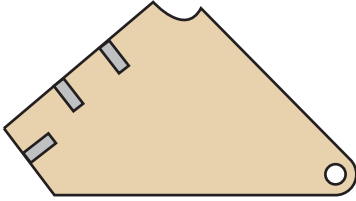
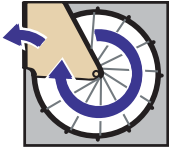


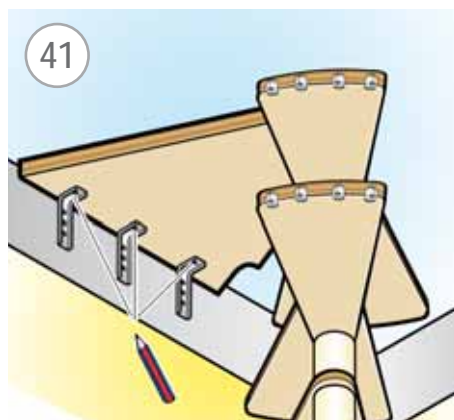
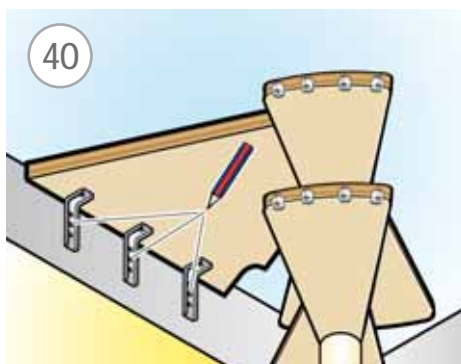
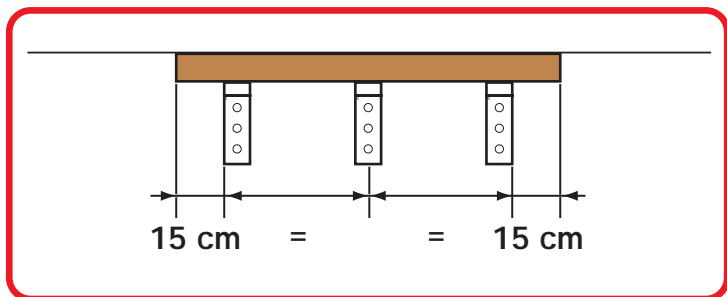
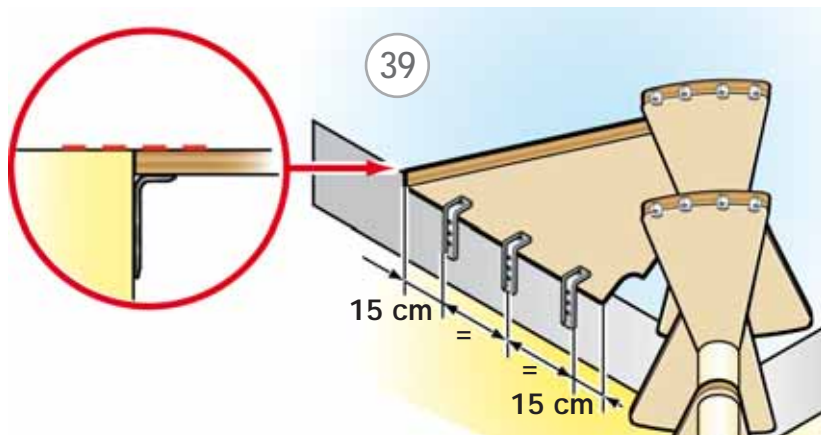




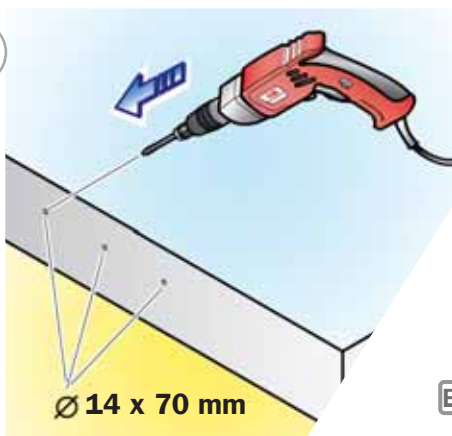




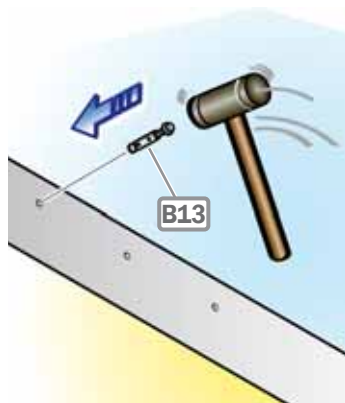




42



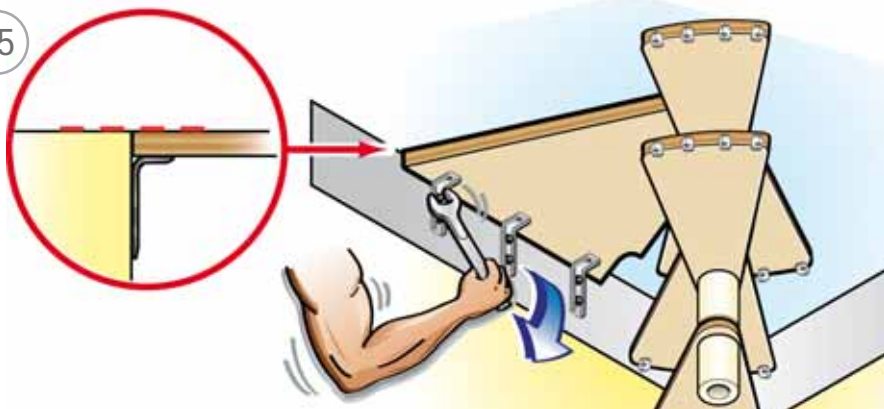
43



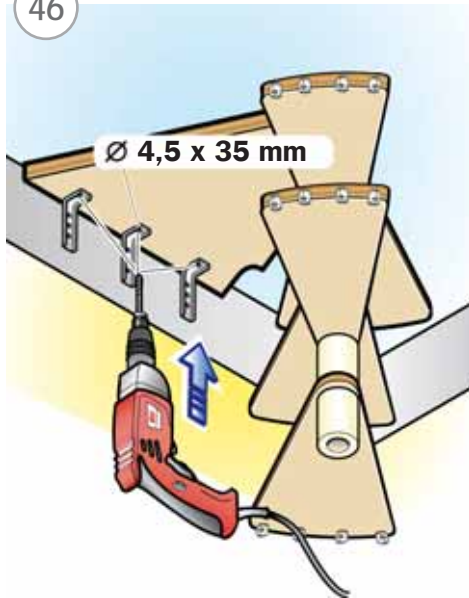
44



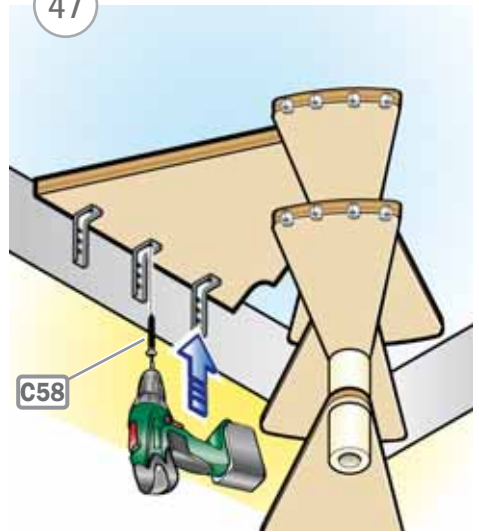
45



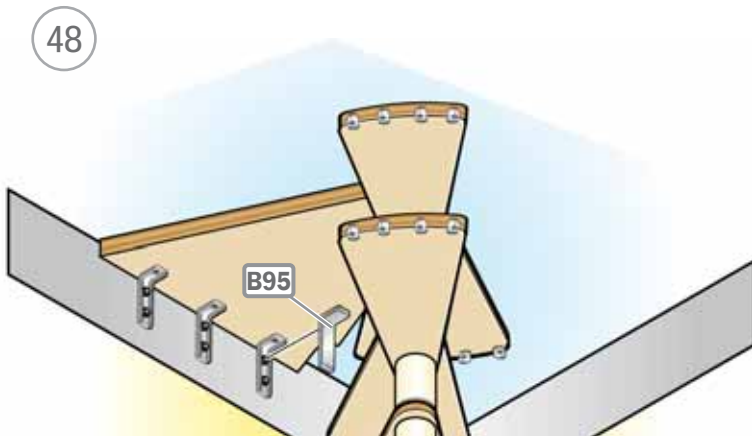
46

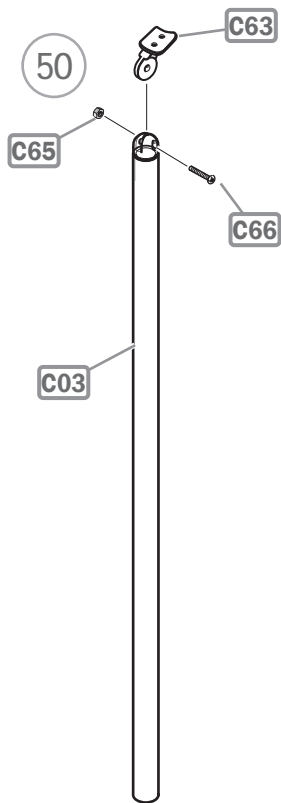
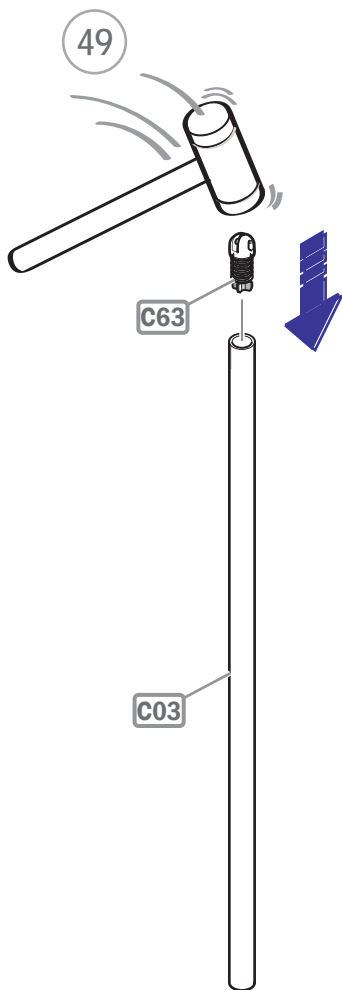


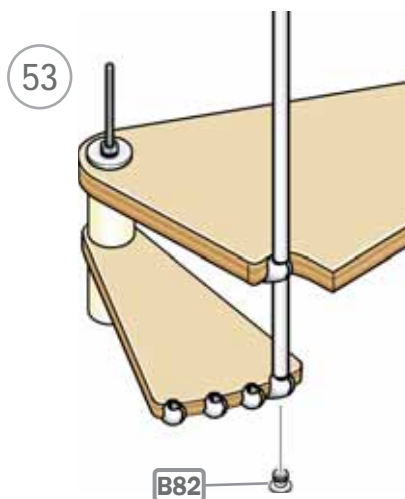
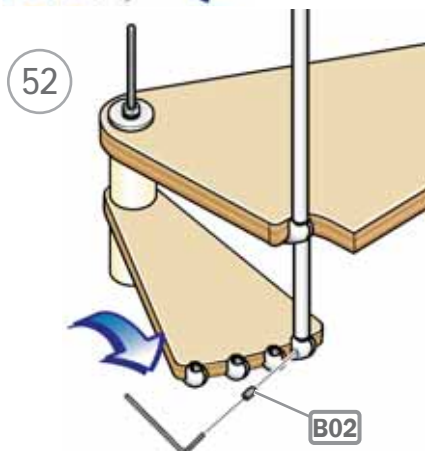
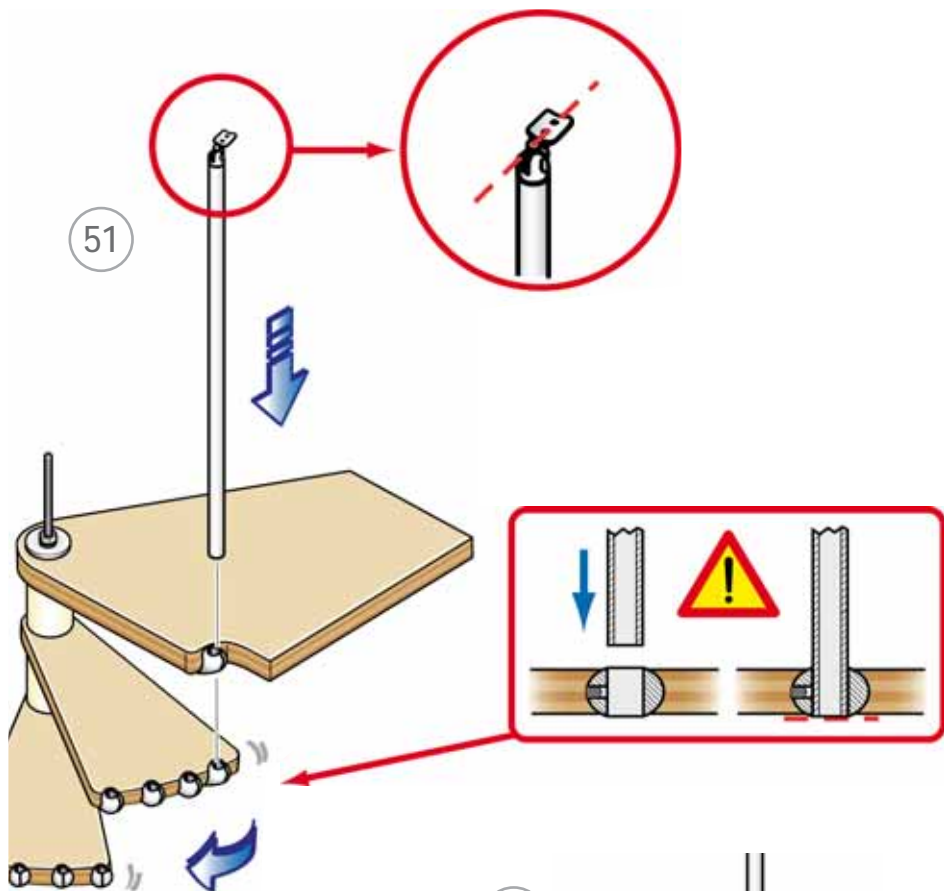
47



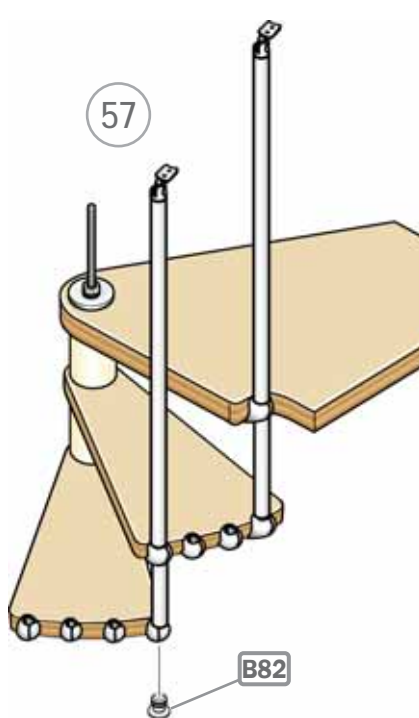
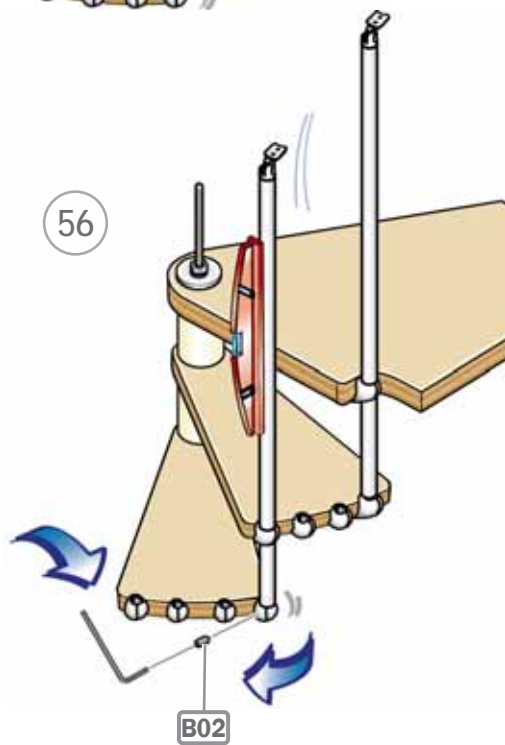
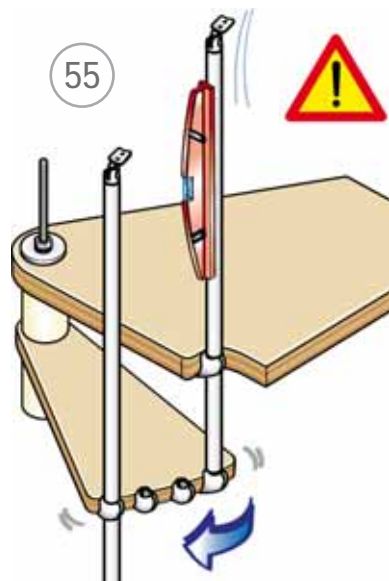
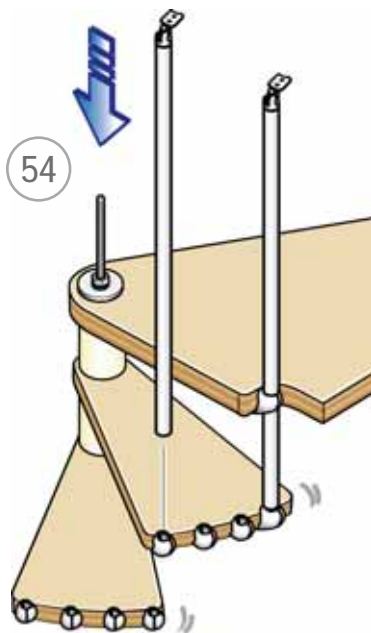
48

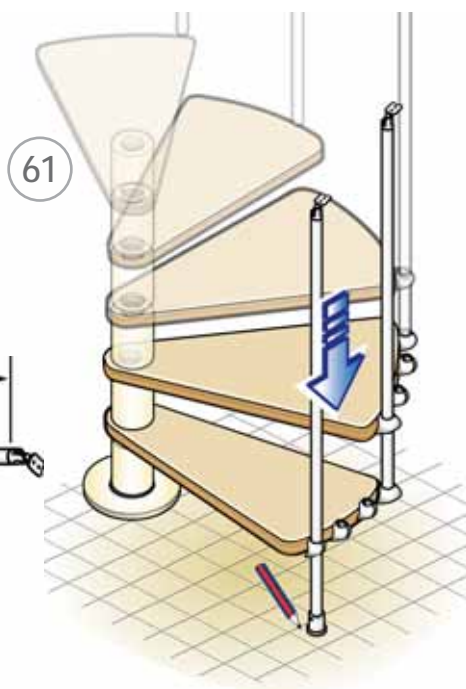
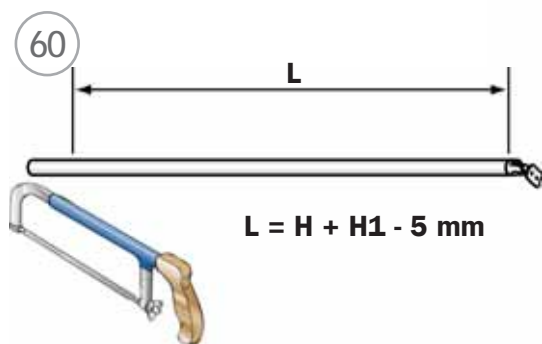
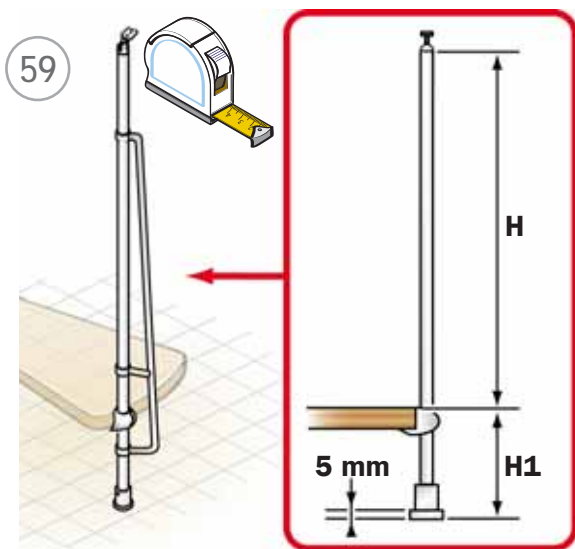
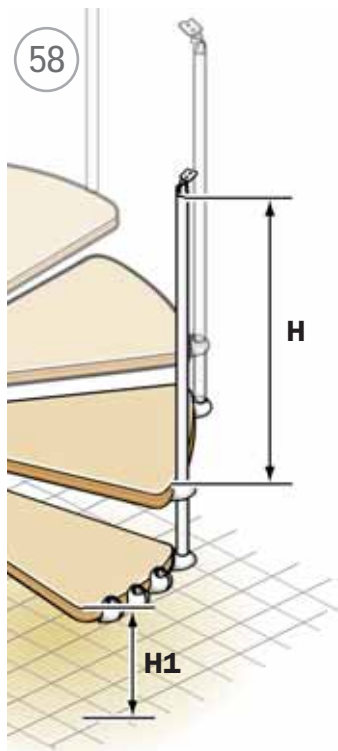




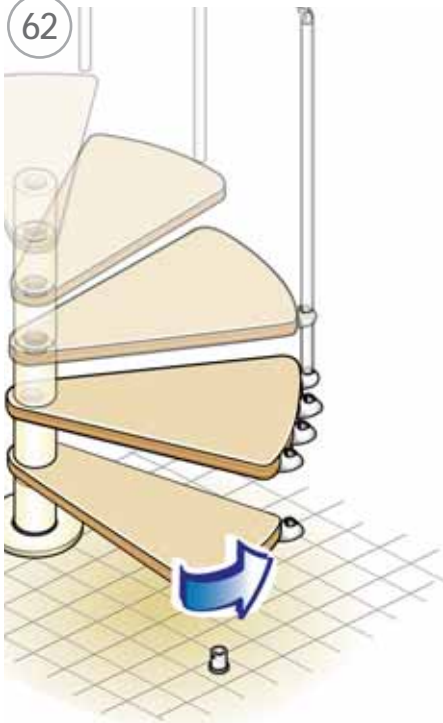




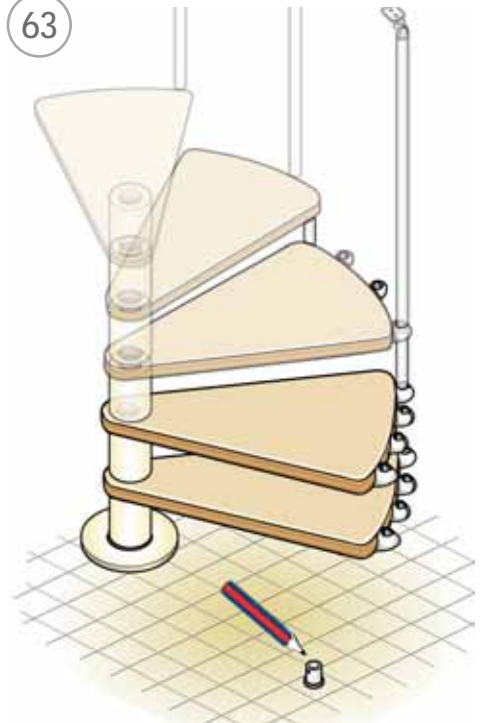




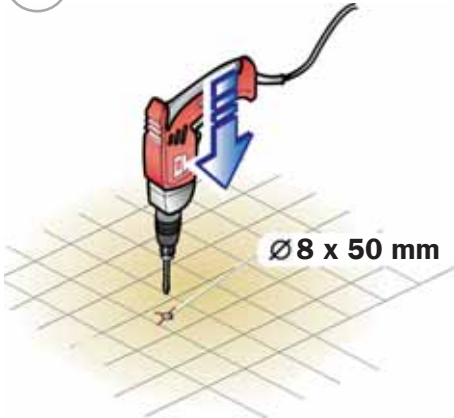
62



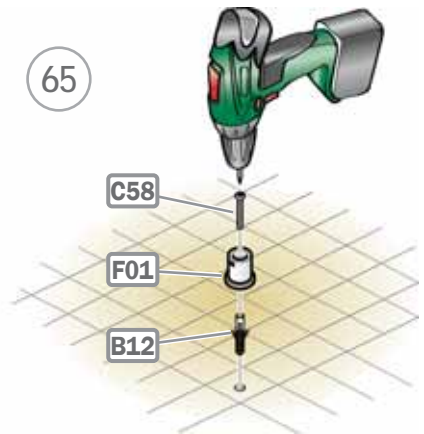
63

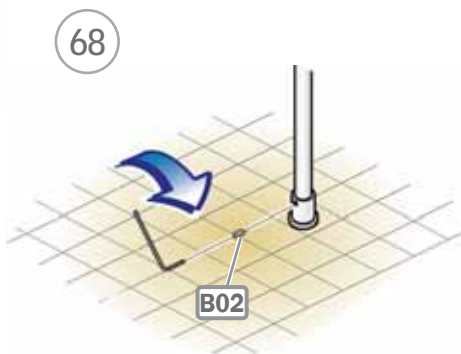
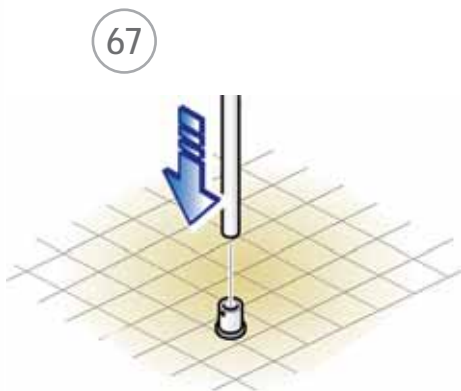


64

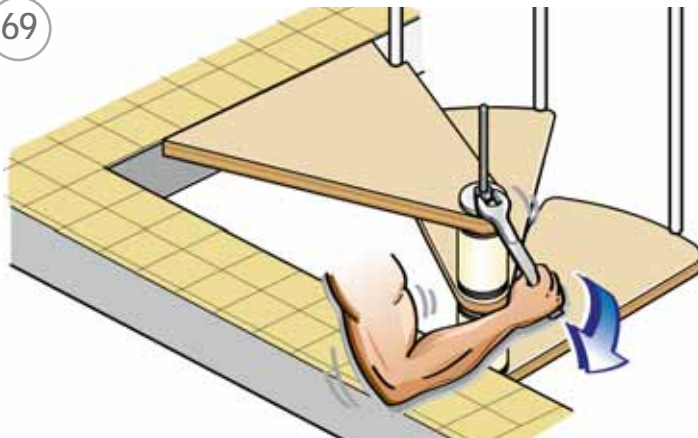


65

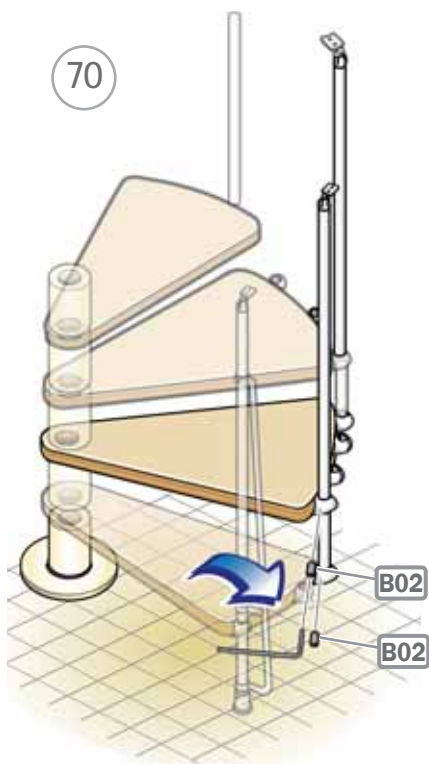




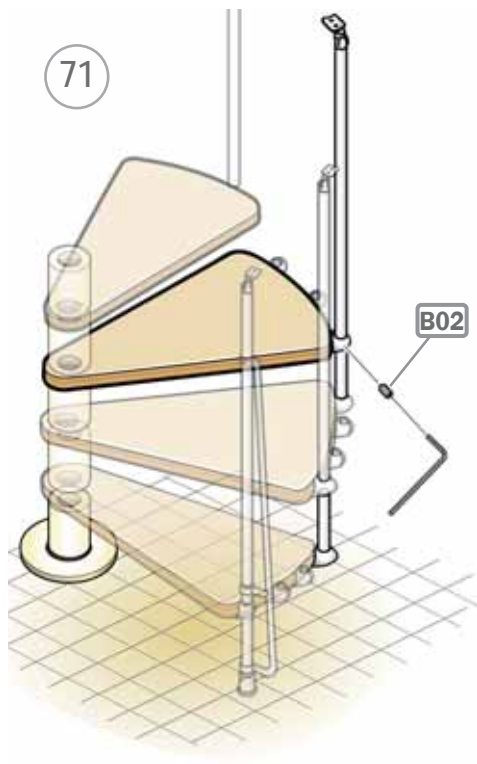
69

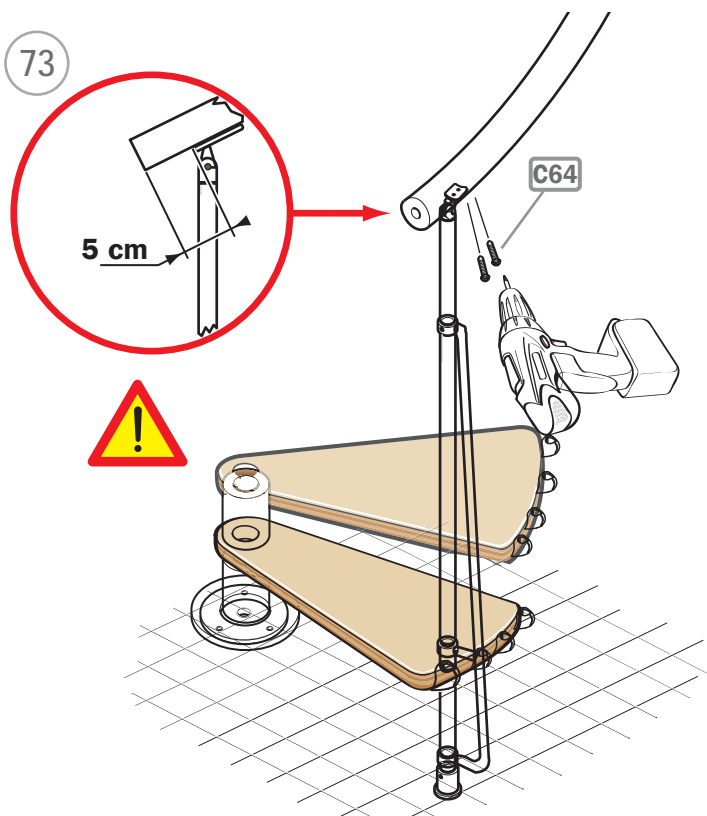
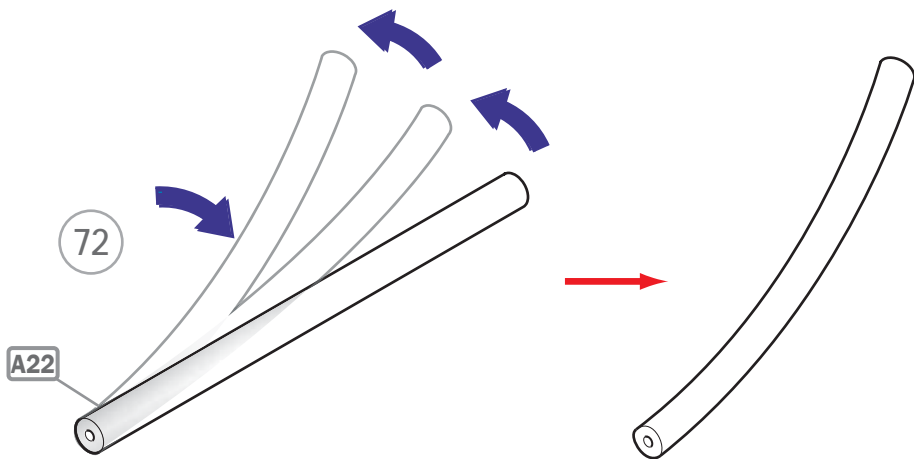


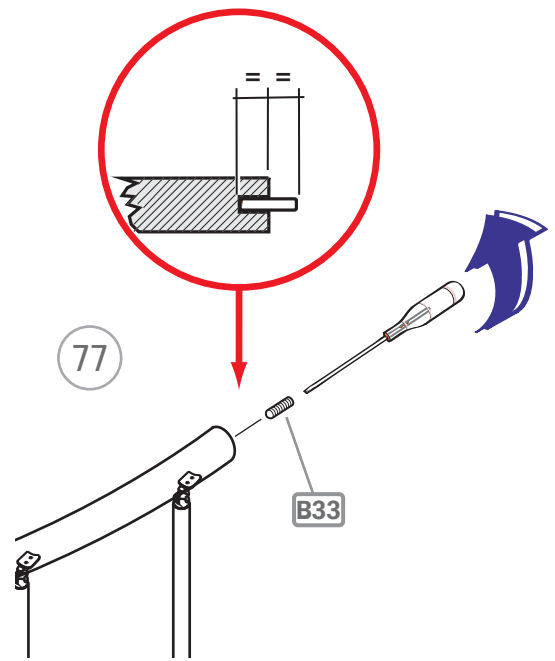
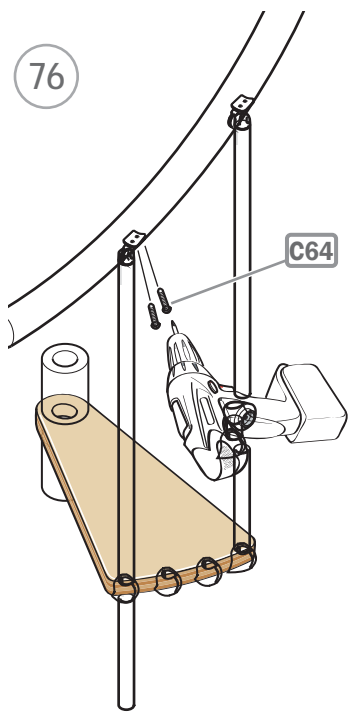
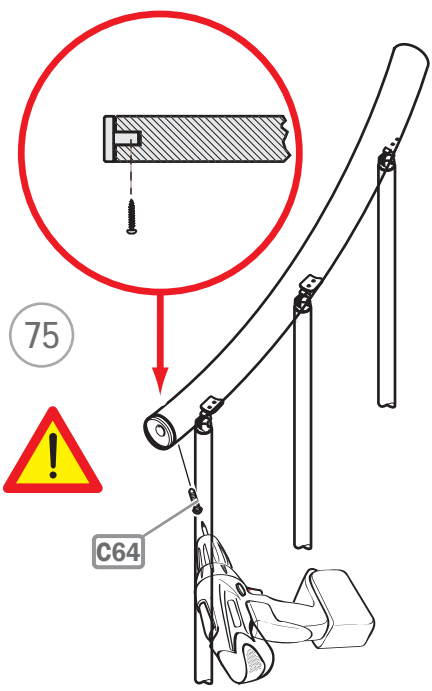
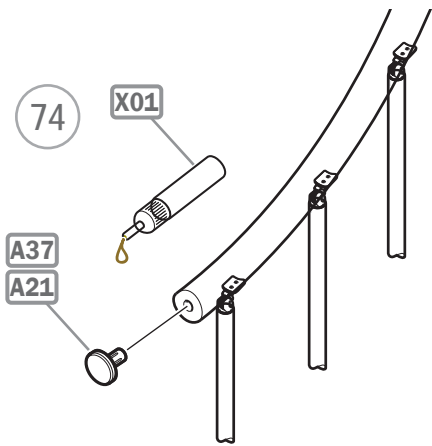
70

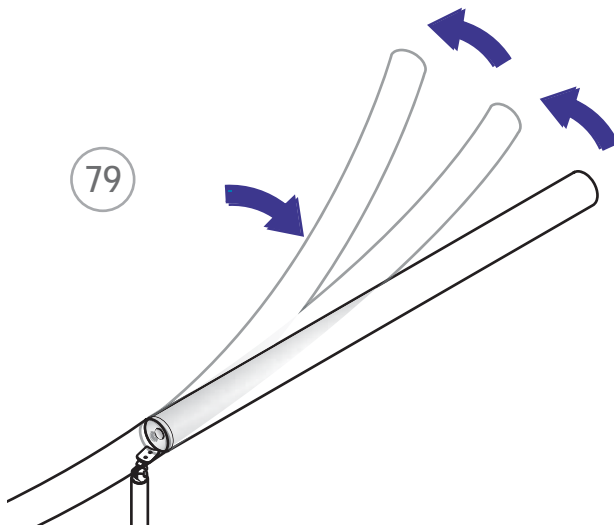
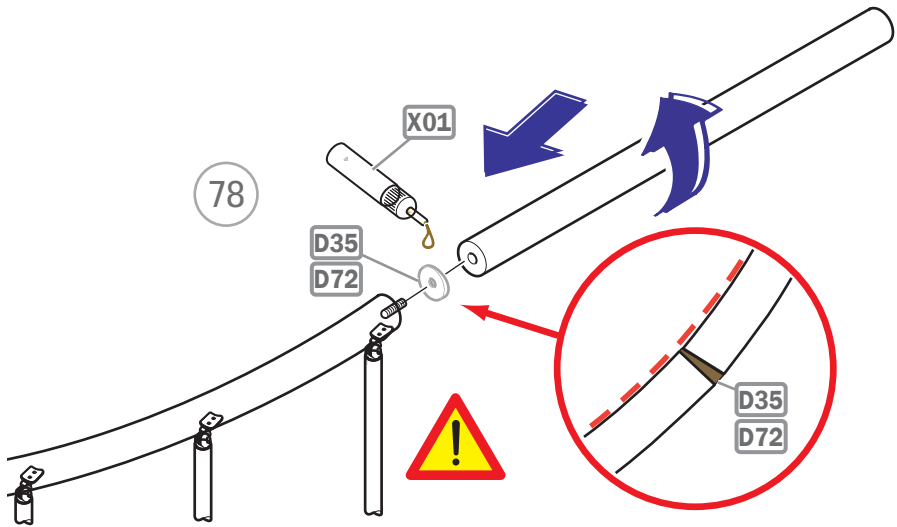


71

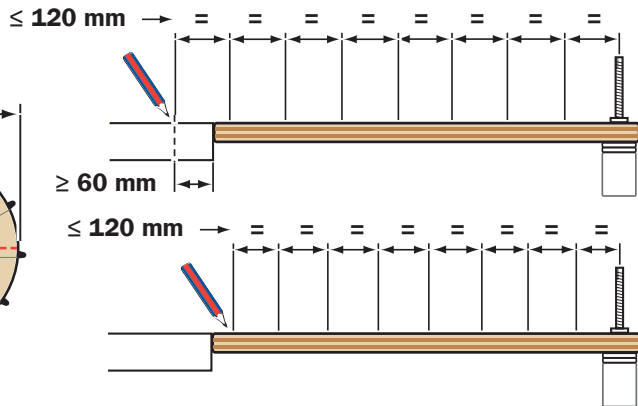
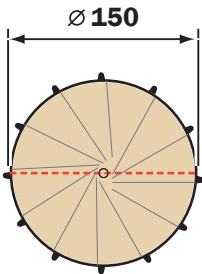
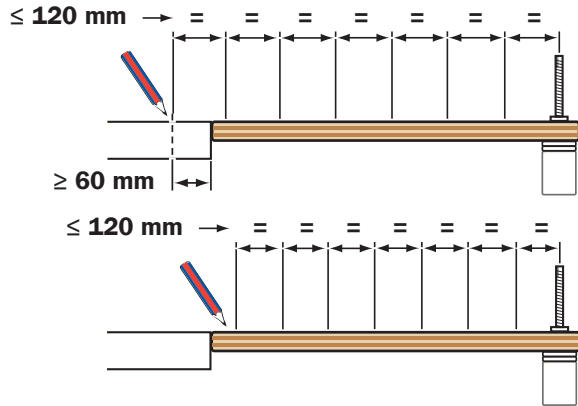
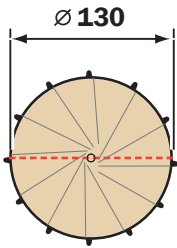
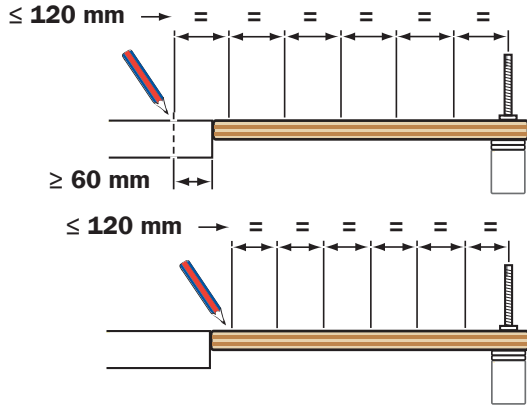
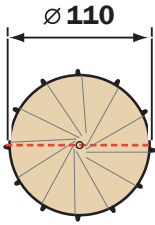


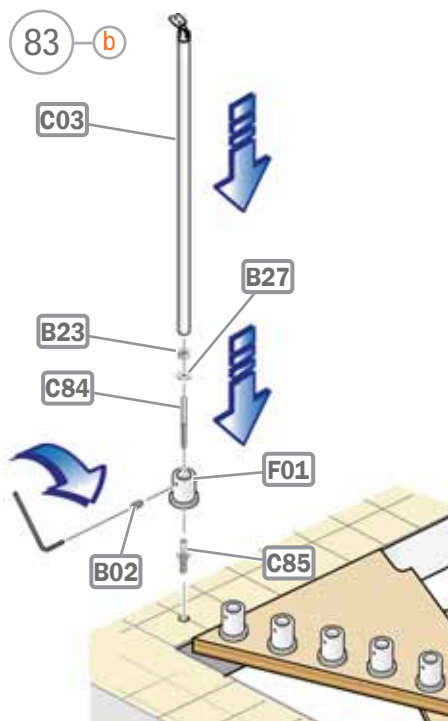
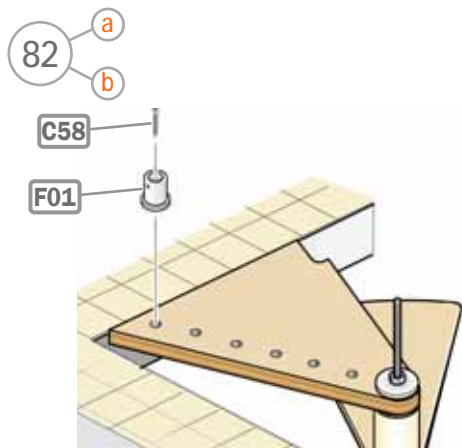
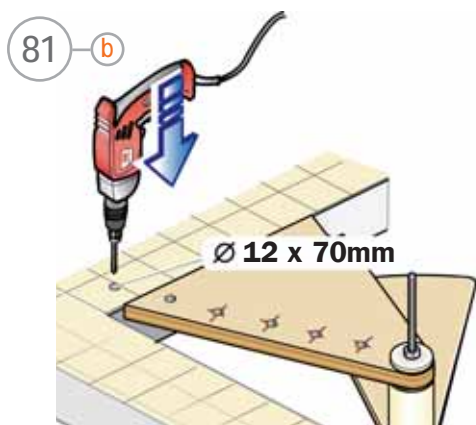
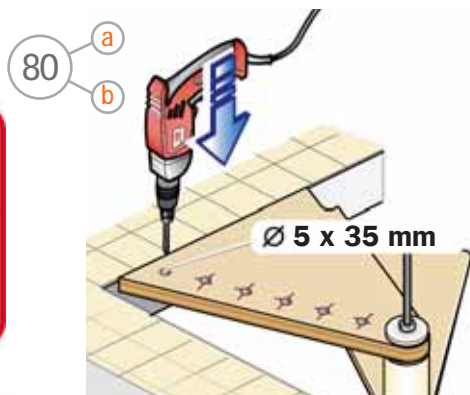
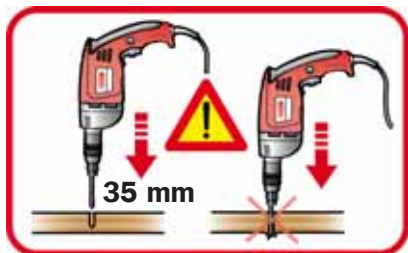


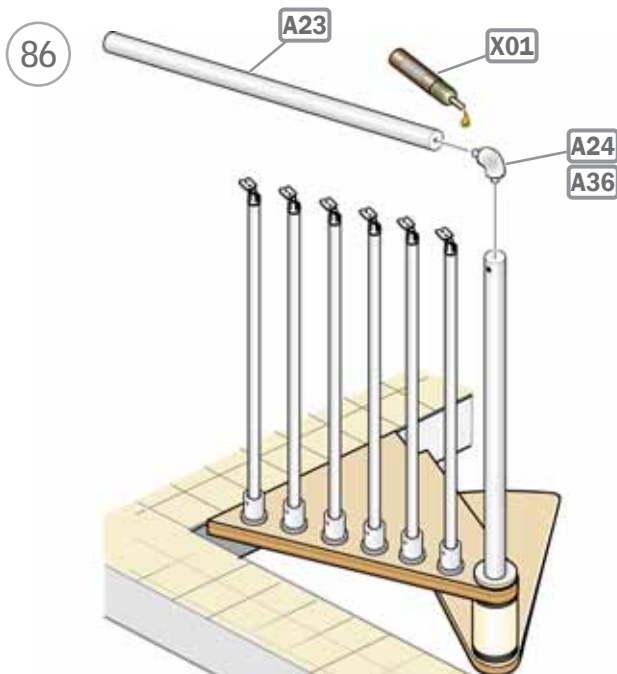
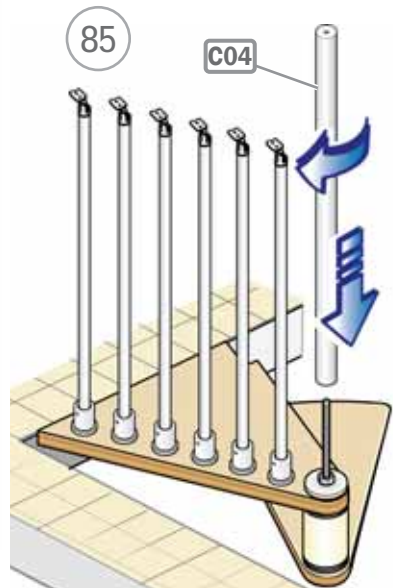
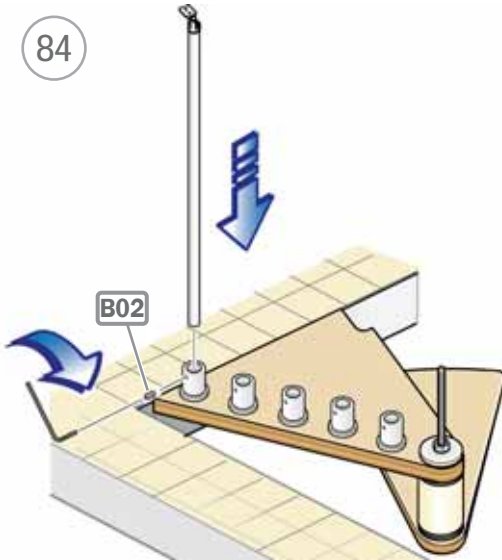




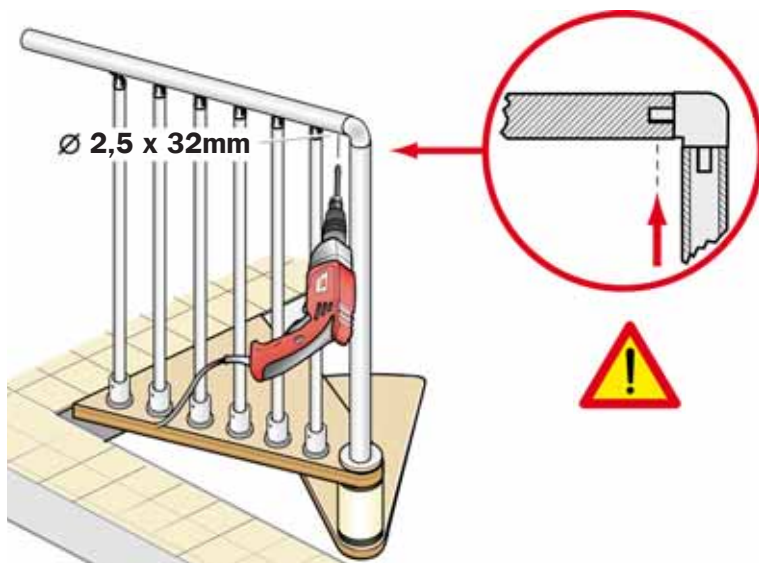




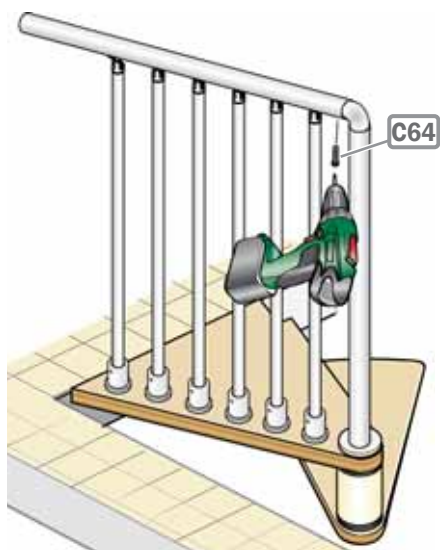




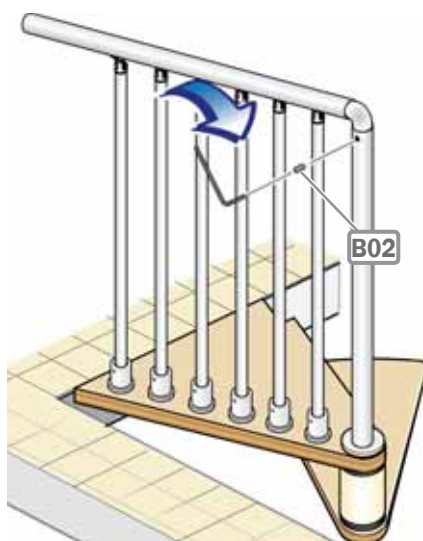
87



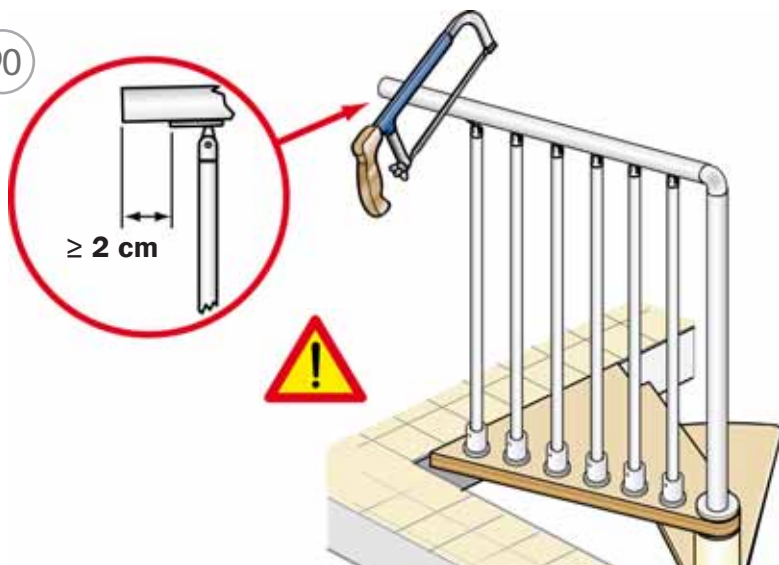
88



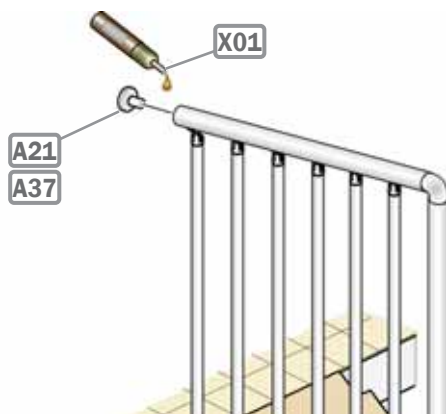
89



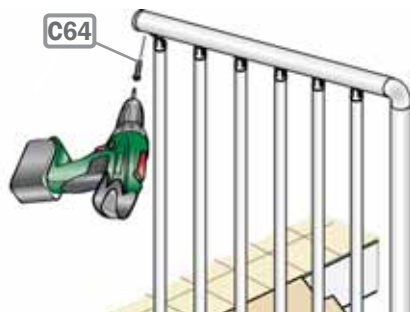
90

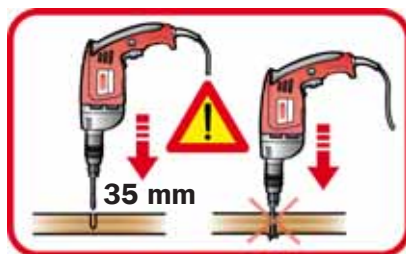
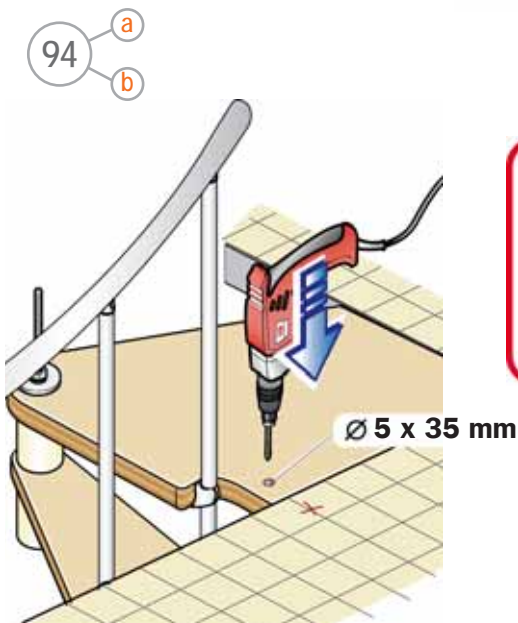
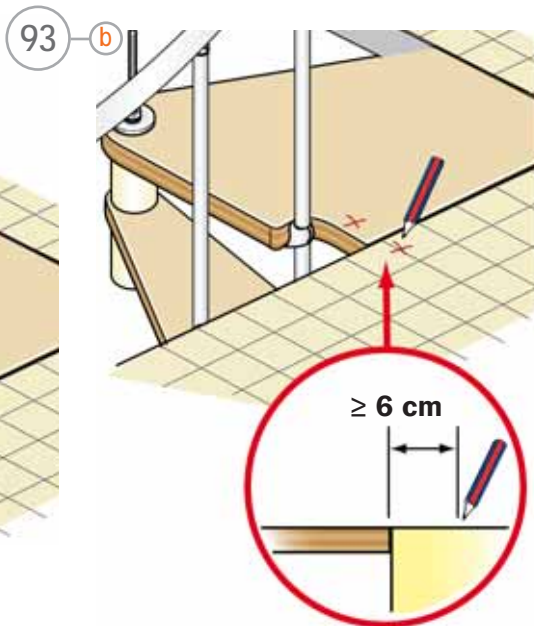
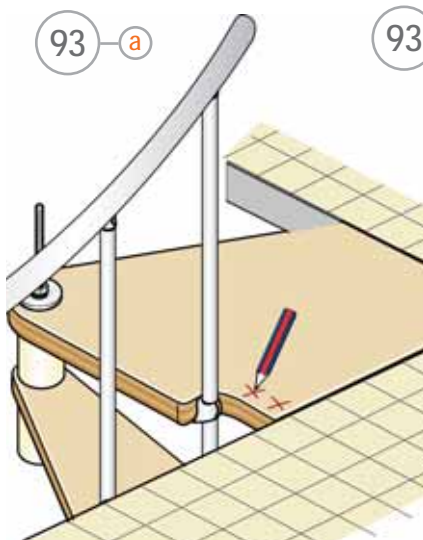


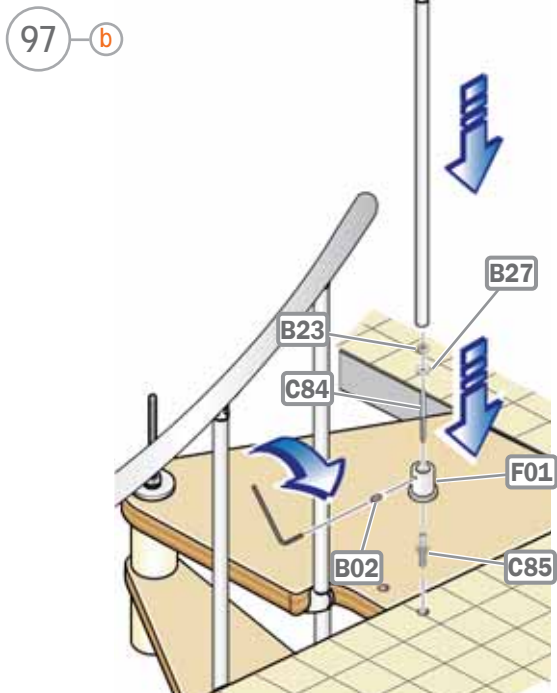
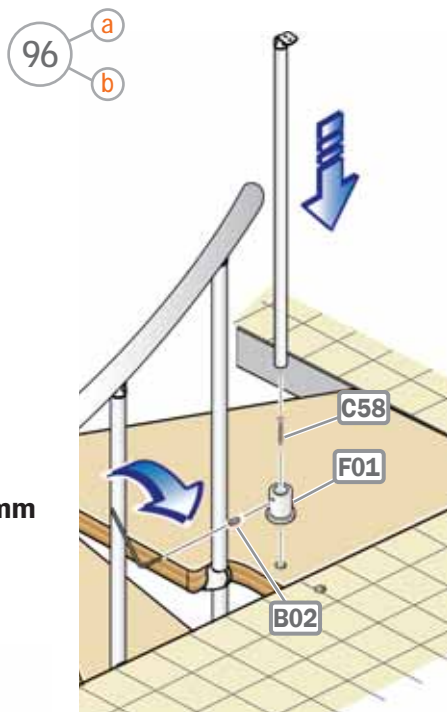
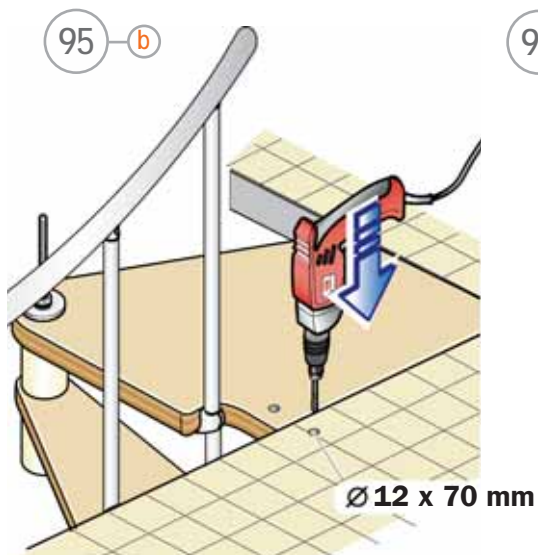
91



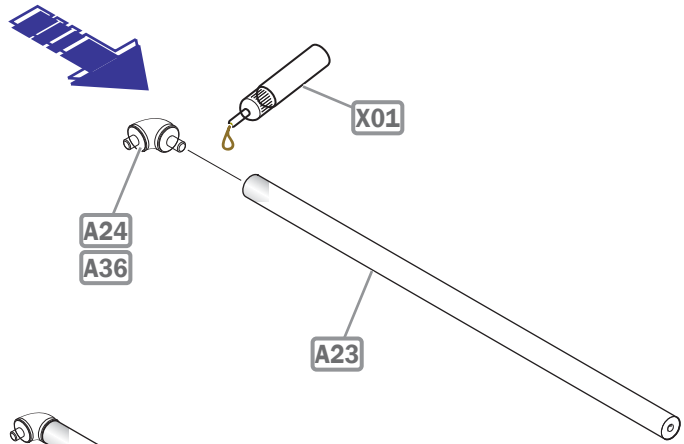
92



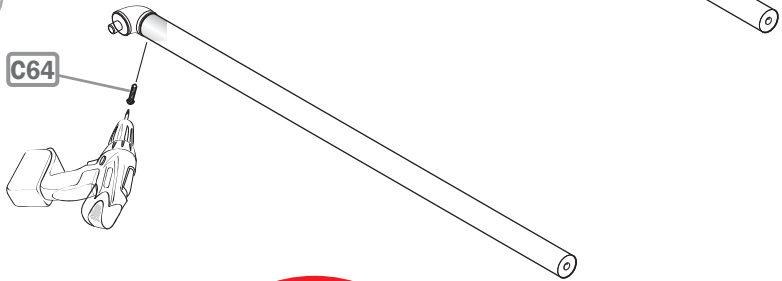




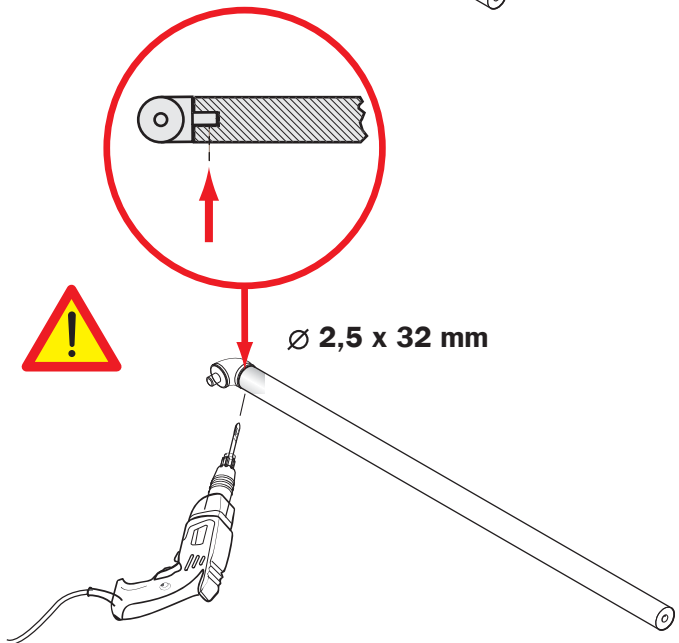
98



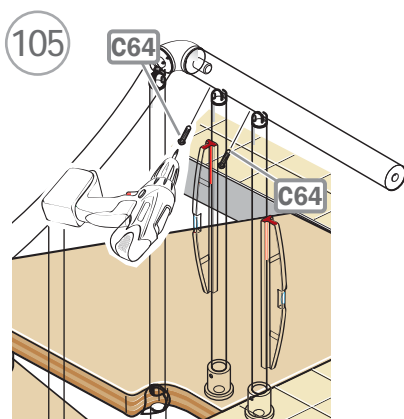
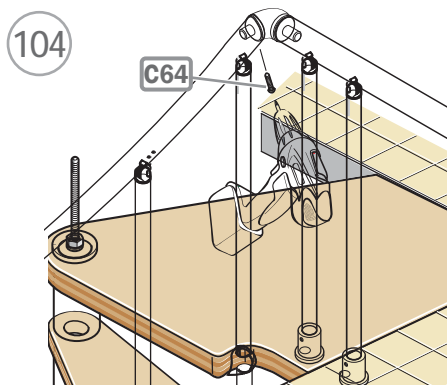
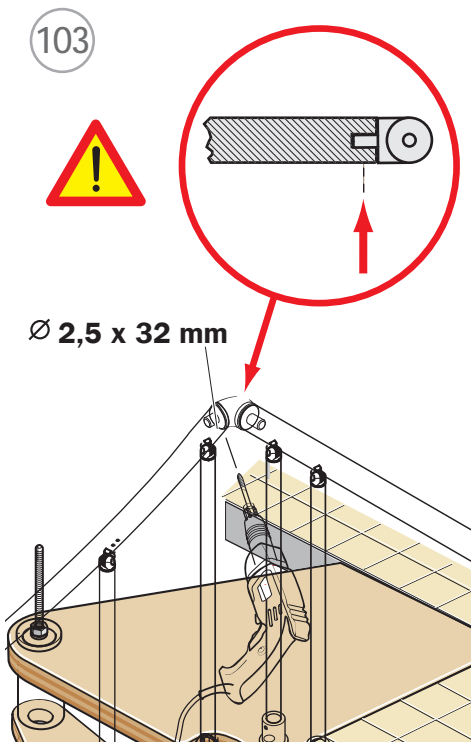
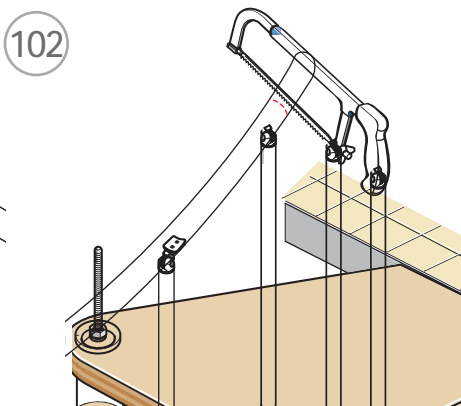
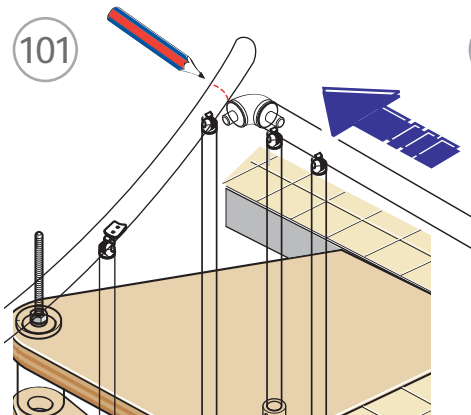
99



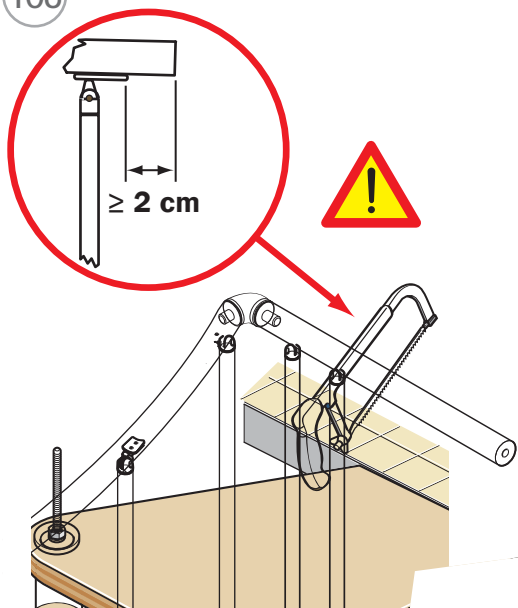
100



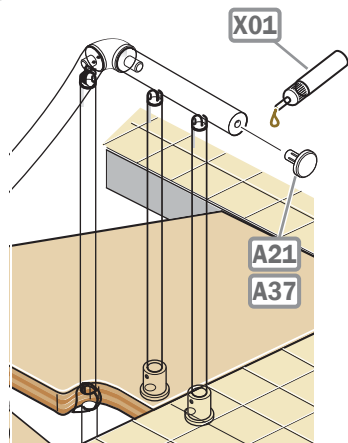




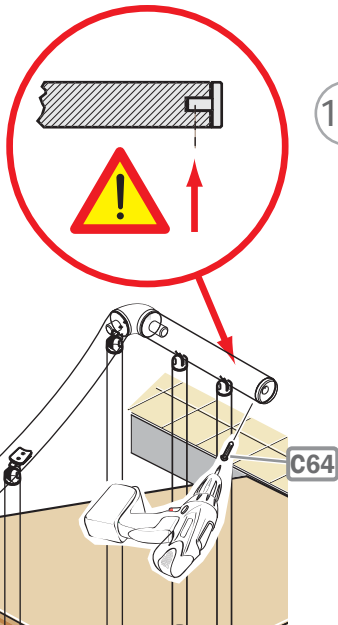
106



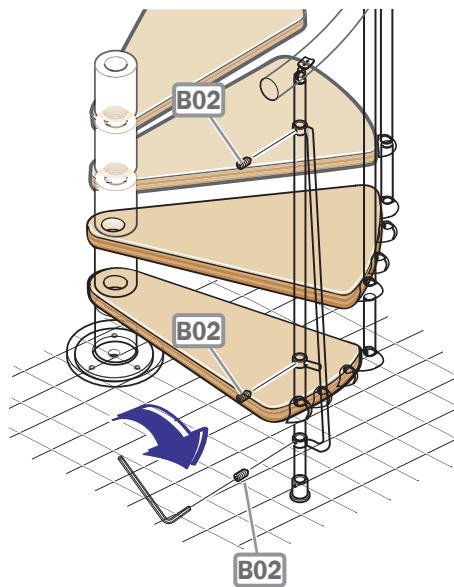
107



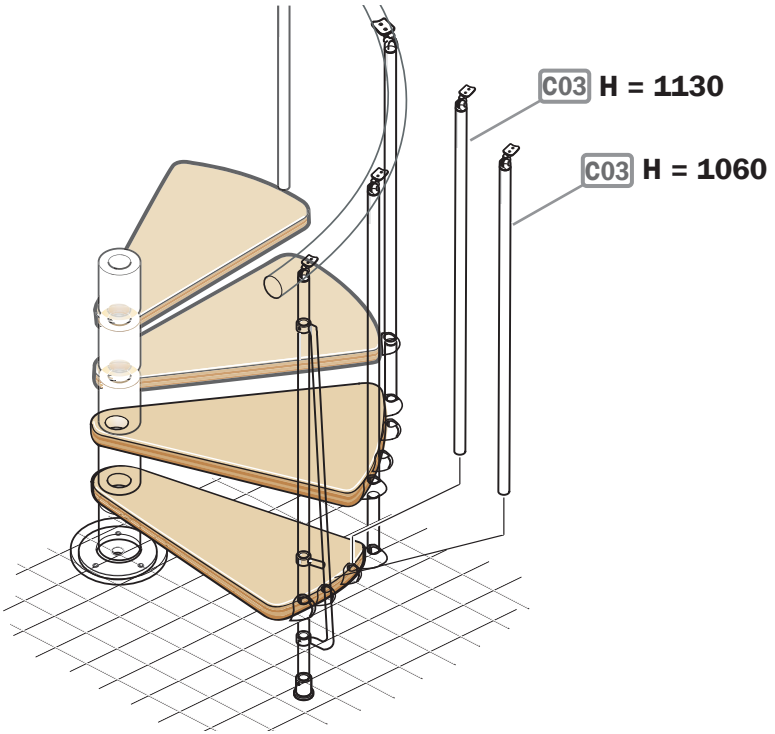
108



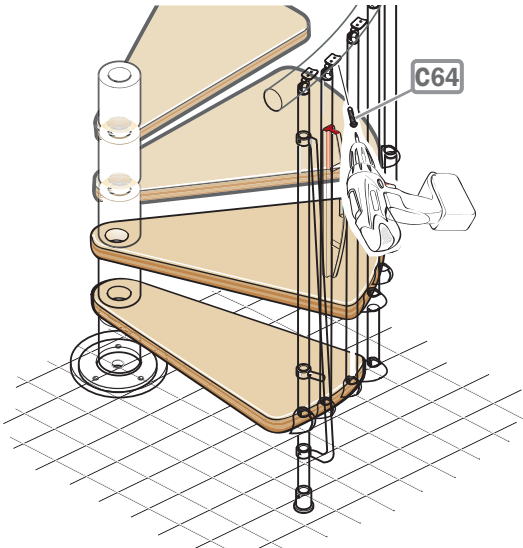
109



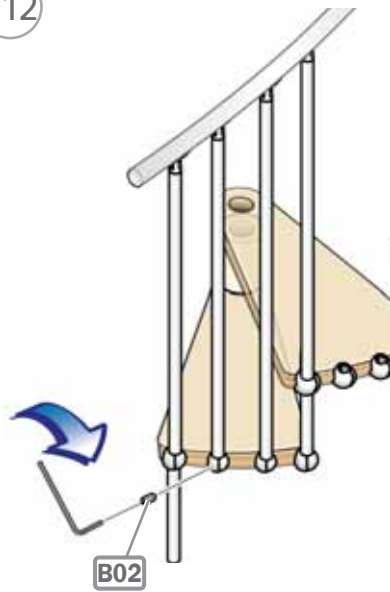
110



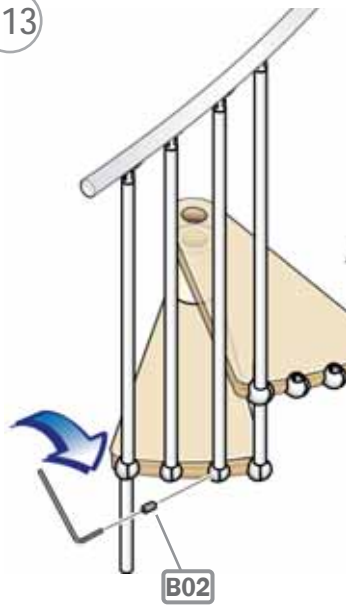
111



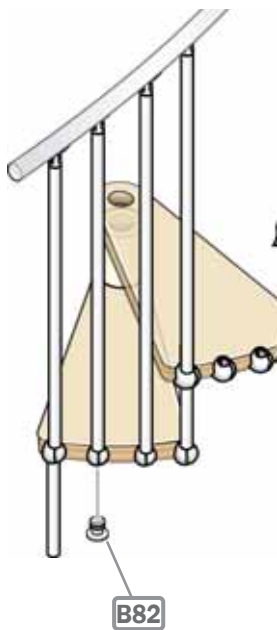
112



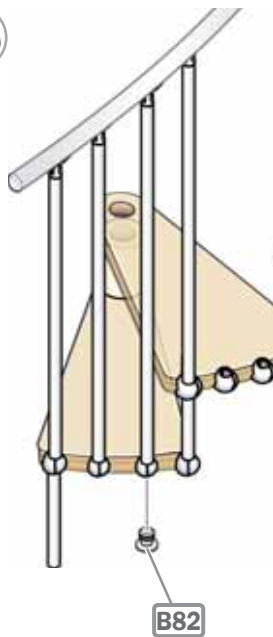
113

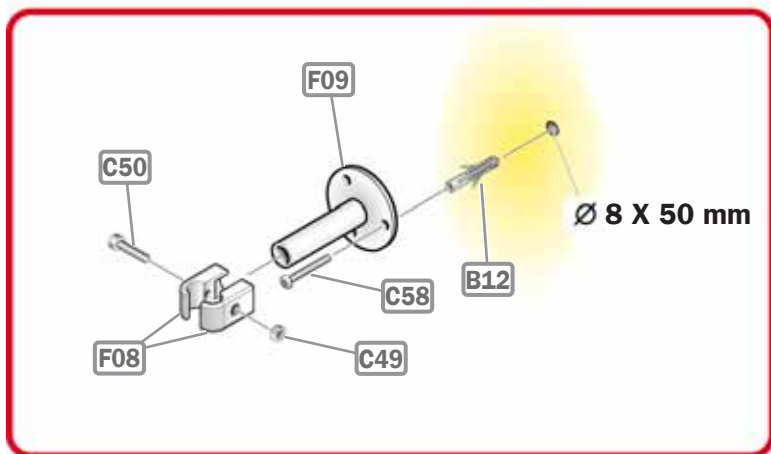


114

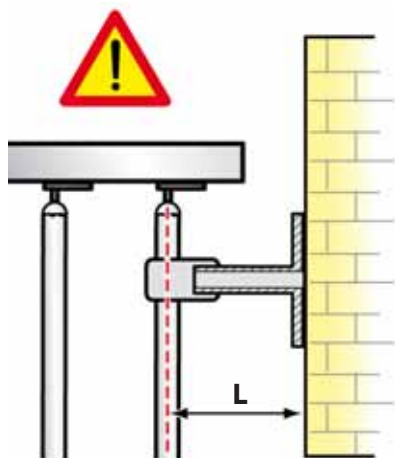


115

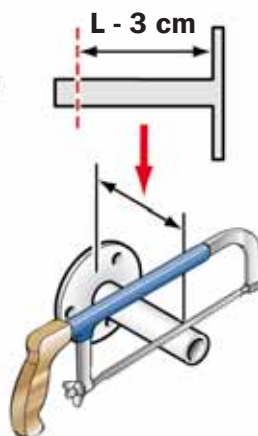




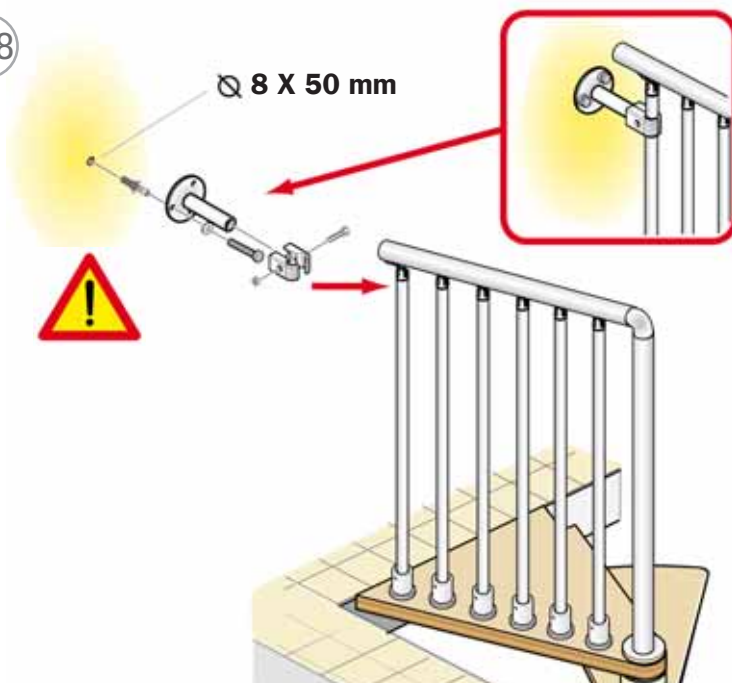
116



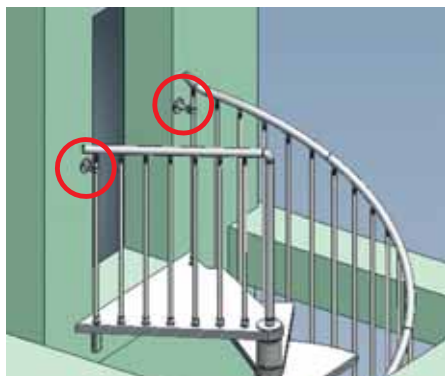
117



118



119



120

