



Italiano	ISTRUZIONI DI MONTAGGIO
English	ASSEMBLY INSTRUCTIONS
Deutsch	MONTAGEANLEITUNG
Français	INSTRUCTIONS DE MONTAGE
Español	INSTRUCCIONES PARA EL ENSAMBLAJE
Português	INSTRUÇÕES DE MONTAGEM
Nederlands	MONTAGE HANDLEIDING
Polski	INSTRUKCJA MONTAŻOWA
Česky	NÁVOD NA MONTÁŽ
Magyar	ÖSSZESZERELÉSI ÚTMUTATÓ
Română	INSTRUCȚIUNI DE MONTAJ
Русский	Инструкции по установке
Hrvatski	UPUTE ZA MONTAŽU
Srpski	UPUTE ZA MONTAŽU
Slovenščina	NAVODILO ZA MONTAŽO
Dansk	MONTERINGSINSTRUKTIONER
Svenska	MONTERINGSINSTRUKTIONER
Suomi	ASENNUSOHJEET
Eesti keel	MONTAAŽIJUHEND



ATTENZIONE: per un corretto serraggio dei grani B20, ruotare la chiave di circa 90° dal punto di contatto. Una ulteriore inutile rotazione potrebbe danneggiare il gradino.

ATTENTION: for the correct fixing of B20, turn the key around 90° from the contact point. A further additional rotation could damage the tread.

ACHTUNG: zur korrekten Befestigung der Stifte B20 den Schlüssel um c.a. 90° gegenüber dem Befestigungspunkt drehen. Das weitere, unnötige Anziehen kann zur Beschädigung der Stufe führen.

ATTENTION: pour serrer correctement les vis B20, tourner le clef à environ 90° à partir du point de contact. Un ultérieur et inutile serrage pourrait endommager la marche.

ATENCIÓN: para apretar correctamente los tornillos B20 es suficiente apretar la llave 90° desde el punto de contacto. Apretar más de lo indicado es inútil y puede dañar los peldaños.

ATENCIÓN: para apretar correctamente los tornillos B20 es suficiente apretar la llave 90° desde el punto de contacto. Apretar más de lo indicado es inútil y puede dañar los peldaños.

OPGELEGT: om de schroef B20 juist vast te draaien, draai je de sleutel ongeveer nog 90° vanaf het contactpunt. Verder draaien zou schade kunnen berokkenen aan de trede.

UWAGA: dla właściwego dokręcenia części B20 przekreślić klucz o około 90° od punktu styczności. Dodatkowy niepotrzebny obrót mógłby uszkodzić stopień.

POZOR: Pro správnou stezanž elementu B20 otočte klíčem o přibližně 90° od bodu dotyku. Větší otočení by mohlo vést k poškození schodišťového stupně.

FIGYELEM: a B20 rögzítőpecsek megfelelő rögzítéséhez, forgassa el kb. 90°-kal a rögzítési ponttal ellentétesen. A további, felesleges elfordítás a lépcső károsodásához vezethet.

ATENȚIE: pentru un montaj corect al șuruburilor B20, rotiți cheia cu aproximativ 90° de la punctul de contact. O rotație ulterioară ar putea deteriora treapta.

ВНИМАНИЕ: для того чтобы правильно закрепить винты B20, необходимо повернуть ключ на 90° от контактной поверхности. Дальнейшее вращение винтов может вызвать резьбу (нарушить ход).

OPREZ: radi pravilnog stezanja elementa B20, zakrenuti ključ približno 90° od točke dodira. Dodatno nepotrebno zakretanje odnosno stezanje moglo bi oštetiti gazište.

PAŽNJA: radi pravilnog postavljanja B20, okrenite ključ za 90° od tačke spajanja. Dodatno okretanje može oštetiti stepenicu.

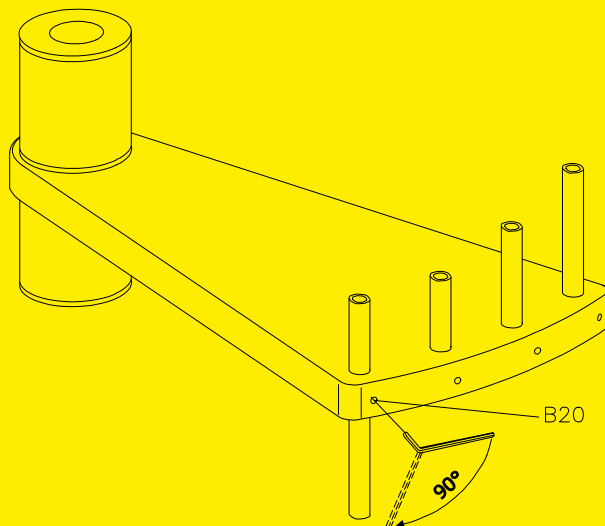
OPOZORILO: zaradi pravilnega zategovanja elementa B20, je potrebno obrniti ključ približno za 90° od točke dotika. Dodatno nepotrebno obrčanje ali zategovanje lahko povzroči poškodbo stopnice.

BEMÆRK: stopringsskruerne B20 fastspændes korrekt ved at dreje nøglen cirka 90° fra kontaktpunktet. Trinet kan ødelægges ved en yderligere unødvendig drejning.

SE UP: för att få en korrekt åtdragning av strukturen B20 vrid nyckeln ca 90° från kontaktpunkten. En ytterligare rotering som ej är nödvändig skulle kunna skada trappsteget.

HUOMIO: jotta tapit B20 tulisivat lukituiksi oikealla tavalla, kierrä avainta noin 90° kontaktipisteestä. Ylimääräinen turha kierto saattaisi vaurioittaa askelmaa.

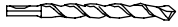
TÄHELEPANU: kruvide B20 korrektse kinnituse tagamiseks keerake võit umbes 90° võrra algpunkti suhtes. Liiga tugevasti keerates võib aste viga saada.





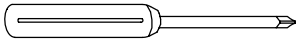
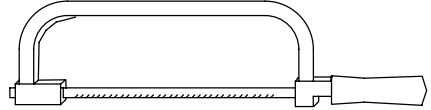
Ø 8x300 – 12x120 – 14x150 mm

Ø 5/16" x 11 3/4" – 15/32" x 4 3/4" – 9/16" x 5 7/8" in

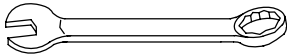
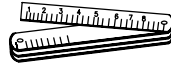


Ø 2.5 – 3.5 – 4.5 mm

Ø 3/32" – 9/64" – 11/64" in

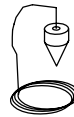


PH 2



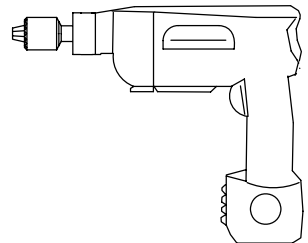
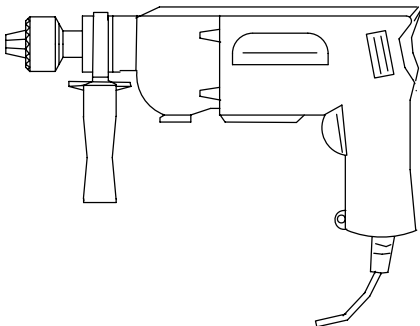
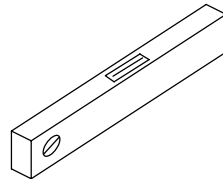
13 – 17 – 30 mm

33/64" – 43/64" – 3/16" in



2.5 – 3 – 4 – 5 – 12 mm

3/32" – 1/8" – 5/32" – 13/64" – 15/32" in



English

Before starting the assembly process, unpack all components of the staircase. Lay them out on a large surface and check the quantity of all the pieces, by consulting the table TAB.1 (A = Code, B = Quantity).

Inside the staircase box you will also find a DVD which we suggest watching before proceeding to assemble.

For customers in the USA there is a customer assistance number 1-888 STAIRKT, which you can telephone in case of problems.

Preliminary Assembly

1. Assemble the parts C24, C25 and B20 to the treads (L03) (fig. 2).
2. Carefully measure the floor-to-floor height and determine the required number of spacers (D08) (TAB.2) and prepare them onto their proper spacer (D15) (TAB2)
3. Assemble the parts C63, C65, C66 onto the baluster (C03) (fig. 3).
4. Assemble the base G03, B17 and B46 (fig. 1).

Assembly

5. Determine and mark on the floor the centre of the opening, then position the base (G03+B17+B46) (fig. 4).
6. Drill with drill bit \varnothing 14 mm ($\frac{9}{16}$ ") and fix the base (G03+B17+B46) into the floor by means of the parts B13 (fig. 1).
7. Screw the pole (G02) into the base (G03+B17+B46) (fig. 1).
8. Insert the base plate cover (D12) into the pole (G02) (fig. 5).
9. Insert the spacers (D08), then the shorter spacer (D14), the spacers (D08), the first tread (L03), the spacers (D08), the spacer (D15), the spacers (D08) and another tread (L03) and so on. Add alternatively the treads alternately one to the right and one to the left, so as to distribute the weight in a balanced way (fig. 5).
10. When you reach the end of the pole (G02), screw the part B47 on it, then add the second pole (G02) and continue with the stair assembly (fig. 5)
11. When you reach the end of the pole (G02), screw on it the part B46 and the part G01. (Screw the part G01, until its upper end sticks out approximately 15 cm (6") from the stair height (fig. 6). Continue adding the treads, by using the part D01 inserted into the tread (L03).
12. Finally add the stair landing (E02). After having chosen the stair rotation (fig. 7), position the landing (E02) with the small hole (which is needed for the baluster passage (C03)) on the arrival side of the treads (L03) (fig. 8) Cut the landing (E02), if necessary, in relation to the floor opening.
13. Insert the parts B05, B04 and screw the part B03 sufficiently (fig. 1) but keeping in mind that the treads still have to be rotated (fig. 1).

Fitting of the Landing

14. Approach the part F12 to the floor. Determine the position, maintaining a distance of about 15 cm (6") from the external side of the landing (E02), pierce with drill bit \varnothing 14 mm ($\frac{9}{16}$ ") and fix securely by using the part B13 (fig. 1).
15. Fix the parts F12 to the landing (E02), by using the parts C58 (pierce the landing (E02) with the drill bit \varnothing 5 mm ($\frac{13}{64}$ ").
16. Position the parts B95.

Assembly of the Railing

17. Spread-out the treads (L03) fan-like. It is now possible to use the stair.
18. Starting from the landing (E02), insert the longer railing balusters (C03), that build the connection between the treads (L03). Keep the balusters (C03) with the part C63 and the pierced part to the top (fig. 8). Tighten only the part B20 of the lower tread (fig. 2).
19. Check very carefully the vertical position of the inserted balusters C03. This control is very important for insuring the best results.
20. Tighten securely the part B03 (fig. 8).
21. Tighten securely the part B02 of the upper tread (fig. 2).
22. Check once more the vertical position of the railing balusters (C03) and, if necessary, correct it, by repeating the previous operations.
23. Position the first baluster (C03). Cut one long baluster (C03) to obtain the same size as all others you assembled previously.
24. Fix into the floor in relation to the first baluster (C03), the part F01, by piercing with the drill bit \varnothing 8 mm ($\frac{5}{16}$ "). Use the parts C58, B12, B83 and B02 (fig. 1). Then assemble the reinforcing part (F07).
25. Find the handrail piece not marked in red colour (A13) and the one marked in red colour (A14) which will be used for the railing of the landing (E02) (fig. 9).

26. Start to model the handrail pieces (A13) not marked in red colour, trying to give it a shape that corresponds the nearest possible to the curve of the staircase (fig. 1).
27. Beginning from the baluster (C03) on the landing (E02), start to fasten the handrail (A13), that you have already slightly bent in the previous operation. Use the parts C64 together with the screw driver.
Warning: position the join line of the handrail covering downwards.
28. Connect all other handrail pieces (A13), by screwing, glueing and shaping them. Use the parts B33 and D72.
29. When you reach the first baluster (C03) at the bottom of the stair, cut the excess piece of the handrail with a hacksaw.
30. Complete the handrail (A13) by assembling the part A12. Use the parts C64 and the glue (X01) (fig. 1).
31. Insert all remaining railing balusters into the treads (L03), tighten the part B20 and fix to the handrail (A13), paying careful attention to the vertical position. (for the stairs with a diameter larger than 140 cm (4'7 1/8"), we suggest that you first assemble the shorter balusters) (fig. 10). According to the geometrical characteristics of the staircase, the intermediate balusters may protrude from the lower part of the step, in which case we advise cutting them off level with the step to obtain a more attractive finish.
32. Check again the regular shape of the handrail (A13) and, if necessary, correct it with a rubber hammer.
33. Complete the railing assembly by fitting the parts B82 into the lower part of the balusters (C03) and the parts C19 into the lateral part of the treads (fig. 1).

Assembly of the Balustrade

34. Screw the baluster (C04) into the part G01 that sticks out from the landing (E02) (fig. 8).
35. Set the parts F01, by using the parts C58, B83, B02 onto the landing (E02). Pierce with the drill bit \emptyset 5 mm ($13/64"$) the landing (E02), maintaining a similar distance between the holes as the one between the already assembled railing balusters (C03).
36. Set the shorter balusters (C03) and tighten the part B02 (fig. 1)
37. Fix the part A15 into the baluster (C04), by using the part B02 (fig. 1).
38. Fix the handrail (A14) marked in red colour, using the parts C64 (fig. 1).
39. In case there were walls around the stair well and on their position, it could be necessary to position one or two more balusters (C03) (fig. 10).
40. In that case it is necessary to consider either the distance between all other balusters, or otherwise the distance from the wall. For the fixing it is suggested to pierce the landing (E02) with a drill bit \emptyset 5 mm ($13/64"$) and to use the fixing parts F01, C58, B83, B02. Whereas for the fixing into the floor it is suggested to pierce the floor with a drill bit \emptyset 12 mm ($15/32"$) and to use the parts F01, B02, B87 (fig. 11). In case it is necessary to join the landing baluster to the floor-mounted baluster, (fig. 10), shape the handrails carefully, following the curves. If wrinkles should form on the inside of the handrails, this is not a defect. Rubbing the area energetically with a paper napkin (to generate heat) will cause them to disappear.

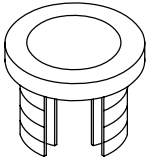
Final Assembly

41. In order to re-inforce the staircase at the intermediate points, you must fix into the wall the parts F09 and connect them to the balusters (C03) by means of the parts F08. Pierce the wall with a drill bit \emptyset 8 mm ($5/16"$) and use the parts C50, C49, C58, B12 (fig. 12).

After you have finished assembling the staircase,
please visit our website and send us your suggestions: www.arke.ws

TAB 1

A	B		
	Ø 120 cm 3' 11 1/4"	Ø 140 cm 4' 7 1/8"	Ø 160 cm 5' 3"
A12	3	3	3
A13	5	5	5
A14	1	1	1
A15	2	2	2
B02	13	15	15
B03	1	1	1
B04	1	1	1
B05	1	1	1
B12	7	7	10
B13	6	6	6
B17	1	1	1
B20	40	52	52
B33	6	6	6
B46	2	2	2
B47	1	1	1
B82	24	36	36
B83	9	11	11
B95	3	3	3
C03	33	47	47
C04	1	1	1
C19	40	52	52
C23	2	2	2
C24	72	101	101
C25	40	52	52
C49	2	2	3
C50	2	2	3
C58	21	23	26
C63	33	47	47
C64	73	101	101
C65	33	47	47
C66	33	47	47
D01	4	6	6
D08	119	119	119
D12	1	1	1
D14	1	1	1
D15	12	12	12
D72	5	5	5
E02	1	1	1
F01	9	11	11
F07	1	1	1
F08	2	2	3
F09	2	2	3
F12	3	3	3
G01	1	1	1
G02	2	2	2
G03	1	1	1
L03	12	12	12
X01	1	1	1



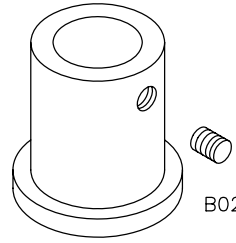
C24



C25

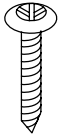


B20



F01

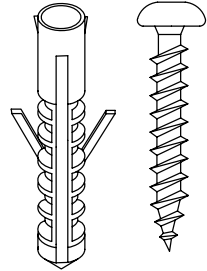
B02



C64



C19

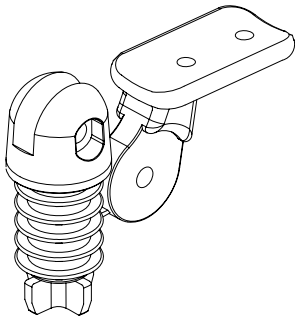


B12

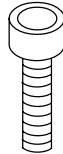
C58



B82



C63



C50



C49



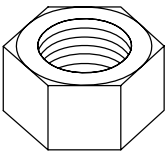
B83



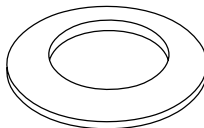
C65



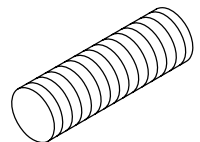
C66



B03



B04



B33

Italiano

Per determinare la quantità necessaria dei dischi distanziatori (D08) utilizzare la TAB. 2 (H = altezza, A = alzate, X = numero dei dischi distanziatori (D08) da posizionare sul distanziatore (D15), Y = numero dei dischi distanziatori (D08) da posizionare sul distanziatore (D14)).

Esempio: per un'altezza misurata da pavimento a pavimento di 298 cm e una scala con 13 gradini occorre:

1. In corrispondenza dell'altezza (298 cm), nella colonna H, leggere la quantità dei dischi distanziatori necessari (X = 6, Y = 12, nella colonna A/13).
2. Distribuire i dischi distanziatori (D08), nel modo seguente: 6 dischi distanziatori (D08) su ogni distanziatore (D15) posizionandone 3 sopra e 3 sotto, 12 dischi distanziatori (D08) sull'unico distanziatore (D14), il più corto, posizionandone 3 sopra e 9 sotto.

English

To determine the necessary number of spacers (D08), you must look-up the table TAB.2 (H = Height, A = Rises, X = quantity of spacers (D08) to position onto the spacer (D15), Y = quantity of the spacers (D08) to position onto the spacer (D14)).

Example: given a floor-to-floor height of 298 cm (9' 9 3/8") and a staircase with 13 treads, you must proceed as follows;

1. At height (298 cm (9' 9 3/8") in the row H) look-up the number of necessary spacers (X=6, Y=12, in the row A/13).
2. Distribute the spacers (D08), as follows: 6 spacers (D08) onto every spacer (D15) positioning three spacers on the top and three spacers on the bottom, twelve spacers (D08) onto the only spacer (D14), the shortest one, positioning three on the top and nine on the bottom.

Deutsch

Zur Bestimmung der Anzahl der Distanzringe (D08) die TAB. 2 benutzen (H = Höhe, A = Stufenhöhen, X = Anzahl Distanzringe (D08), die in den Distanzring (D15) gelegt werden müssen, Y = Anzahl Distanzringe (D08), die in den Distanzring (D14) gelegt werden).

Beispiel: für eine abgemessene Fussboden zu Fussbodenhöhe von 298 cm und eine Treppe mit 13 Stufen, wird folgendes benötigt;

1. Bei der Höhenangabe von (298 cm), in der Tabelle H, die Anzahl der nötigen Distanzringe ablesen (X = 6, Y = 12, in der Tabelle A/13)
2. Die Distanzringe (D08) so verteilen: 6 Distanzringe (D08) auf jeden Distanzring (D15), in dem 3 oben und 3 unten eingelegt werden, 12 Distanzringe (D08) auf dem einzigen, dem kürzesten, Distanzring (D14), in dem 3 oben und 9 unten eingelegt werden.

Français

Afin de déterminer la quantité nécessaire des entretoises (D08) employer le TAB. 2 (H = hauteur totale, A = hauteurs, X = numéro des entretoises (D08) à positionner sur l'entretoise (D15), Y = numéro des entretoises (D08) à positionner sur l'entretoise (D14)).

Exemple: pour une hauteur sol à sol mesuré de 298 cm (9' 9 3/8") et un escalier avec 13 marches il faut:

1. Par rapport à la hauteur (298 cm (9' 9 3/8"), dans la colonne H), lire la quantité des entretoises nécessaires (X = 6, Y = 12, dans la colonne A/13)
2. Distribuer les entretoises (D08), à la manière suivante: 6 entretoises (D08) sur chaque entretoise (D15) en positionnant 3 au-dessus et 3 au-dessous, 12 entretoises (D08) sur l'unique entretoise (D14), la plus courtes, en y positionnant 3 au-dessus et 9 au-dessous.

Español

Para determinar la cantidad necesaria de discos distanciadores (D08) utilizar la TABLA 2 (H = altura, A = tabicas, X = número de discos distanciadores (D08) a colocar sobre los distanciadores (D15), Y = número de discos distanciadores (D08) a colocar sobre el distanciador (D14)).

Ejemplo: para una altura de pavimento a pavimento de 298 cm (9'9 3/8") y una escalera con 13 peldaños es necesario;

1. En la línea de la altura (298 cm (9' 9 3/8"), en la columna H), leer la cantidad de discos distanciadores necesarios (X = 6, Y = 12, en la columna A/13).
2. Distribuir los discos distanciadores (D08), de la siguiente manera: 6 discos distanciadores (D08) sobre cada distanciador (D15) colocando 3 arriba y 3 abajo, 12 discos distanciadores (D08) sobre el único distanciador (D14), el más corto, colocar 3 discos arriba y 9 abajo.

Português

Para determinar a quantidade necessária dos discos distanciadores (D08) utilizar a TAB. 2 (H = altura, A = altura do degrau X = número dos discos distanciadores (D08) a posicionar sobre o distanciador (D15), Y = número dos discos distanciadores (D08) a posicionar sobre o distanciador (D14)).

Exemplo: para uma altura medida de um pavimento ao outro de 298 cm (9' 9 3/8") e uma escada com 13 degraus ocorre;

1. Deacordo com a altura (298 cm (9' 9 3/8"), na coluna H), ler a quantidade dos discos distanciadores necessários (X = 6, Y = 12, na coluna A/13)
2. Distribuir os discos distanciadores (D08), do seguinte modo: 6 discos distanciadores (D08) em cada distanciador (D15) posicionando 3 em cima e 3 em baixo, 12 discos distanciadores (D08) em um único distanciador (D14) o mais curto, posicionar 3 em cima e 9 em baixo.

Nederlands

Om het benodigde aantal tussenstukken (D08) te bepalen, met behulp van TAB.2 (H=H=hoogte, A= hoogten, X de nummer van de tussenstukken (D08) aan de tussenstukken (D15) te leggen, Y = de nummer van de tussenstukken (D08) aan de tussenstukken (D14) te leggen.)

Voorbeeld: voor een hoogte van 298 cm (vloer tot vloer) en een trap van 13 treden, doet men het volgende:

1. In functie vande hoogte (298 cm (9' 9 3/8") in de tabel H), leestmen het benodigde aantal tussenstukken af (X = 6, Y = 12, dans la colonne A/13).
2. Men verdeelt de tussenstukken (D08) aan de verschillende manier: 6 tussenstukken (D08) op elke tussenstukken (D15) en leggen men er 3 op en er 3 onder, 12 tussenstukken (D08) op de enig tussenstukken D14, de meer kort en leggen er 9 onder en er 3 op.

Polski

Aby określić potrzebną ilość krząków odległościowych (D08) należy posłużyć się tabelą TAB. 2 (H = wysokość, A = podstopnie, X = liczba krząków odległościowych (D08) do umieszczenia na przekładce (D15), Y = ilość krząków odległościowych (D08) do umieszczenia na przekładce (D14)).

Przykład; przy odległości odmierzonej od posadzki do posadzki równej 298 cm i schodach o 13 stopniach, należy:

1. Dla wysokości (298 cm, w kolumnie H), należy odczytać niezbędną ilość krząków odległościowych (X = 6, Y = 12, w kolumnie A/13)
2. Rozmieścić krząki odległościowe (D08), w następujący sposób: po 6 krząków odległościowych (D08) na każdej przekładce (D15) umieszczając z nich 3 nad i 3 pod, 12 krząków odległościowych (D08) na jednej, tej najkrótszej przekładce (D14), umieszczając z nich 3 nad i 9 pod.

Česky

Pro určení potřebného množství rozpěrných disků (D08) použijte TAB. 2 (H = výška, A = výšky schodů, X = množství rozpěrných disků (D08) k umístění na rozpěru (D15), Y = množství rozpěrných disků (D08) k umístění na rozpěru (D14)).

Příklad: pro naměřenou výšku od podlahy k podlaze 298 cm a schodiště o 13 schodnicích je třeba:

1. V řádku odpovídajícímu výšce (298 cm ve sloupci H) vyhledejte množství potřebných rozpěrných disků (X = 6, Y = 12, ve sloupci A/13).
2. Rozmístěte rozpěrné disky (D08) následujícím způsobem: 6 rozpěrných disků (D08) na každou rozpěru (D15), přičemž umístíte 3 nad a 3 doespodu, 12 rozpěrných disků (D08) na jedinou, nejkratší rozpěru (D14), přičemž umístíte 3 nad a 9 doespodu.

Magyar

A távtartó korongok (D08) szükséges darabszámának megállapításához használdj a 2. TÁBLÁZATOT (H = lépcsőfok magasság, A = lépcsőfokok száma, X = távtartó korongok száma (D08) amit a D15-ös távtartóra kell helyezni, Y = távtartó korongok száma (D08) amit a D14-es távtartóra kell helyezni).

Például: ha a padlószintek között 298 cm van és a lépcsőnek 13 foka van:

TAB 2 - cm

H	A		X	Y
	10	11		
210	0	2		
211	0	6		
212	0	9		
213	1	3		
214	1	7		
215	2	1		
216	2	4		
217	2	8		
218	3	2		
219	3	5		
220	3	9		
221	4	3		
222	4	6		
223	5	1		
224	5	4		
225	5	7		
226	6	2		
227	6	5		
228	6	8		
229	7	3		
230	7	6		
231	7	9		
232	8	4	0	6
233	8	7	0	9
234	8	10	0	12
235	8	14	1	6
236			1	9
237			1	12
238			2	6
239			2	9
240			2	12
241			3	6
242			3	9
243			3	12
244			4	6
245			4	9
246			4	12
247			5	6
248			5	9
249			5	12
250			6	6
251			6	9
252			6	12
253			7	6
254			7	9
255			7	12
256			8	6
257			8	9
258			8	12

H	A		X	Y
	12	13		
253	0	5		
254	0	8		
255	0	12		
256	1	4		
257	1	7		
258	1	11		
259	2	2		
260	2	6		
261	2	10		
262	3	2		
263	3	5		
264	3	9		
265	3	12		
266	4	4		
267	4	8		
268	4	11		
269	5	3		
270	5	7		
271	5	10		
272	6	2		
273	6	6		
274	6	9	0	4
275	6	12	0	8
276	7	5	0	11
277	7	8	1	2
278	7	11	1	6
279	8	4	1	9
280	8	7	1	12
281	8	10	2	4
282	8	13	2	7
283			2	10
284			3	2
285			3	5
286			3	8
287			3	12
288			4	3
289			4	6
290			4	10
291			5	1
292			5	4
293			5	8
294			5	11
295			6	2
296			6	6
297			6	9
298			6	12
299			7	4
300			7	7
301			7	10
302			8	2
303			8	5
304			8	8
305			8	12
306			8	14

H	A		X	Y
	14	15		
296	0	7		
297	0	10		
298	1	1		
299	1	4		
300	1	7		
301	1	11		
302	2	1		
303	2	4		
304	2	8		
305	2	11		
306	3	1		
307	3	5		
308	3	8		
309	3	11		
310	4	2		
311	4	5		
312	4	8		
313	4	11		
314	5	2		
315	5	5		
316	5	8		
317	5	12	0	6
318	6	2	0	9
319	6	6	0	12
320	6	9	1	2
321	6	12	1	5
322	7	3	1	9
323	7	6	1	12
324	7	9	2	1
325	7	12	2	5
326	8	3	2	8
327	8	6	2	11
328	8	9	3	1
329	8	12	3	4
330	8	15	3	7
331			3	11
332			3	14
333			4	3
334			4	7
335			4	10
336			4	13
337			5	3
338			5	6
339			5	9
340			5	12
341			6	2
342			6	5
343			6	9
344			6	12
345			7	1
346			7	5
347			7	8
348			7	11
349			8	1
350			8	4
351			8	7
352			8	11
353			8	13

H	A	
	X	Y
338	0	5
339	0	9
340	0	12
341	11	1
342	1	4
343	1	7
344	1	10
345	1	13
346	2	2
347	2	5
348	2	9
349	2	12
350	2	15
351	3	4
352	3	7
353	3	10
354	3	13
355	4	2
356	4	5
357	4	9
358	4	12
359	4	15
360	5	4
361	5	7
362	5	10
363	5	12
364	6	2
365	6	5
366	6	9
367	6	12
368	6	14
369	7	4
370	7	7
371	7	9
372	7	10
373	7	12
374	8	5
375	8	9
376	8	12
377	8	15

TAB 2 - in.

H		A		H		A		H		A		H		A	
10		11		12		13		14		15		16		17	
X	Y	X	Y	X	Y	X	Y	X	Y	X	Y	X	Y	X	Y
6'	10 5/8"	0	2			8'	3 5/8"	0	5			9'	8 1/2"	0	7
6'	11 1/8"	0	6			8'	4 "	0	8			9'	8 7/8"	0	10
6'	11 1/2"	0	9			8'	4 3/8"	0	12			9'	9 3/8"	1	1
6'	11 7/8"	1	3			8'	4 3/4"	1	4			9'	9 3/4"	1	4
7'	1 1/4"	1	7			8'	5 1/8"	1	7			9'	10 1/8"	1	7
7'	5/8"	2	1			8'	5 5/8"	1	11			9'	10 1/2"	1	11
7'	1 "	2	4			8'	6 "	2	2			9'	10 7/8"	2	1
7'	1 3/8"	2	8			8'	6 3/8"	2	6			9'	11 1/4"	2	4
7'	1 7/8"	3	2			8'	6 3/4"	2	10			9'	11 3/4"	2	8
7'	2 1/4"	3	5			8'	7 1/8"	3	2			10'	1/8"	2	11
7'	2 5/8"	3	9			8'	7 1/2"	3	5			10'	1/2"	3	1
7'	3 "	4	3			8'	8 "	3	9			10'	7/8"	3	5
7'	3 3/8"	4	6			8'	8 3/8"	3	12			10'	1 1/4"	3	8
7'	3 3/4"	5	1			8'	8 3/4"	4	4			10'	1 5/8"	3	11
7'	4 1/4"	5	4			8'	9 1/8"	4	8			10'	2 "	4	2
7'	4 5/8"	5	7			8'	9 1/2"	4	11			10'	2 1/2"	4	5
7'	5 "	6	2			8'	9 7/8"	5	3			10'	2 7/8"	4	8
7'	5 3/8"	6	5			8'	10 1/4"	5	7			10'	3 1/4"	4	11
7'	5 3/4"	6	8			8'	10 3/4"	5	10			10'	3 5/8"	5	2
7'	6 1/8"	7	3			8'	11 1/8"	6	2			10'	4 "	5	5
7'	6 1/2"	7	6			8'	11 1/2"	6	6			10'	4 3/8"	5	8
7'	7 "	7	9			8'	11 7/8"	6	9	0	4	10'	4 3/4"	5	12
7'	7 3/8"	8	4	0	6	9'	1 1/4"	6	12	0	8	10'	5 1/4"	6	2
7'	7 3/4"	8	7	0	9	9'	5/8"	7	5	0	11	10'	5 5/8"	6	6
7'	8 1/8"	8	10	0	12	9'	1 "	7	8	1	2	10'	6 "	6	9
7'	8 1/2"	8	14	1	6	9'	1 1/2"	7	11	1	6	10'	6 3/8"	6	12
7'	8 7/8"	1	9	1	9	9'	1 7/8"	8	4	1	9	10'	6 3/4"	7	3
7'	9 1/4"	1	12	1	12	9'	2 1/4"	8	7	1	12	10'	7 1/8"	7	6
7'	9 3/4"	2	6	2	6	9'	2 5/8"	8	10	2	4	10'	7 1/2"	7	9
7'	10 1/8"	2	9	2	9	9'	3 "	8	13	2	7	10'	8 "	7	12
7'	10 1/2"	2	12	2	12	9'	3 3/8"	8	13	2	10	10'	8 3/8"	8	3
7'	10 7/8"	3	6	3	6	9'	3 7/8"	8	4	3	2	10'	8 3/4"	8	6
7'	11 1/4"	3	9	3	9	9'	4 1/4"	8	7	3	5	10'	9 1/8"	8	9
7'	11 5/8"	3	12	3	12	9'	4 5/8"	8	10	3	8	10'	9 1/2"	8	12
8'	1/8"	4	6	4	6	9'	5 "	8	12	3	12	10'	9 7/8"	8	15
8'	1/2"	4	9	4	9	9'	5 3/8"	8	13	4	3	10'	10 3/8"	8	3
8'	7/8"	4	12	4	12	9'	5 3/4"	8	16	4	6	10'	10 3/4"	8	14
8'	1 1/4"	5	6	5	6	9'	6 1/8"	8	7	4	10	10'	11 1/8"	8	9
8'	1 5/8"	5	9	5	9	9'	6 5/8"	8	10	5	1	10'	11 1/2"	8	12
8'	2 "	5	12	5	12	9'	7 "	8	13	5	4	10'	11 7/8"	8	15
8'	2 3/8"	6	6	6	6	9'	7 3/8"	8	13	5	8	11'	1/4"	8	13
8'	2 7/8"	6	9	6	9	9'	7 3/4"	8	14	5	11	11'	5/8"	8	14
8'	3 1/4"	6	12	6	12	9'	8 1/8"	8	15	6	2	11'	1 1/8"	8	15
8'	3 5/8"	7	6	7	6	9'	8 1/2"	8	16	6	6	11'	1 1/2"	8	16
8'	4 "	7	9	7	9	9'	8 7/8"	8	17	6	9	11'	1 7/8"	8	17
8'	4 3/8"	7	12	7	12	9'	9 3/8"	8	18	6	12	11'	2 1/4"	8	18
8'	4 3/4"	8	6	8	6	9'	9 3/4"	8	19	7	4	11'	2 5/8"	8	19
8'	5 1/8"	8	9	8	9	9'	10 1/8"	8	20	7	7	11'	3 "	8	20
8'	5 5/8"	8	12	8	12	9'	10 1/2"	8	21	7	10	11'	3 3/8"	8	21
						9'	10 7/8"	8	22	8	2	11'	3 7/8"	8	22
						9'	11 1/4"	8	23	8	5	11'	4 1/4"	8	23
						9'	11 3/4"	8	24	8	8	11'	4 5/8"	8	24
						10'	1/8"	8	25	8	12	11'	5 "	8	25
						10'	1/2"	8	26	8	14	11'	5 3/8"	8	26
												11'	5 3/4"	8	27
												11'	6 1/4"	8	28
												11'	6 5/8"	8	29
												11'	7 "	8	30

FIG. 1

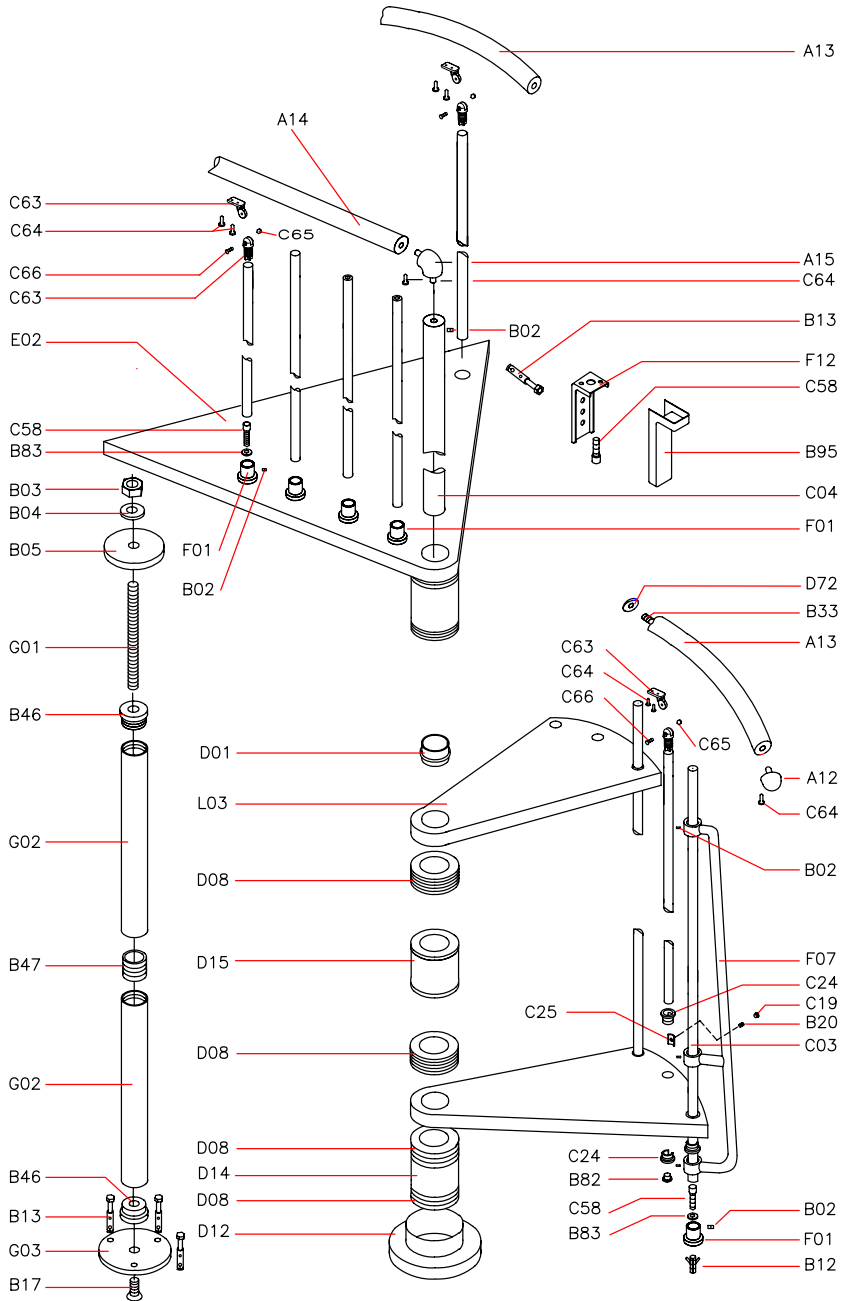


FIG. 2

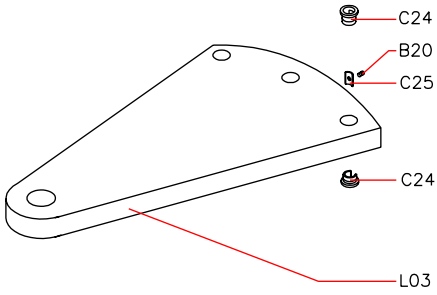


FIG. 3

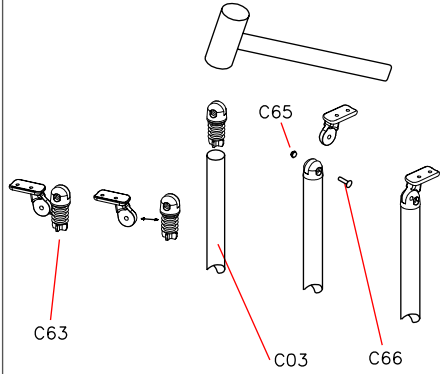


FIG. 4

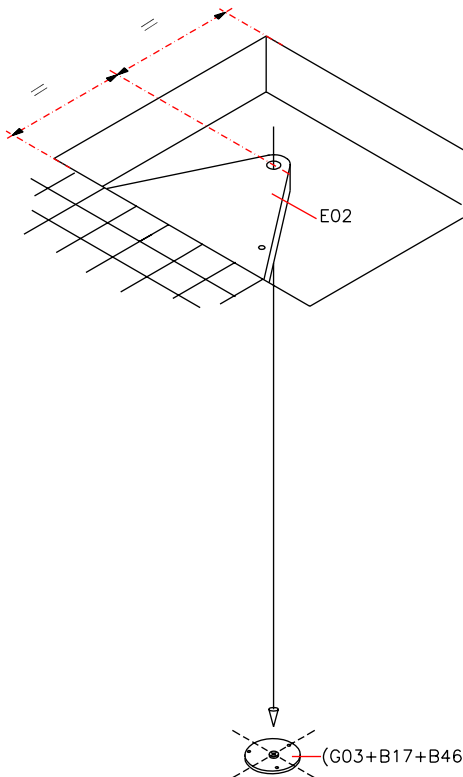


FIG. 5

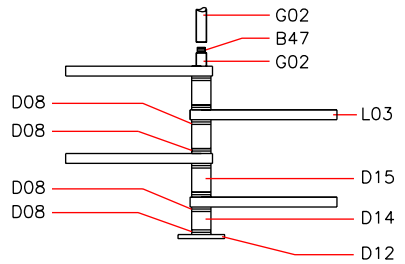


FIG. 6

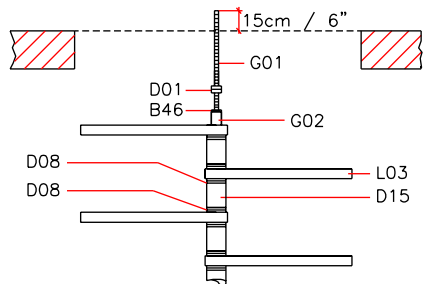
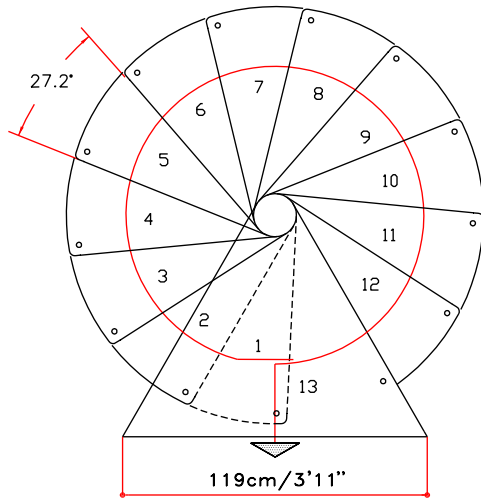
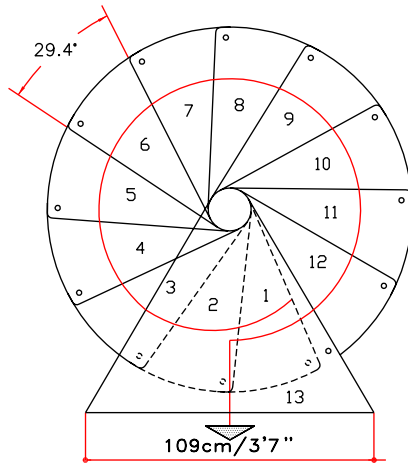
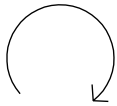


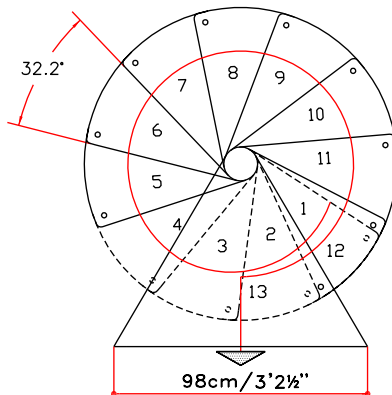
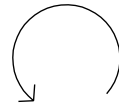
FIG. 7



Ø160 cm
Ø 5'3"



Ø140 cm
Ø 4'7½"



Ø120 cm
Ø 3'11¼"

FIG. 8

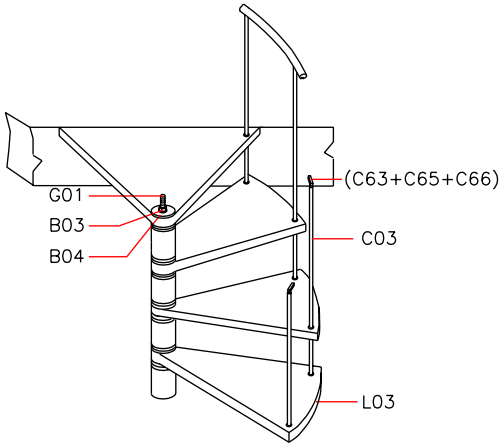


FIG. 9

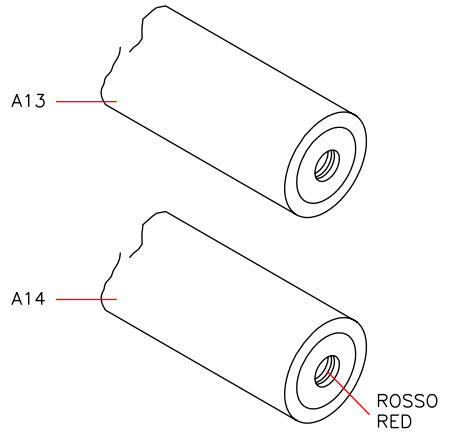


FIG. 10

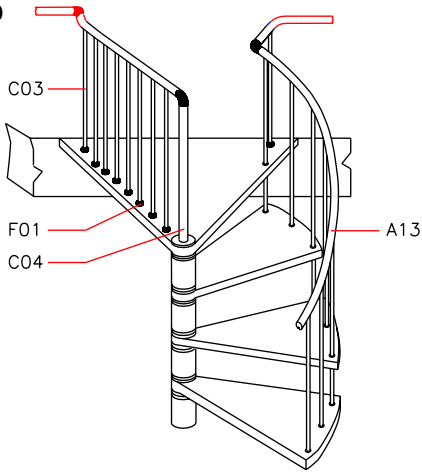


FIG. 11

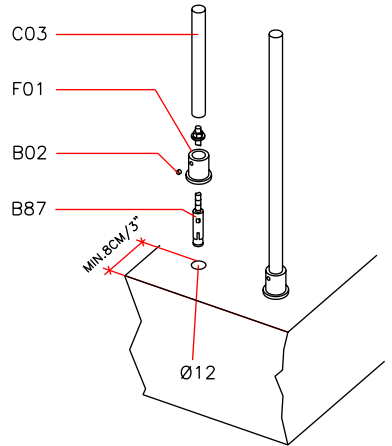
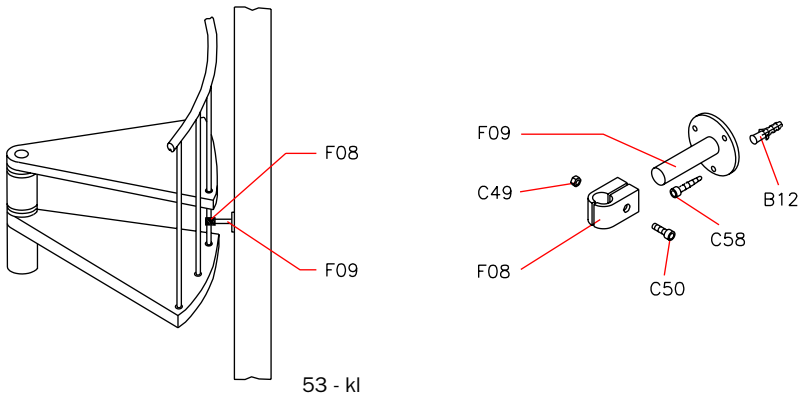
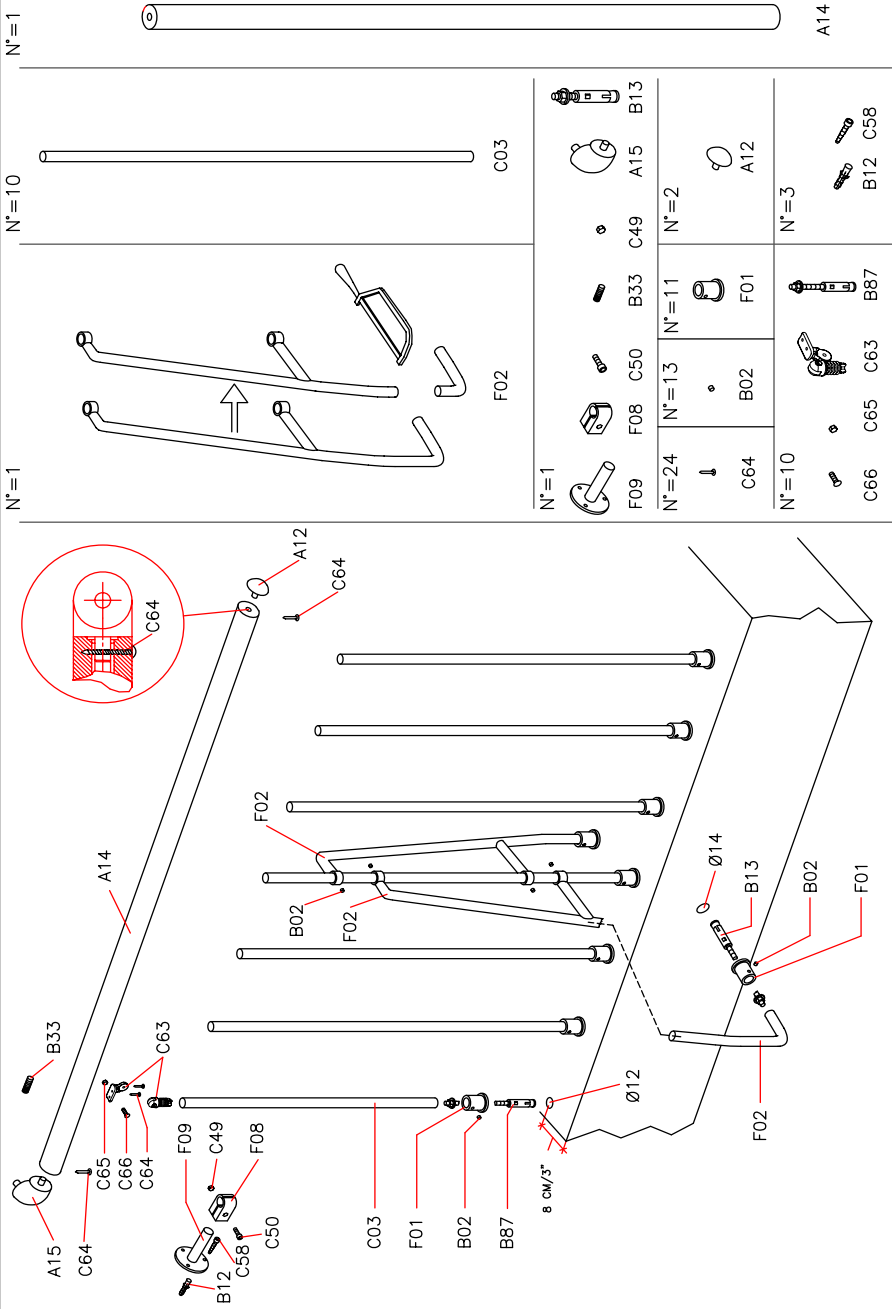


FIG. 12







Italiano

English

Deutsch

Français

Español

Português

Nederlands

Polski

Česky

Magyar

Română

Русский

Hrvatski

Srpski

Slovenščina

Dansk

Svenska

Suomi

Eesti keel

DATI IDENTIFICATIVI DEL PRODOTTO

PRODUCT DETAILS

PRODUKTEIGENSCHAFTEN

DONNÉES D'IDENTIFICATION DU PRODUIT

DATOS DE IDENTIFICACIÓN

DADOS DE IDENTIFICAÇÃO

KENMERKENDE PRODUCTGEGEVENS

DANE IDENTYFIKACYJNE PRODUKTU

IDENTIFIKAČNÍ ÚDAJE O VÝROBKU

A TERMÉK AZONOSÍTÓ ADATAI

DATELE DE IDENTIFICARE A PRODUSULUI

ИДЕНТИФИКАЦИОННЫЕ ДАННЫЕ ТОВАРА

IDENTIFIKACIJSKI LIST PROIZVODA

IDENTIFIKACIJSKI LIST PROIZVODA

IDENTIFIKACIJSKI LIST IZDELKA

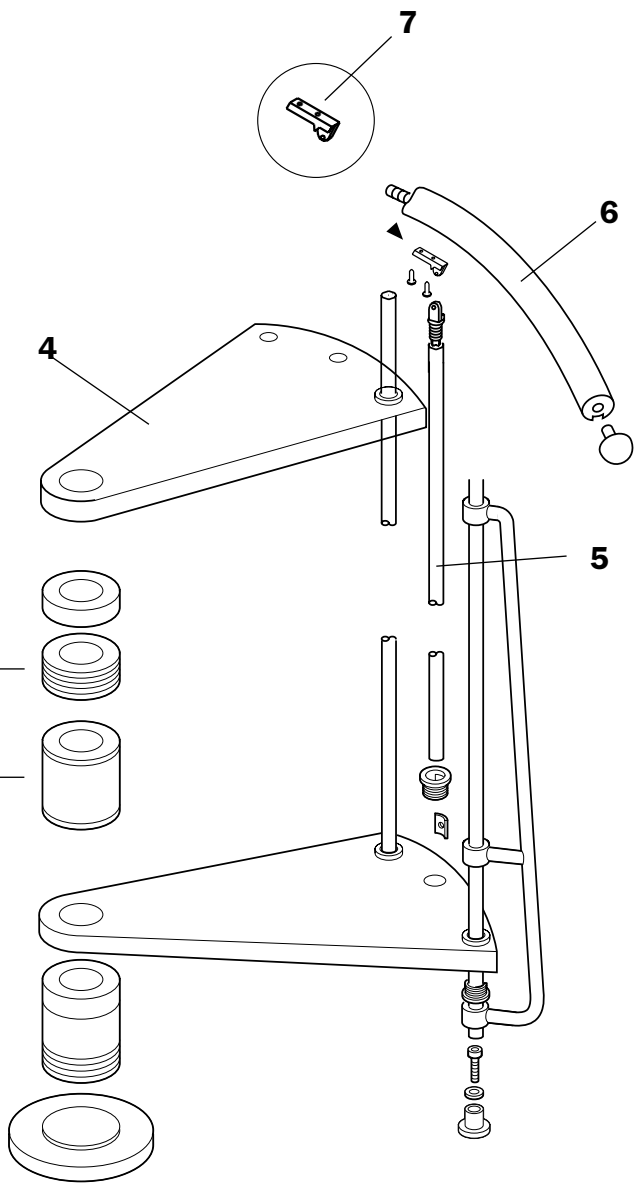
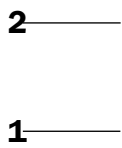
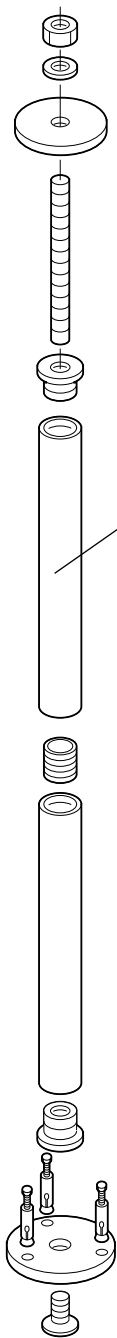
PRODUKTETS IDENTIFIKATIONSDATA

PRODUKT DETALJER

TIETOJA TUOTTEESTA

TOOTE ANDMED





I)

dati identificativi del prodotto

denominazione commerciale: **KL**

tipologia: scala a chiocciola a pianta tonda

materiali impiegati

STRUTTURA

descrizione

composta da distanziali **(1)** in metallo e spessori **(2)** in plastica impilati e compressi sul palo **(3)** centrale modulare

materiali

distanziali: Fe 370

spessori: ABS

palo: Fe 370 zincato

finitura

distanziali: verniciatura a forno con polveri epossidiche

GRADINI

descrizione

gradini **(4)** in legno circolari impilati sul palo **(3)** centrale

materiali

faggio

finitura

tinta: all'acqua

fondo: poliuretano

finitura: poliuretano

RINGHIERA

descrizione

composta da colonnine **(5)** verticali in metallo fissate ai gradini **(4)** e da un corrimano **(6)** di PVC

materiali

colonnine: Fe 370

corrimano: PVC con anima in alluminio

fissaggi **(7)**: nylon

finitura

colonnine: verniciatura a forno con polveri epossidiche

PULIZIA

pulire con panno morbido inumidito in acqua, privo di qualsiasi prodotto contenente solventi o materiali abrasivi.

MANUTENZIONE

dopo circa 12 mesi dalla data di installazione, controllare il serraggio della viteria dei vari componenti. la manutenzione straordinaria deve essere eseguita a regola d'arte.

PRECAUZIONI D'USO

evitare usi impropri e non consensi al prodotto. eventuali manomissioni o installazioni non rispondenti alle istruzioni del produttore possono inficiare le conformità prestabilite del prodotto.

GB)

product details

trade name: **KL**

type: spiral round plan staircase

used materials

STRUCTURE

description

composed by metal spacers **(1)** and plastic spacers **(2)** stacked and packed on the central modular pole **(3)**

materials

spacers: Fe 370

plastic spacers: ABS

pole: Fe 370 galvanized

finishing

spacers: oven varnishing with epoxy powders

TREADS

description

wooden circular treads **(4)** stacked on the central pole **(3)**

materials

beech

finishing

colour: water-base

undercoat: polyurethane

finishing: polyurethane

RAILING

description

composed by metal vertical balusters **(5)** fixed to treads **(4)** and by a PVC handrail **(6)**

materials

balusters: Fe 370

handrail: PVC with aluminium core

fixings **(7)**: nylon

finishing

spindles: oven varnishing with epoxy powders

CLEANING

clean with a soft wet cloth, without any product containing solvents or abrasive materials.

MAINTENANCE

about 12 months after the installation date, check the tightening of bolts on the various components. all non-routine maintenance procedures must be carried out in a strictly professional manner.

USE PRECAUTION

avoid any improper use that is not in accordance with the product. possible violations or installations which don't comply with the providers instructions can invalidate the agreed product conformities.



KL

D.U.M
02/2013



—
arkè by Fontanot
Albini & Fontanot S.p.A.
Via P. Paolo Pasolini, 6
47853 Cerasolo Ausa
Rimini, Italy

tel. +39.0541.90.61.11
fax +39.0541.90.61.24
info@arke.ws
www.arke.ws

cod. 065298000