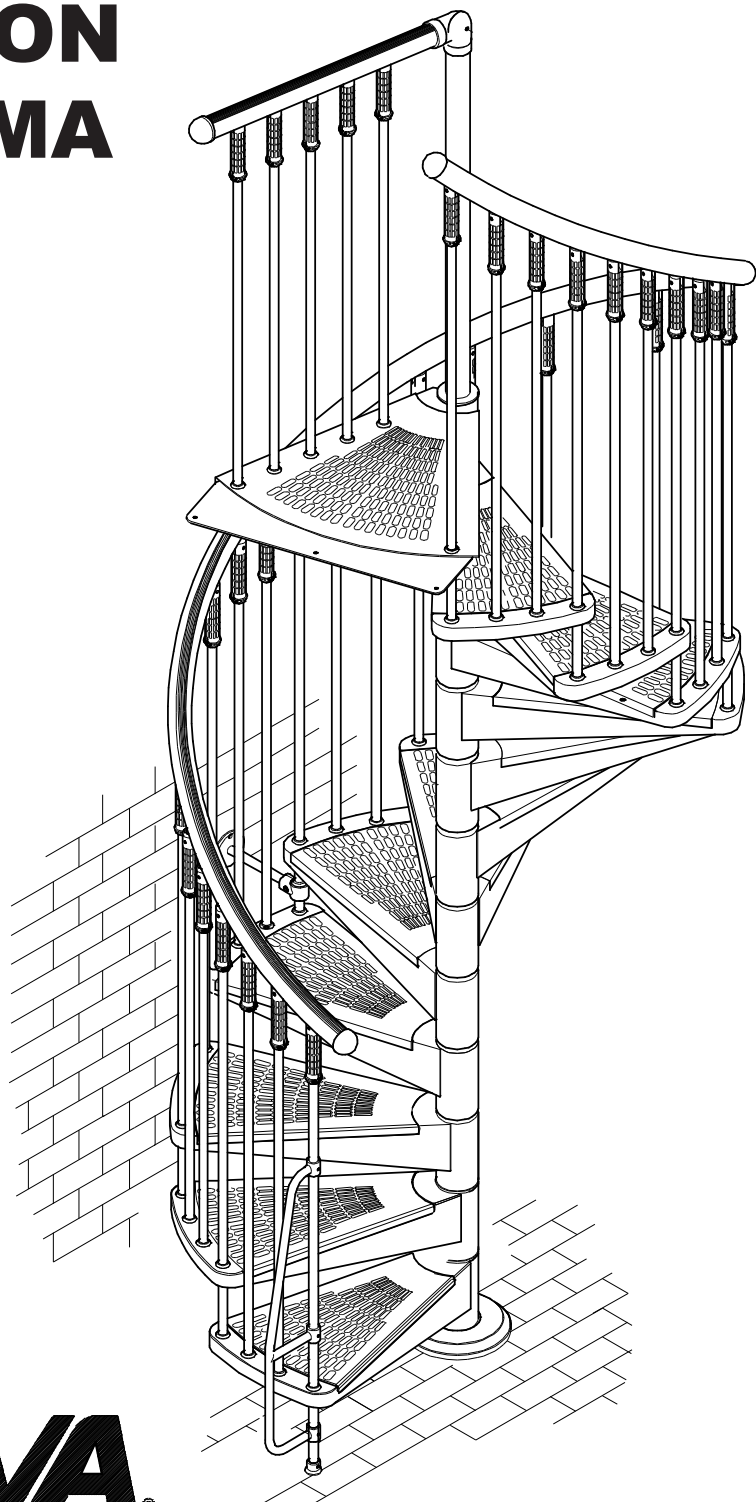


ASSEMBLY INSTRUCTIONS

GB

Mod. MOTION Mod. OPTIMA



EHLEVA[®]
advanced modular stair system

Code MD.K.300

Rev 02

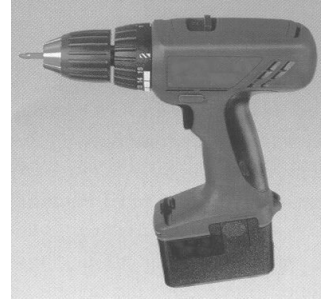
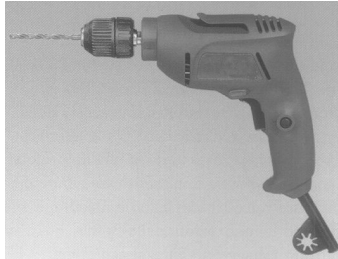
Edition 05/2007

CONTENTS

PART 1	Page 3
Assembly tools	“ 3
Components	“ 4
PART 2	Page 6
Set-Up	“ 6
Useful height measurement	“ 7
Table: Using the table	“ 7
Tracing	“ 10
Calculating the number of steps	“ 11
Assembling the steps	“ 11
Assembling the final step	“ 13
PART 3	Page 16
Preparing the columns	“ 16
Assembling the columns	“ 17
Assembling the handrail	“ 20
Assembling the baluster handrail	“ 22
Completion and checks	“ 23

PART 1

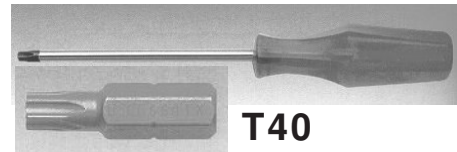
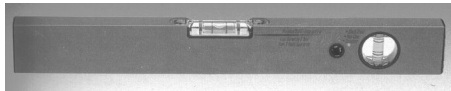
ASSEMBLY TOOLS



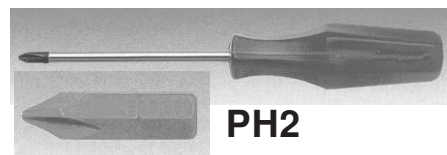
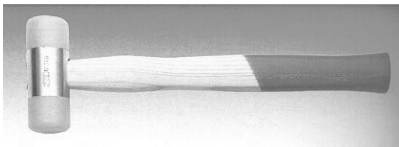
Ø10x150 - Ø12x80



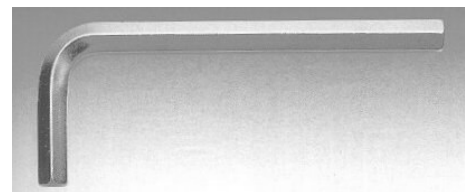
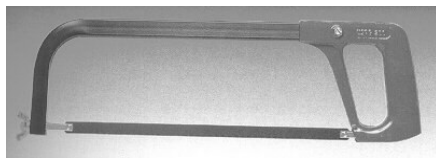
Ø3 - Ø11



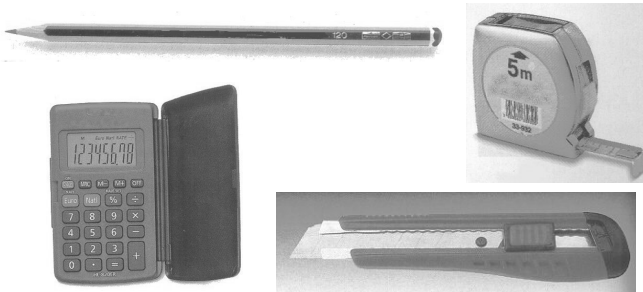
T40



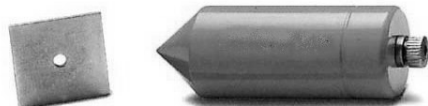
PH2



3 - 4 - 5 - 6 - 8

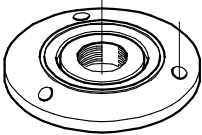
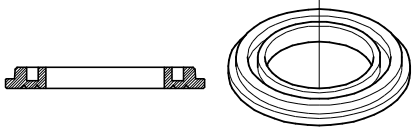
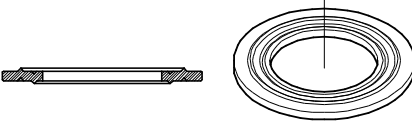
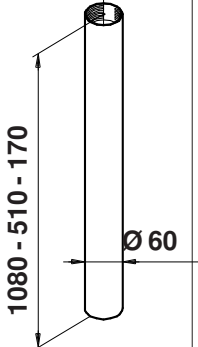
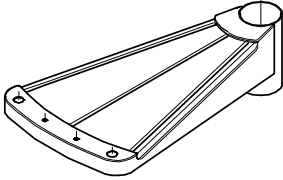
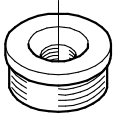
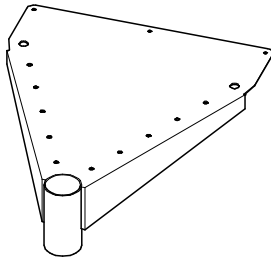
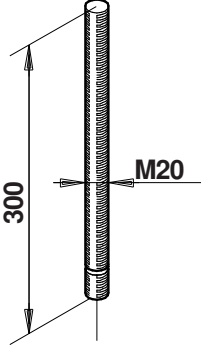
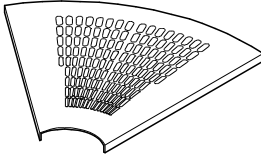
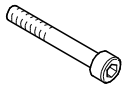
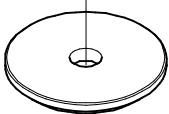


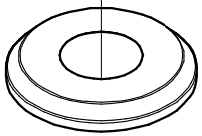
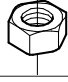



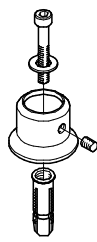
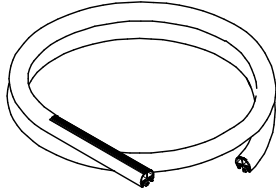
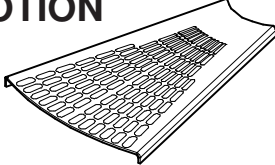
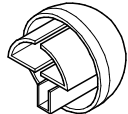

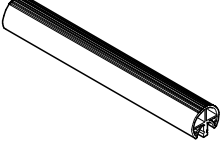

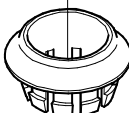
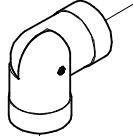

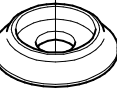
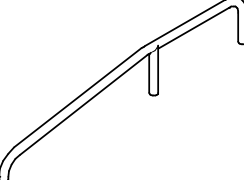

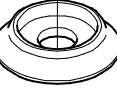
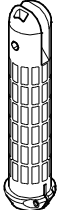
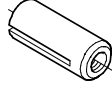
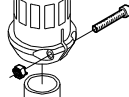


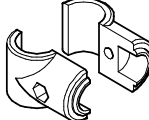
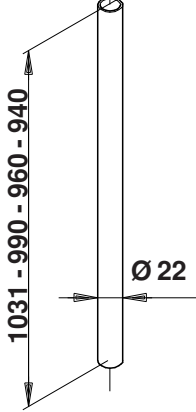
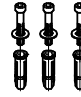
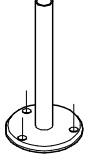

30



COMPONENTS

- Before proceeding to the various assembly stages, empty the cardboard package and arrange all parts on a flat surface to check that all components included in the list attached are present that no damaged parts are present

Ref.	Draw.	N. pcs.	Ref.	Draw.	N. pcs.
K1		1	K9		24
K2A	L. 510 mm	1	K10		60
K2B	L. 170 mm	2			
K2C	L. 1080 mm	2			
			K11		12
K4		1	K12		1
K5		1	K13	Only MOTION 	1
K6		3	K14		1
K7		3	K15		1
K8		1	K16		1
			K17		1

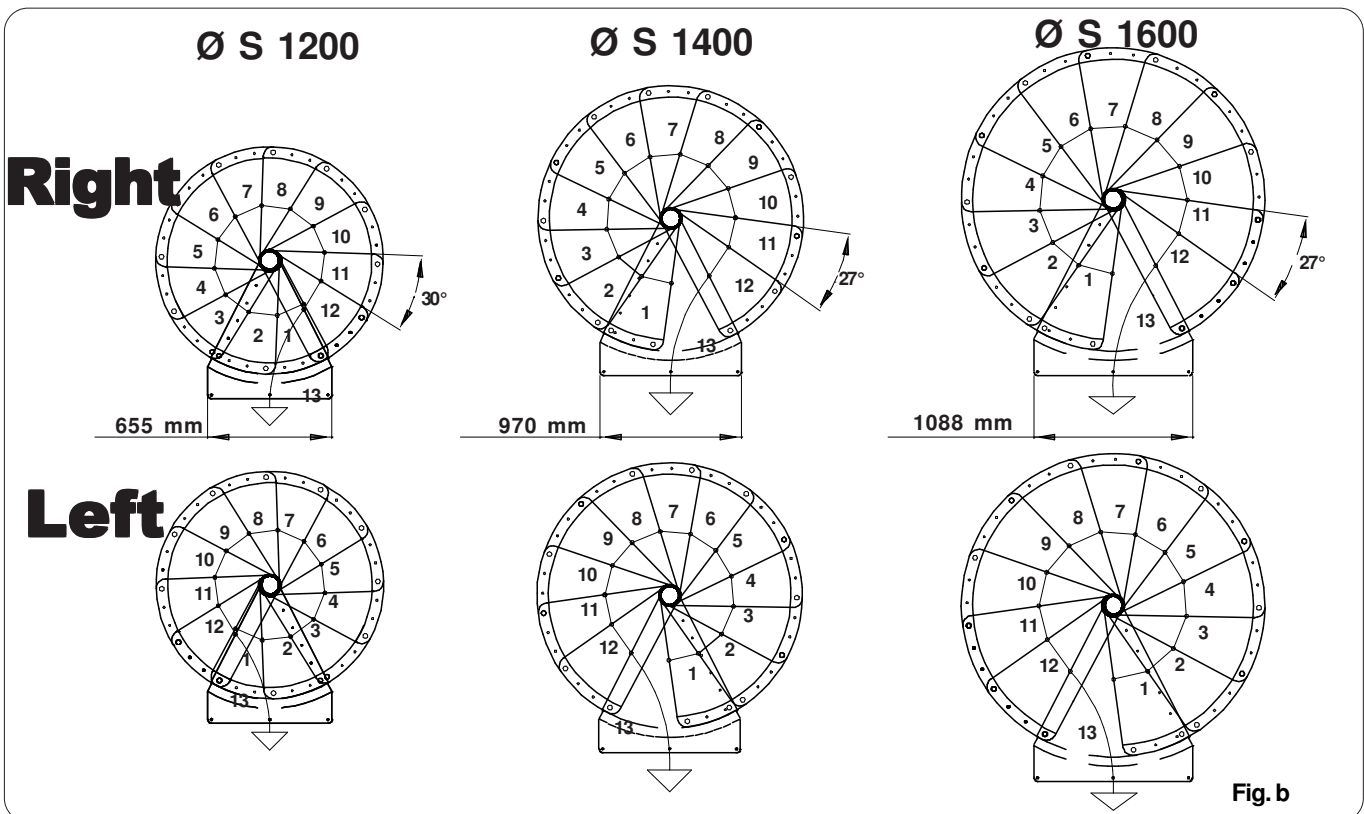
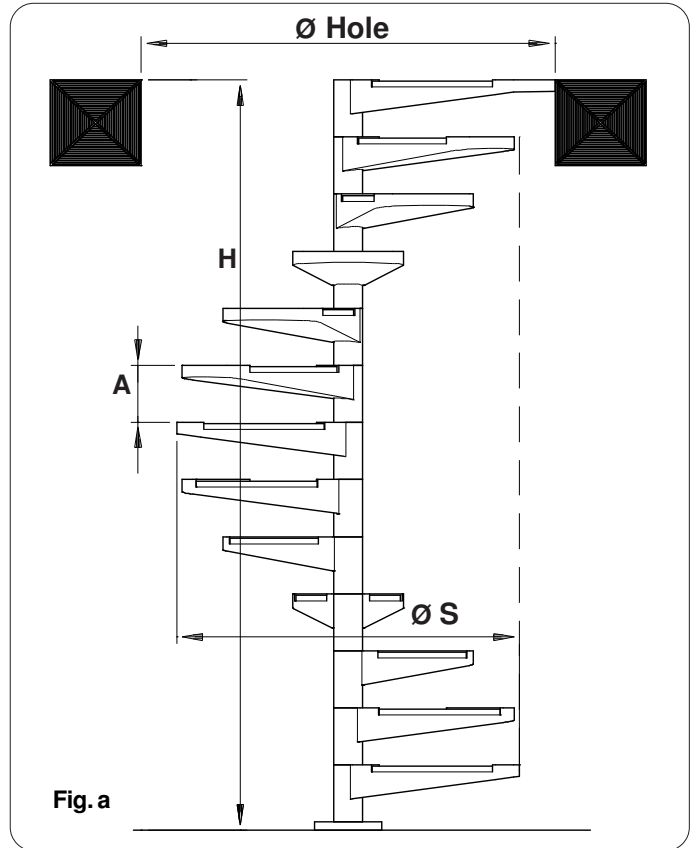
Ref.	Draw.	N. pcs.	Ref.	Draw.	N. pcs.
K18	 <div style="border: 1px solid black; padding: 2px; display: inline-block; margin-left: 10px;">M6x70 M6x6 Ø6x12</div>	1	K29		1
K19	Only MOTION 	12	K30		3
K150	Only OPTIMA 	13	K31		1
K20	 	13	K32		1
K21	 	39	K33		1
K22	 	13	K34		44
K23		44	K35	 <div style="border: 1px solid black; padding: 2px; display: inline-block; margin-left: 10px;">M4 M4x20</div>	96+96
K25	  <div style="border: 1px solid black; padding: 2px; display: inline-block; margin-left: 10px;">M10x40</div>	44	K36		4
K26	L. 940 mm 	12	K38	 	1
K27	L. 990 mm	12	K43	 <div style="border: 1px solid black; padding: 2px; display: inline-block; margin-left: 10px;">Ø10x140</div>	3
K28	L. 1031 mm	13			
K70	L. 960 mm	7			

PART 2

SET-UP

- To assemble the staircase correctly, the precise number of steps, their "A" rise and starting point must be identified so as to place the final top step in the correct position.
A rule is attached hereto which, according to the height that is to be reached, calculates the number of necessary steps and their rise. The following pages will illustrate how to consult the rule correctly. Some set-ups are reported on this page (fig. a – fig. b).

A – step rise
H – staircase height



USEFUL HEIGHT MEASUREMENT

- Measure the "H" height from the top ceiling to the bottom floor. In addition, measure the stairwell staircase. (Fig. 1)

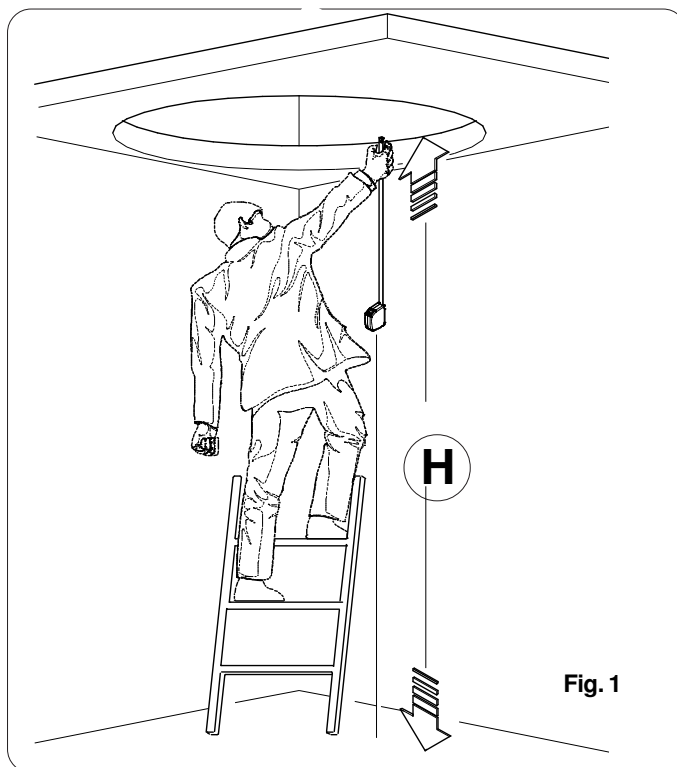













Fig. 1

TABLE: USING THE TABLE

- Column "H" Value of the measured height to be set
 - Column "G" Number of steps to be mounted.
 - Section "P" Including three columns relating to the length and the number of piles to be used. The number of parts to be assembled must be derived from the references above.
 - Section "A" Composed of six columns relating to the rise value. Under each column, the boxes report how many rises need to be created. Moreover, the six columns report the number and type of spacers to be mounted to achieve their respective rise.
- Search for the value of the measure "H" obtained in the respective column H. After having set the value, the adjacent columns report the parameters that need to be complied with to assemble the staircase. In the example reported below, a "H" height value was set amounting to 2805 mm. The column "G" shows that 13 (thirteen) steps are necessary. The section "P" shows that 2 (two) 1080 mm long **K2C** piles and 1 (one) 510 mm long **K2A** pile must be mounted. Section "A" shows the following parameters:
 N. 10 215 mm rises and n. 2 220 rises.
 The 215 rises require two **K9** spacers and one **K10** spacer
 The 220 rises require two **K9** spacers and two **K10** spacers.

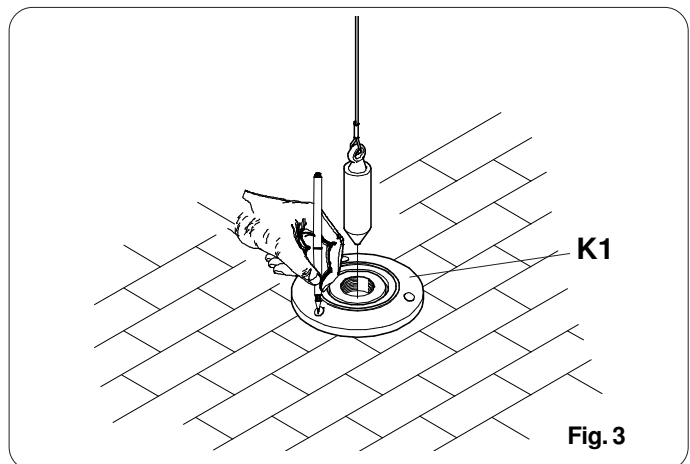
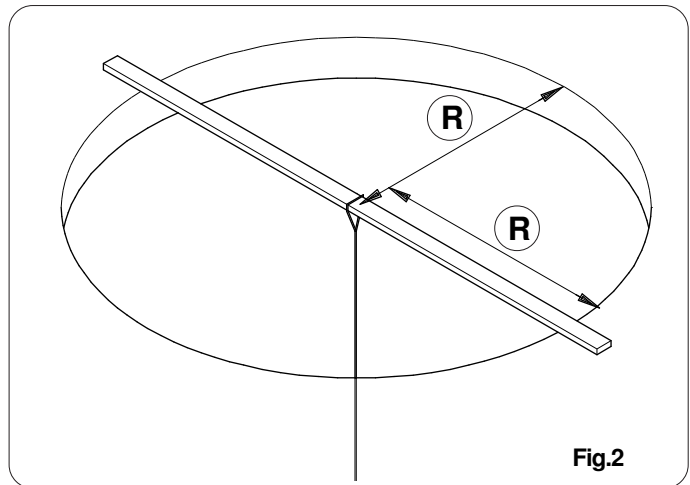
H.	G.	P			A mm					
		1080	510	170	210	215	220	225	230	235
2805	13									
		Rif. K2C	Rif. K2A	Rif. K2B	Rif. K9	Rif. K9	Rif. K9	Rif. K9	Rif. K9	Rif. K10
		2	1	-	0	1	2	3	4	5
						10	2			

H.	G.	P			A mm					
		1080	510	170	210	215	220	225	230	235
		Rif. K2C	Rif. K2A	Rif. K2B	Rif. K10					
2215	10	2	-	-			5	4		
2225	10	2	-	-			3	6		
2235	10	2	-	-			1	8		
2245	10	2	-	-				8	1	
2255	10	2	-	-				6	3	
2265	10	2	-	-				4	5	
2275	10	2	-	-				2	7	
2285	10	2	-	1					9	
2295	10	2	-	1					7	2
2305	10	2	-	1					5	4
2315	10	2	-	1					3	6
2325	10	2	-	1					1	8
2335	11	2	-	1	6	4				
2345	11	2	-	1	4	6				
2355	11	2	-	1	2	8				
2365	11	2	-	1		10				
2375	11	2	-	1		8	2			
2385	11	2	-	1		6	4			
2395	11	2	-	1		4	6			
2405	11	2	-	1		2	8			
2415	11	2	-	1			10			
2425	11	2	-	1			8	2		
2435	11	2	-	1			6	4		
2445	11	2	-	1			4	6		
2455	11	2	-	1			2	8		
2465	11	2	-	1				10		
2475	11	2	-	1				8	2	
2485	11	2	-	1				6	4	
2495	11	2	-	1				4	6	
2505	11	2	-	1				2	8	
2515	11	2	-	1					10	
2525	11	2	-	1					8	2
2535	11	2	-	1					6	4
2545	11	2	-	1					4	6
2555	11	2	-	2					2	8
2565	11	2	-	2						10
2575	12	2	-	2	1	10				
2585	12	2	-	2		10	1			
2595	12	2	-	2		8	3			
2605	12	2	-	2		6	5			
2615	12	2	-	2		4	7			
2625	12	2	-	2		2	9			
2635	12	2	-	2			11			
2645	12	2	-	2			9	2		
2655	12	2	-	2			7	4		
2665	12	2	-	2			5	6		
2675	12	2	-	2			3	8		
2685	12	2	-	2			1	10		
2695	12	2	-	2				10	1	
2705	12	2	-	2				8	3	
2715	12	2	-	2				6	5	
2725	12	2	1	-				4	7	
2735	12	2	1	-				2	9	
2745	12	2	1	-					11	
2755	12	2	1	-					9	2
2765	12	2	1	-					7	4
2775	12	2	1	-					5	6
2785	12	2	1	-					3	8
2795	12	2	1	-					1	10
2805	13	2	1	-		10	2			
2815	13	2	1	-		8	4			
2825	13	2	1	-		6	6			
2835	13	2	1	-		4	8			
2845	13	2	1	-		2	10			

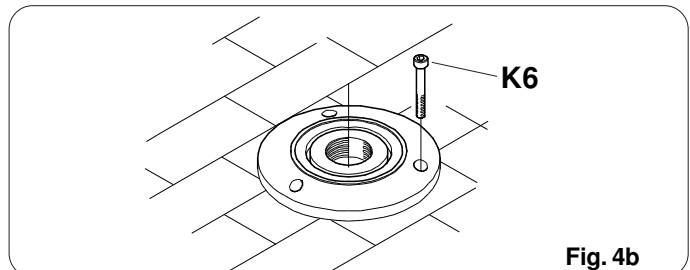
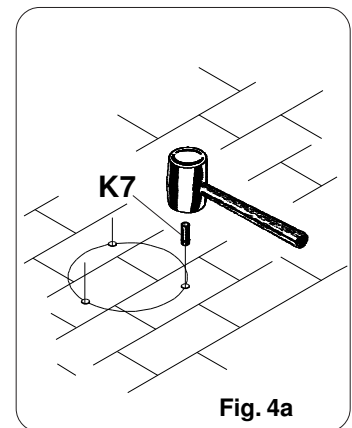
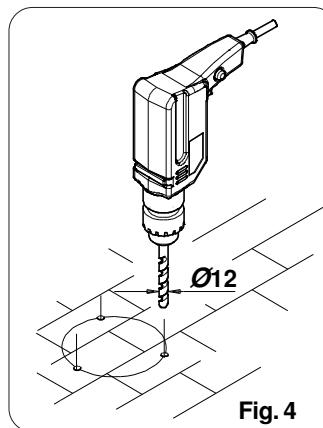
H.	G.	P			A mm					
		1080	510	170	210	215	220	225	230	235
										
2855	13	2	1	-			12			
2865	13	2	1	-			10	2		
2875	13	2	1	-			8	4		
2885	13	2	1	-			6	6		
2895	13	2	1	1			4	8		
2905	13	2	1	1			2	10		
2915	13	2	1	1				12		
2925	13	2	1	1				10	2	
2935	13	2	1	1				8	4	
2945	13	2	1	1				6	6	
2955	13	2	1	1				4	8	
2965	13	2	1	1				2	10	
2975	13	2	1	1					12	
2985	13	2	1	1					10	2
2995	13	2	1	1					8	4
3005	13	2	1	1					6	6
3015	13	2	1	1					4	8
3025	13	2	1	1					2	10
3035	13	2	1	1						12
3045	14	2	1	1		6	7			
3055	14	2	1	1		4	9			
3065	14	2	1	2		2	11			
3075	14	2	1	2			13			
3085	14	2	1	2			11	2		
3095	14	2	1	2			9	4		
3105	14	2	1	2			7	6		
3115	14	2	1	2			5	8		
3125	14	2	1	2			3	10		
3135	14	2	1	2			1	12		
3145	14	2	1	2				12	1	
3155	14	2	1	2				10	3	
3165	14	2	1	2				8	5	
3175	14	2	1	2				6	7	
3185	14	2	1	2				4	9	
3195	14	2	1	2				2	11	
3205	14	2	1	2					13	
3215	14	2	1	2					11	2
3225	14	2	1	2					9	4
3235	14	2	1	2					7	6
3245	14	2	1	2					5	8
3255	14	2	1	2					3	10
3265	14	2	1	2					1	12
3275	15	2	1	3		4	10			
3285	15	2	1	3		2	12			
3295	15	2	1	3			14			
3305	15	2	1	3			12	2		
3315	15	2	1	3			10	4		
3325	15	2	1	3			8	6		
3335	15	2	1	3			6	8		
3345	15	2	1	3			4	10		
3355	15	2	1	3			2	12		
3365	15	2	1	3				14		
3375	15	2	1	3				12	2	
3385	15	2	1	3				10	4	
3395	15	2	1	3				8	6	
3405	15	2	1	3				6	8	
3415	15	2	1	3				4	10	
3425	15	2	1	3				2	12	
3435	15	2	1	3					14	
3445	15	2	1	3					12	2
3455	15	2	1	3					10	4
3465	15	2	1	3					8	6
3475	15	2	1	3					6	8
3485	15	2	1	3					4	10
3495	15	2	1	3					2	12
3505	15	2	1	3						14

TRACING

- Find a and project the centre of the stairwell staircase on the ground.
To carry out this operation correctly, connect a plumb line to a ruler and place it on the opening of the top floor as shown in fig.2.

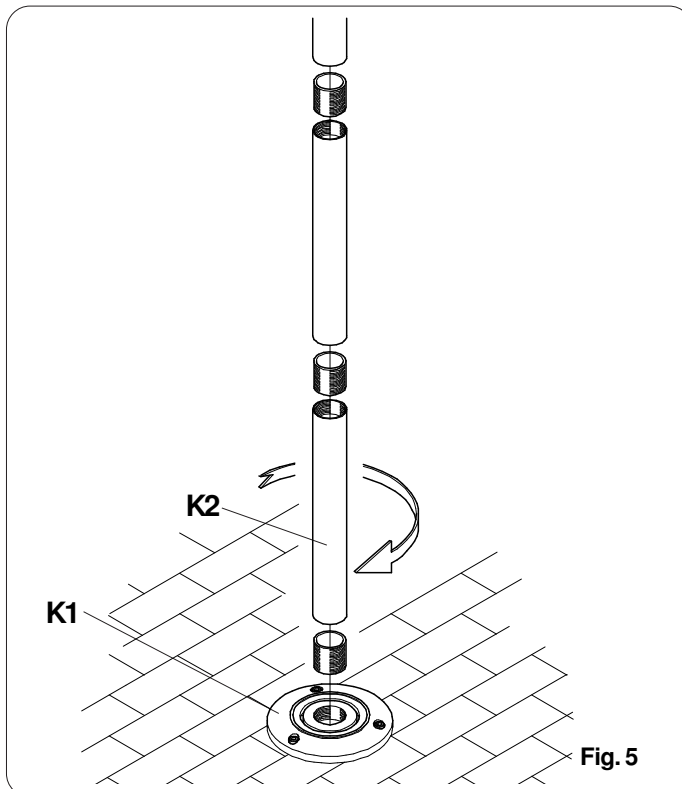


- After completing the tracing operation, drill with a \varnothing 12 mm drill, (fig. 4).
Insert the K7 brass small block, (fig. 4a)
Place the K1 flange and anchor by means of 3 K6 screws as shown in fig. 4b

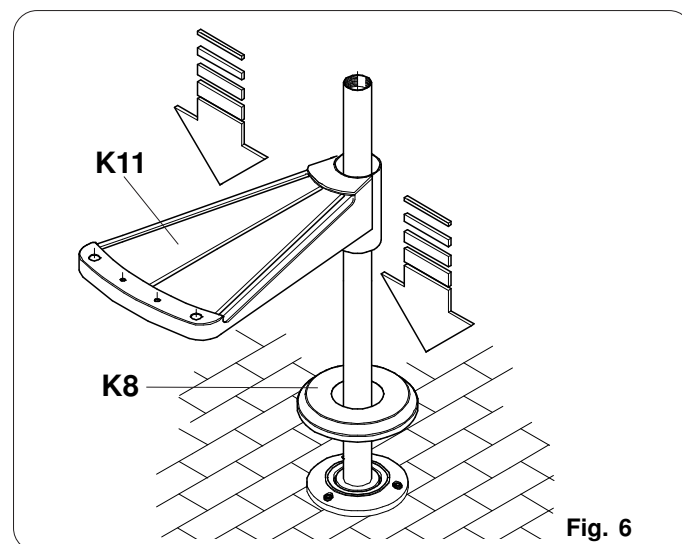


CALCULATING THE NUMBER OF STEPS

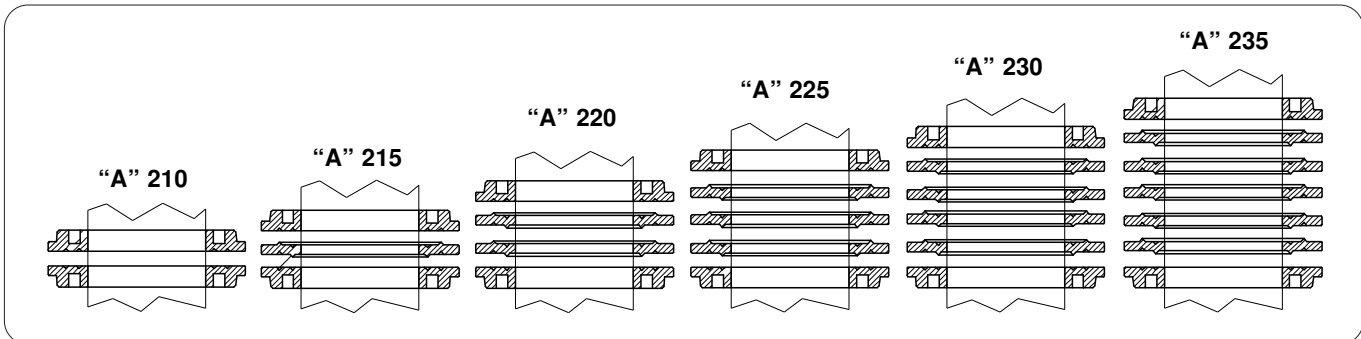
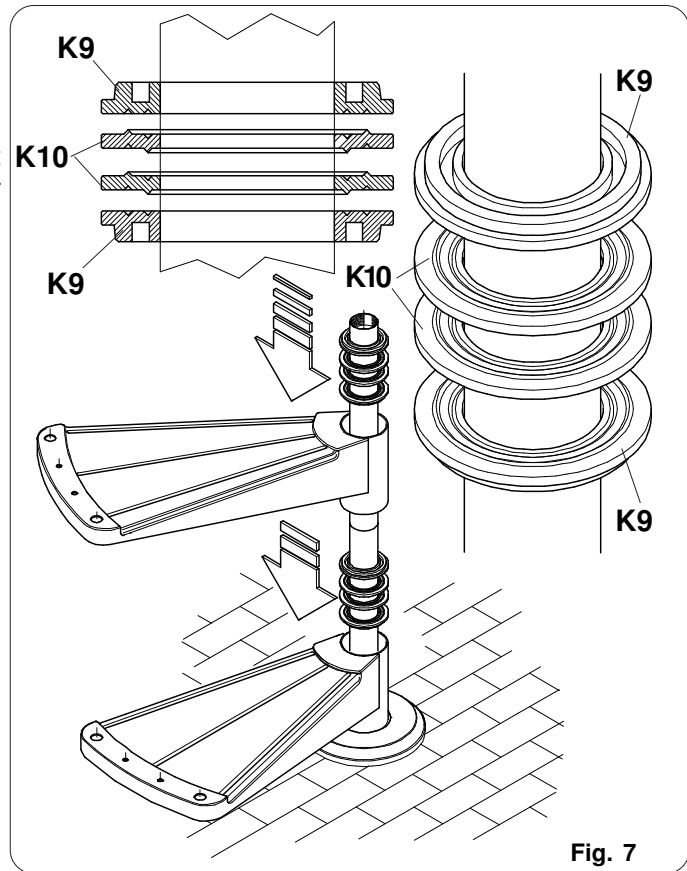
- Proceed to calculate the number of elements that shall compose the central pile in a similar way to the procedure used to calculate the number elements composing the central pile.
By consulting the rule set at the "H" measure in mm, the number of elements is shown to compose the pile "P".
NB. in the case of a 2805 mm height, n. 2 1080 mm elements and one 510 mm element are needed.
- Compose the post as shown in fig. 5. Start tightening the first **K2 (A-B-C)** pile component with the **K1** flange. Avoid damaging the thread during the operation. Mount the **K2 (A-B-C)** segment that will compose the pile.

**ASSEMBLING THE STEPS**

- Before completing the assembly of all the segments composing the pile, it is advisable to start also inserting the various elements that will compose the staircase (steps, spacers) by assembling them gradually as the assembly of the pile proceeds. First of all, insert the **K8** plate cover and continue with the first **K11** step), as shown in fig. 6



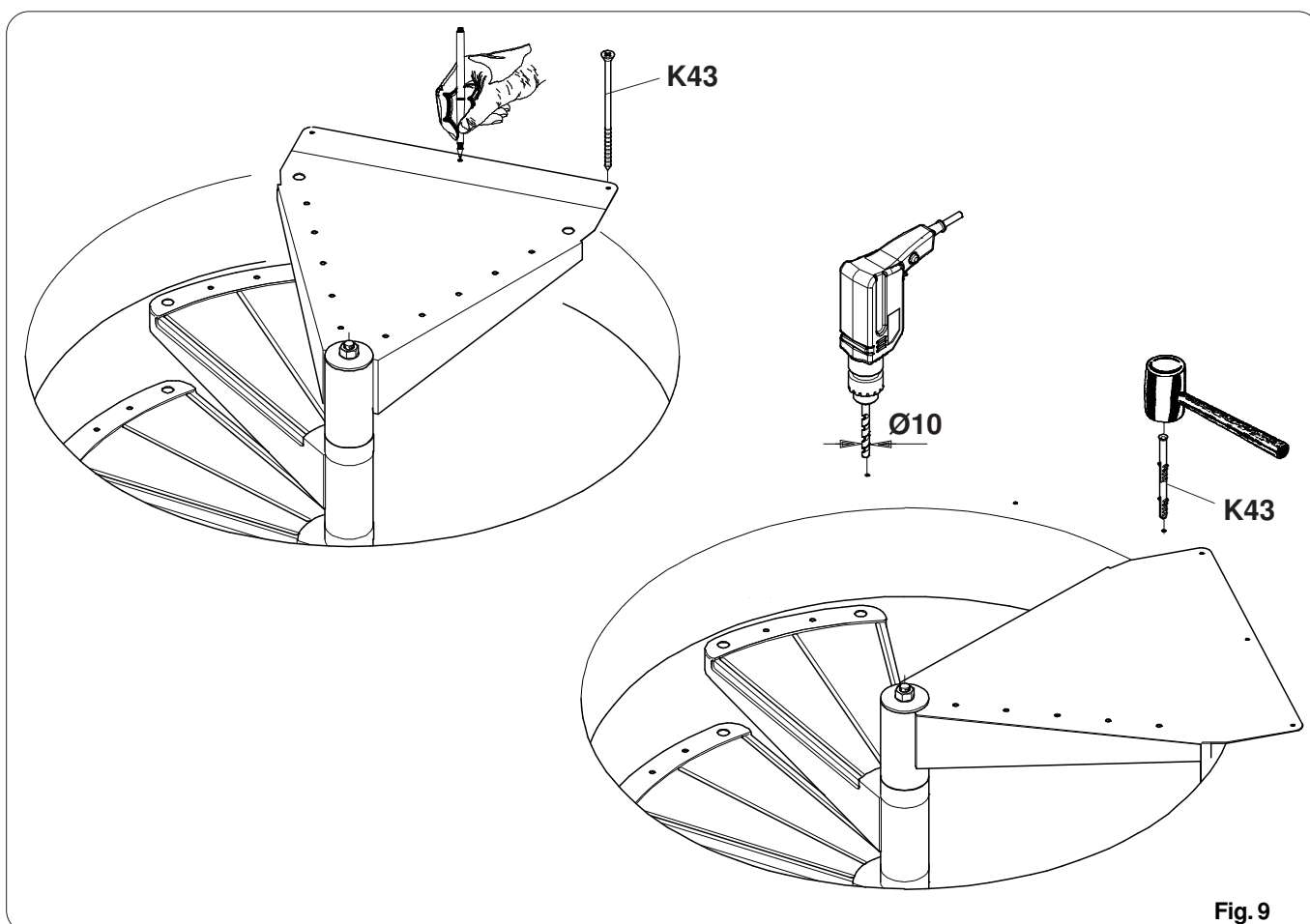
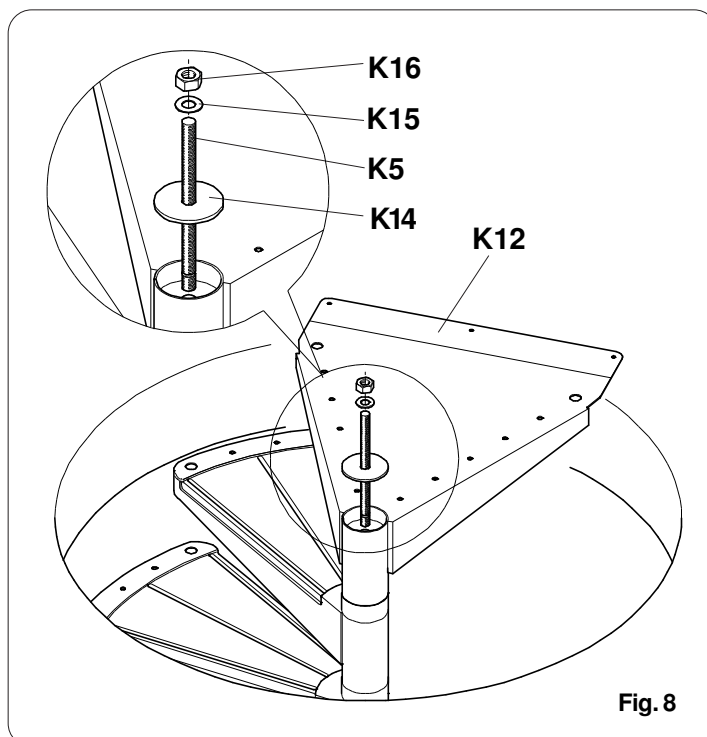
- Proceed to assemble the other steps and make sure that the **K9** centre washer is also assembled between steps as shown in fig. 7
NB. The need may emerge for combining two different sizes of rises. In this case, we suggest to group together those of the same size starting from above.



ASSEMBLING THE FINAL STEP

- Continue to assemble the various elements and steps in sequence, as shown, until the **K12** final top step is achieved.
Tighten the staircase as shown in fig. 8.

- Trace the drilling point by using the final step as a reference template, then move the **K12** final step laterally and drill by means of a $\text{Ø}10$ drill at a 140 mm depth.
Insert the available **K23** small blocks (including the relevant screws) as shown in fig. 9.



- Take the **K13** final board and place it onto the **K12** final step.
According to the climbing directions, drill a $\varnothing 11$ hole in the board on the side where columns need to be assembled.
On the other side, drill a $\varnothing 25$ final hole only to insert the connecting column.

Warning !!!

This operation must be carried out only in the MOTION model: the OPTIMA model does not envisage any board.

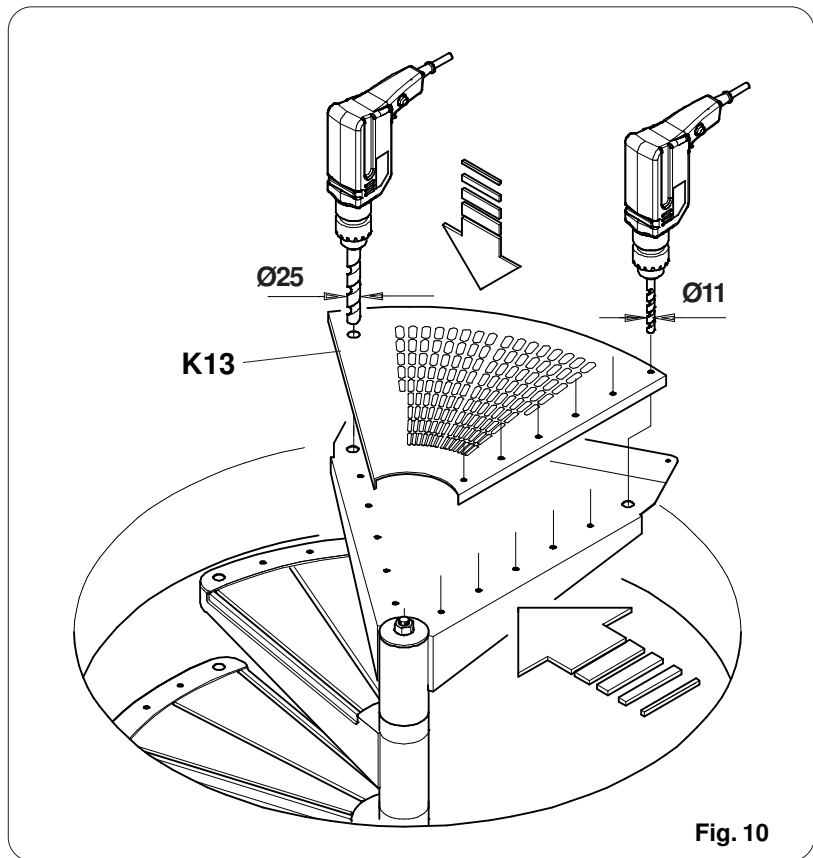


Fig. 10

- Insert the **K20** washers (those with anchoring tabs) into the first hole of each step as shown in fig. 11

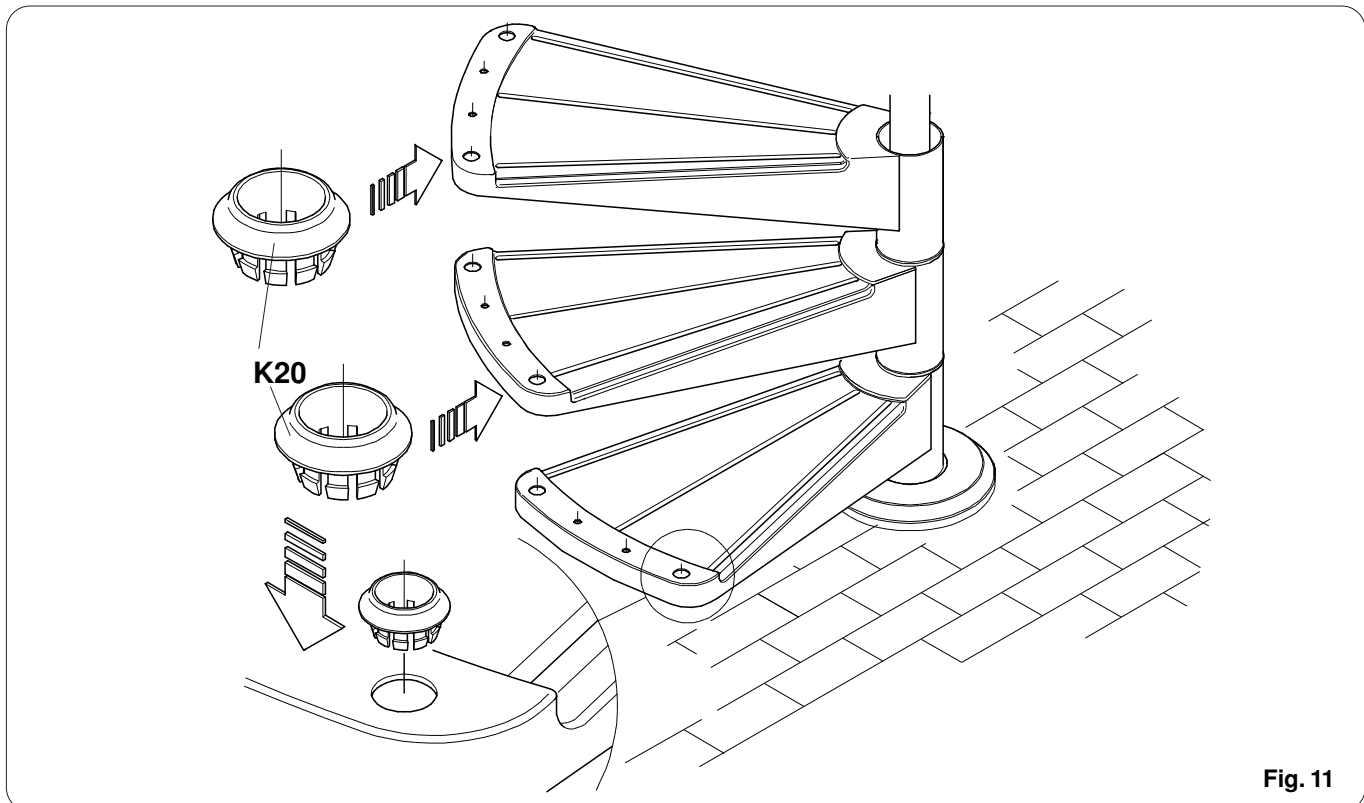
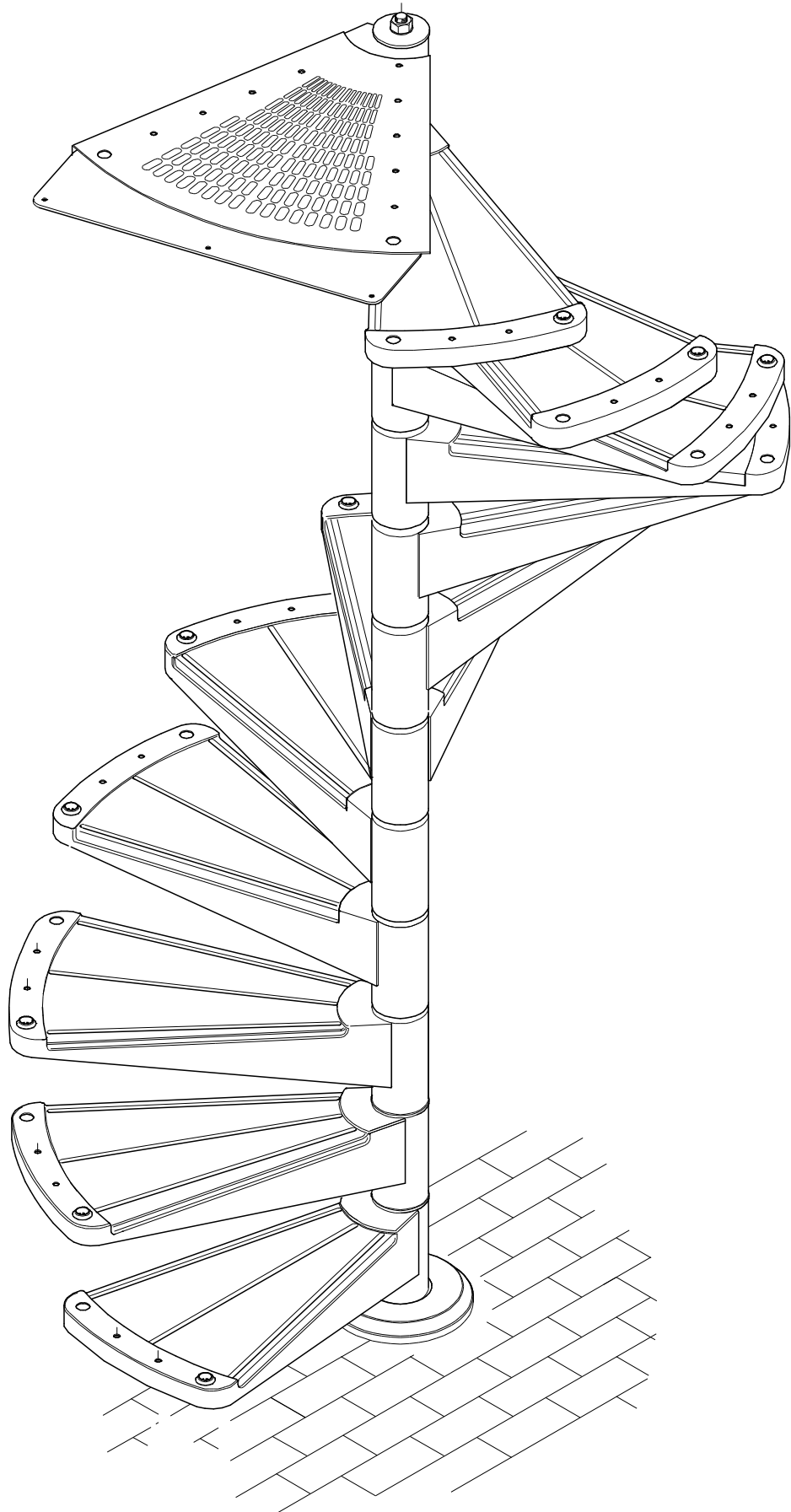


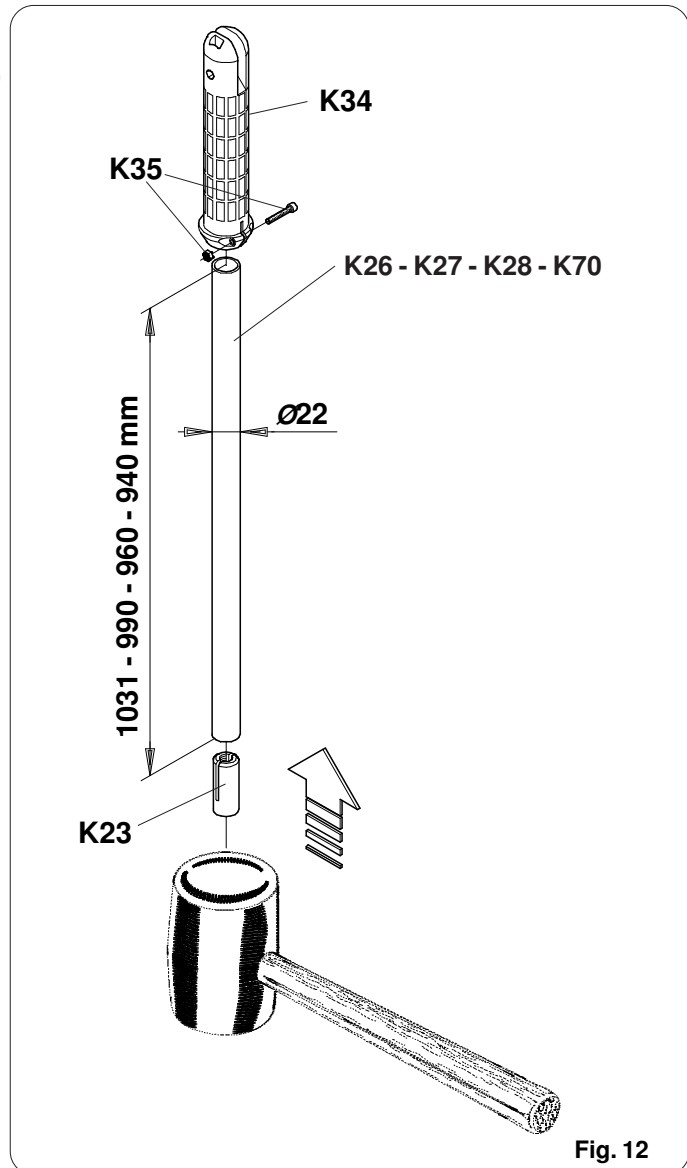
Fig. 11



PART 3

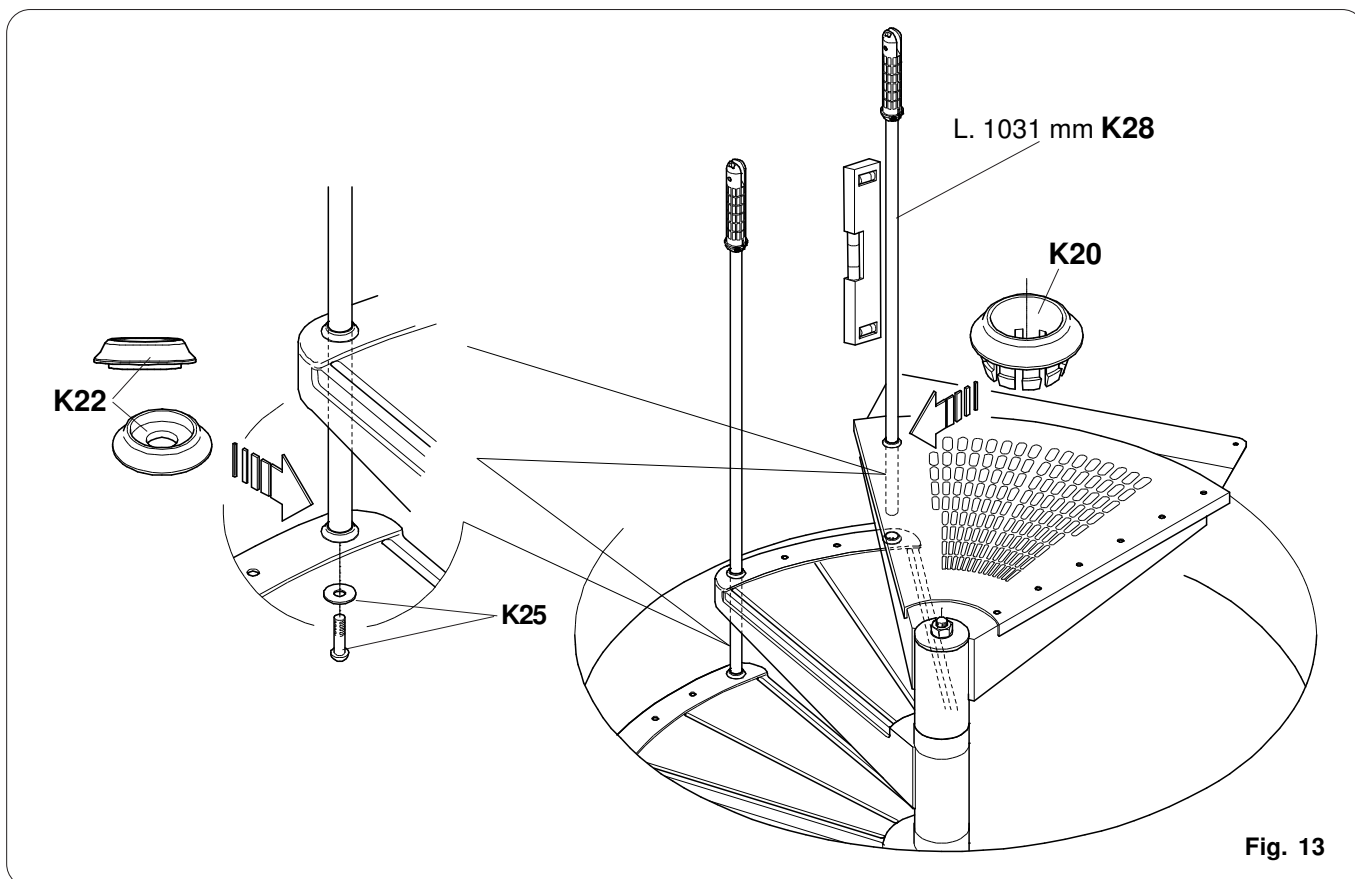
PREPARING THE COLUMNS

- Operation to be carried out on all **K26 - K27 - K28 - K70** columns See Fig. 12
N.B. Do not tighten the K35 screw and nut fully

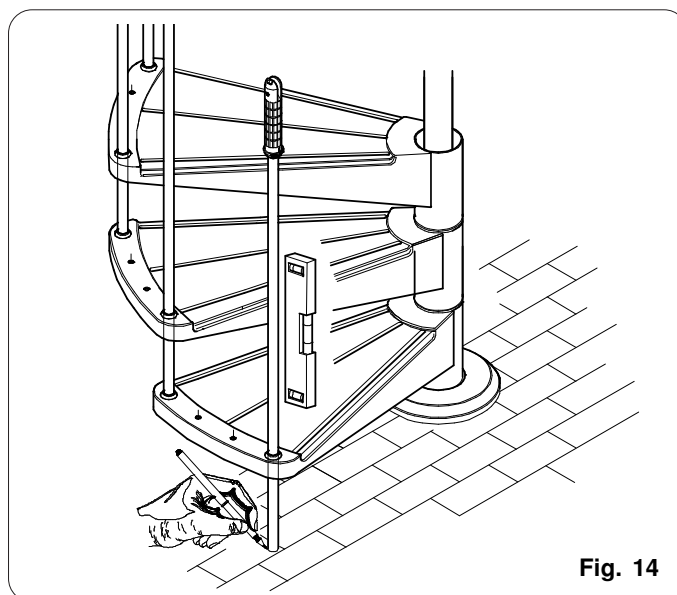


ASSEMBLING THE COLUMNS

- Starting from the final step, assemble the columns prepared previously as shown in fig. 13.



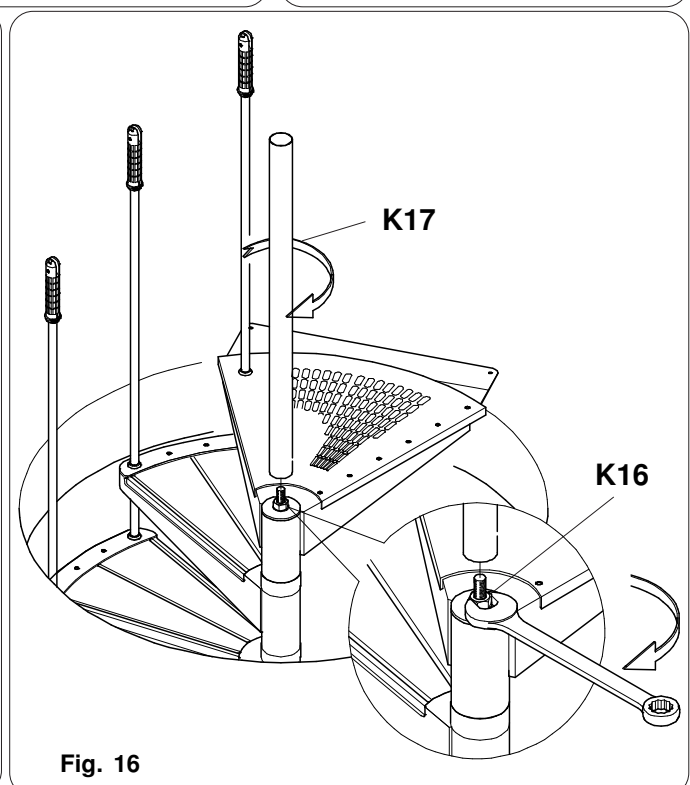
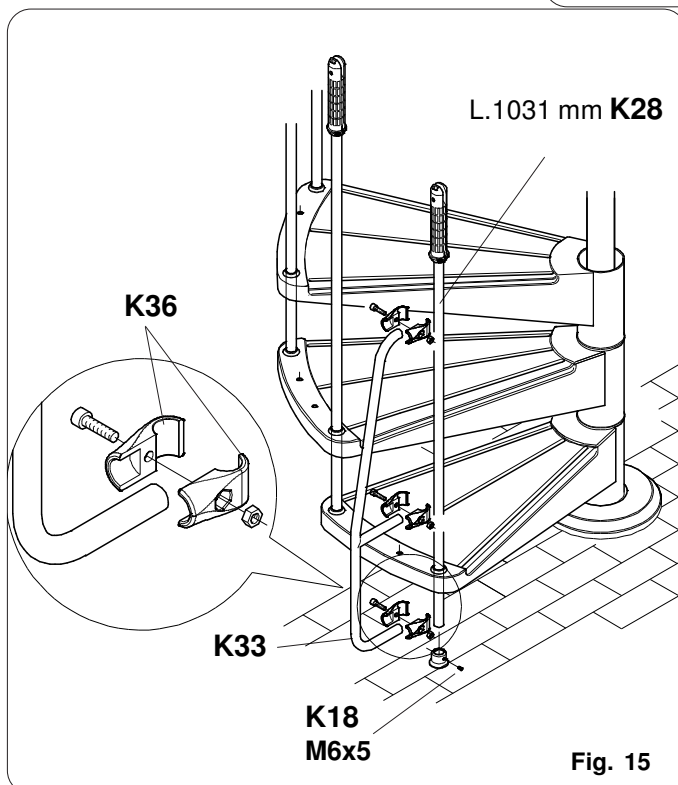
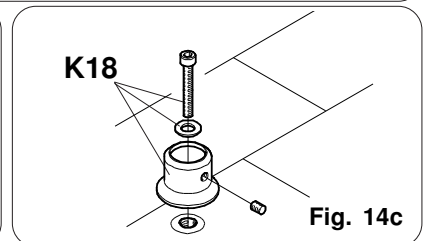
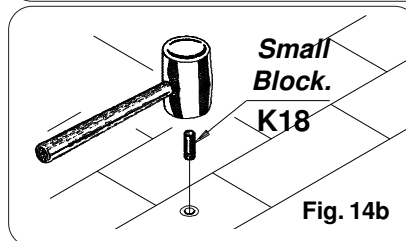
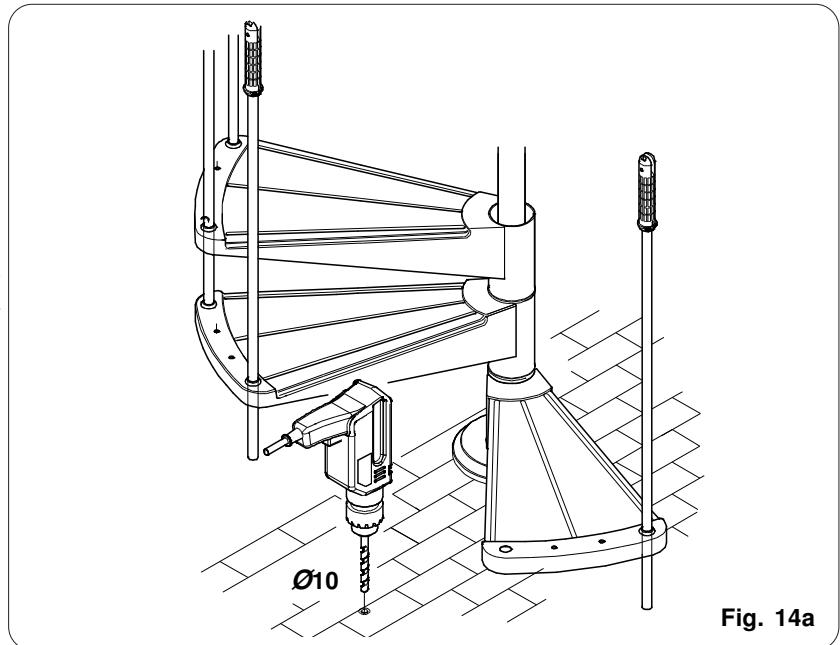
- After reaching the first step, the column needs to be anchored. Proceed as follows: trace the column centre on the ground and make sure that the column is as vertical as possible (if necessary use a level as shown in fig. 14).

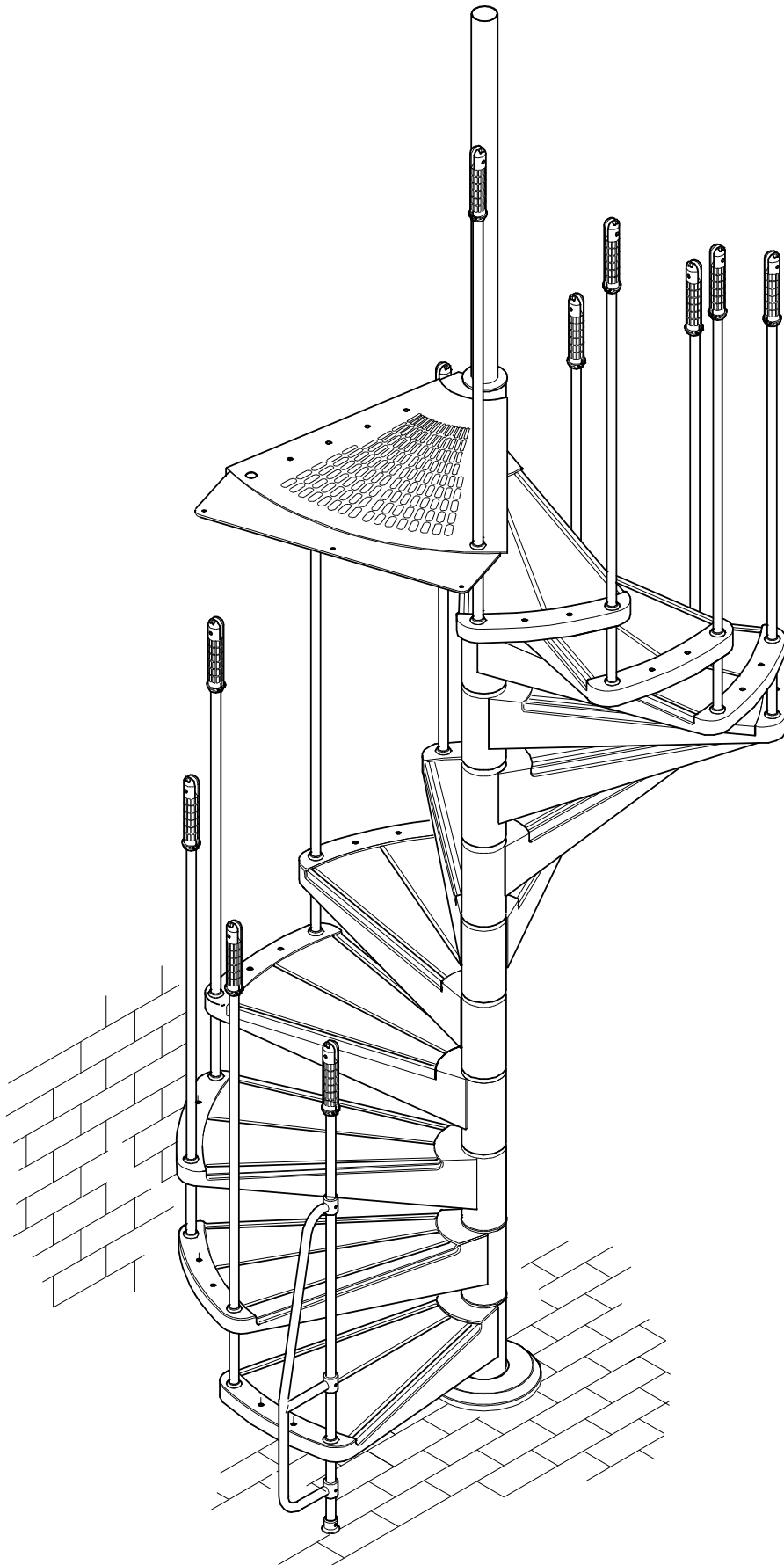


- To easily drill the point marked before, move the step (by turning it) so that it does not become an obstacle, then drill the floor by means of a $\varnothing 10$ drill (fig. 14a) and proceed as shown in fig 14b and fig. 14c.

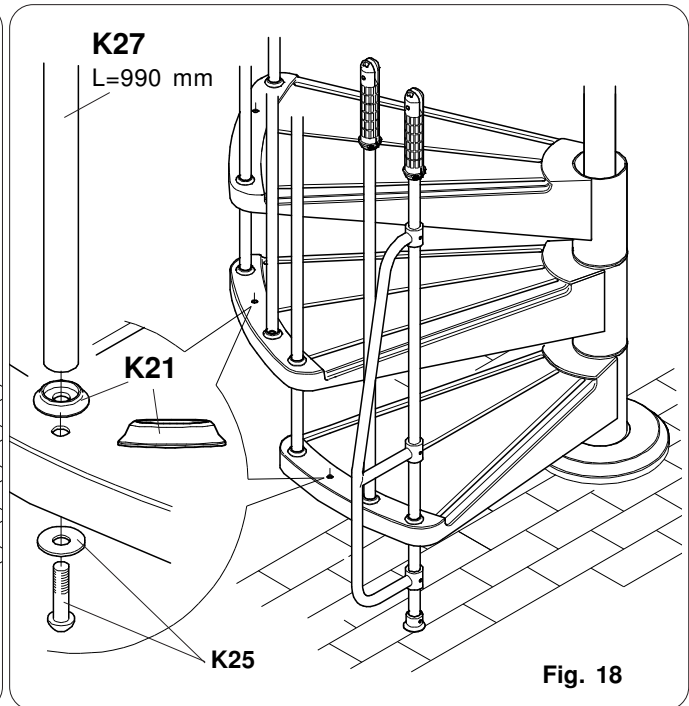
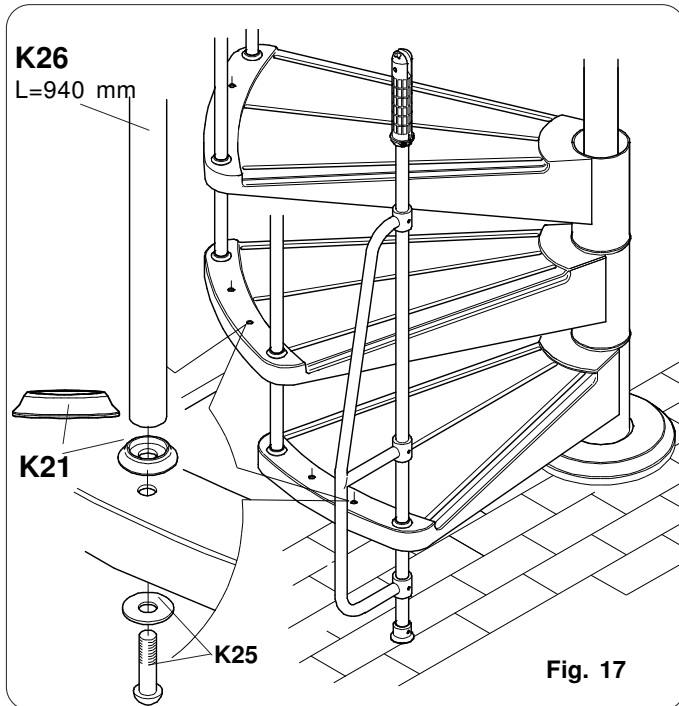
- Before anchoring the column definitively in its respective seat previously marked on the ground, insert the **K33** stiffener as shown in fig. 15.
Then anchor the column to the ground by means of the dedicated **M6x5** screw included in the **K18** kit.

- Anchor the final step definitively by fully tightening or locking the **K16** elements which were previously left loose. Mount the **K17** clamp by tightening it fully to the **K5** bar without using tools or wrenches but simply by hand as shown in fig. 16.



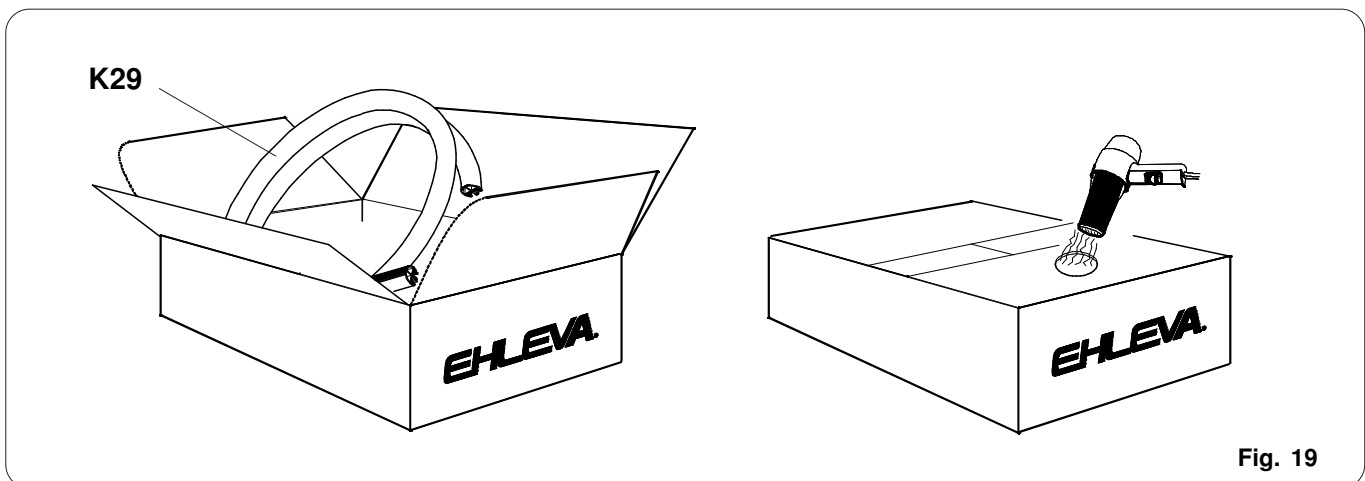


- Mount the **K26** 940mm long columns into the second hole of the step as shown in fig. 17. At the foot of the column, insert the **K21** washer and anchor it under the step by means of the **K25** screws.
- Proceed as described above to mount the **K27** 990 mm long columns in the last free hole present on the step as shown in fig. 18.



ASSEMBLING THE HANDRAIL

- The handrail needs to be heated so as to make it flexible and bendable. It is advisable to follow the instructions below and be careful not to damage the handrail. Insert the **K29** handrail coil into the package box that contained the staircase elements. Drill a hole in the top side and position the heat gun, making sure that the hot air jet does not come in touch with the handrail. Wait for 60 minutes approx. and check whether the handrail has become sufficiently flexible. Fig. 19



- Starting from above, insert the central part of the handrail (detail fig. 20) into the **K34** column cover of the second column of each step by making the necessary pressure until it snaps into positions. Avoid getting burnt because of the excessive handrail temperature (in case, wear gloves).
Tighten the relevant screws and make sure that the columns remain perfectly vertical.
Repeat this operation by inserting the remaining **K34** column covers into the dedicated handrail housing with a movement from below upwards, always making sure that the mechanism snaps into position.
Tighten each column cover fully by means of the relevant **K35** screws and nuts and check always that the columns are vertical.
By means of a saw, cut the handrail ends leaving a 50/60 mm segment projecting beyond the column and mount the **K30** plugs and anchor them with the available glue (fig. 20).
After this operation, check that the columns are not lose in their housing in the step: if necessary, tighten the screws from below the step.

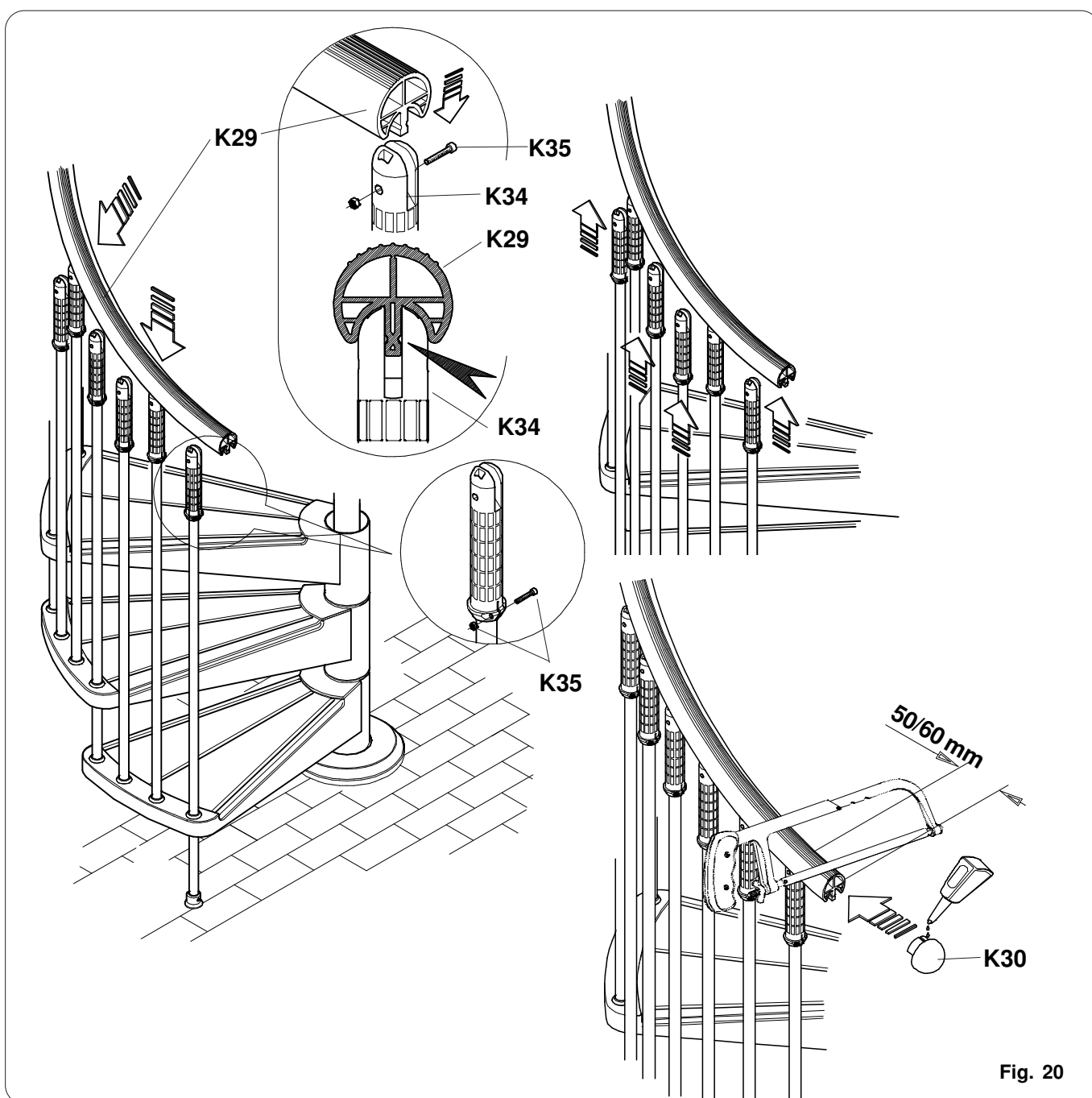


Fig. 20

ASSEMBLING THE BALUSTER HANDRAIL

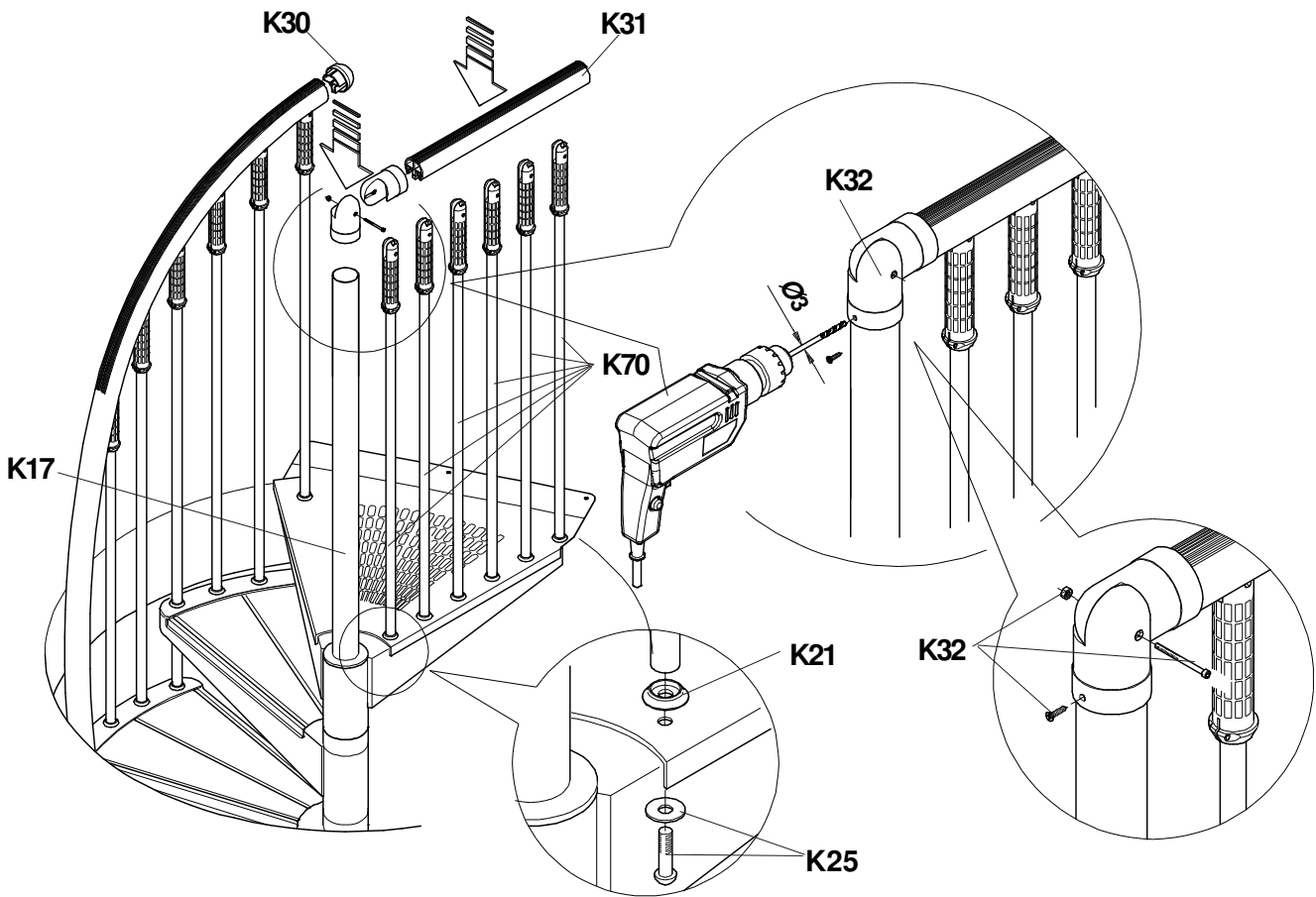


Fig. 21

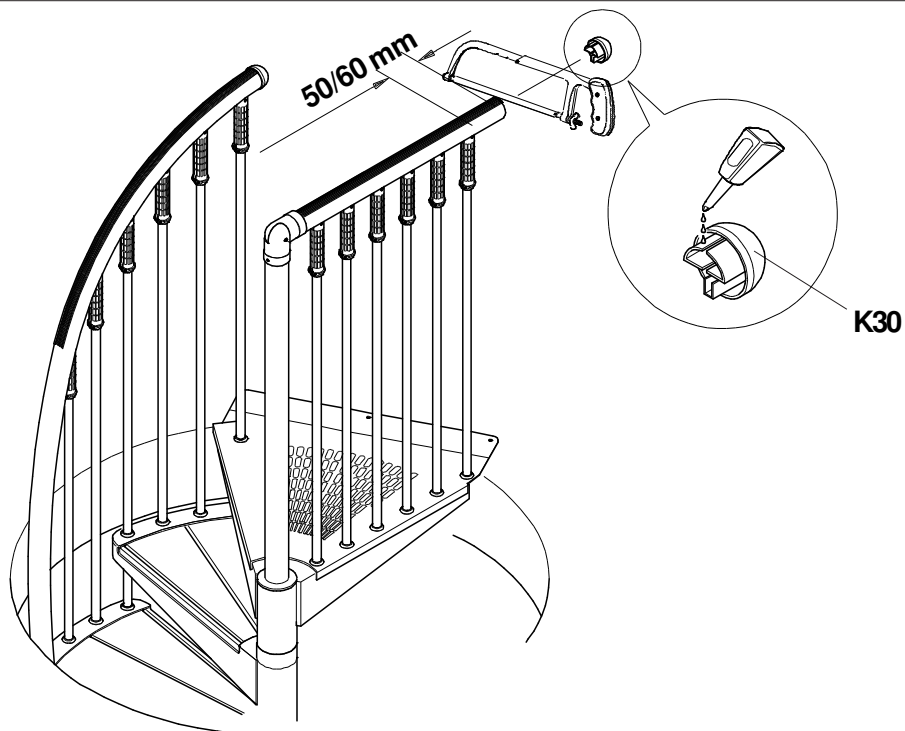


Fig. 22

COMPLETION AND CHECKS

- After the assembly operations have been completed, check and test that the staircase is stable and all components are firmly anchored.
Place the **K38** bracket on the wall so that it is located between two steps at the correct height (approx. halfway of the staircase) as shown in Fig. 33

