

STYLE:

smart

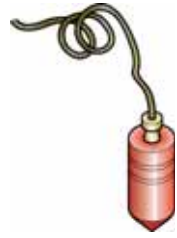
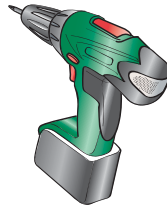


fontanot®  
scale di ogni tempo



[http:// www.fontanot.it](http://www.fontanot.it)  
[http:// www.arkestairs.com](http://www.arkestairs.com)

Copyright by Fontanot S.p.A., first publication September 18, 2015



PH 2

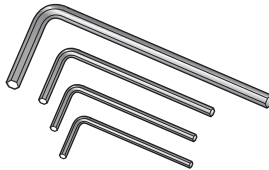


Ø 8 x 120 mm  
(D 5/16" x 4-23/32")  
 Ø 12 x 120 mm  
(D 15/32" x 4-23/32")  
 Ø 14 x 150 mm  
(D 35/64" x 5-29/32")

Ø 2,5 mm (D 3/32")  
 Ø 3,5 mm (D 9/64")  
 Ø 4,5 mm (D 11/64")  
 Ø 5,5 mm (D 7/32")  
 Ø 9 mm (D 23/64")



12 mm (15/32")  
 13 mm (33/64")



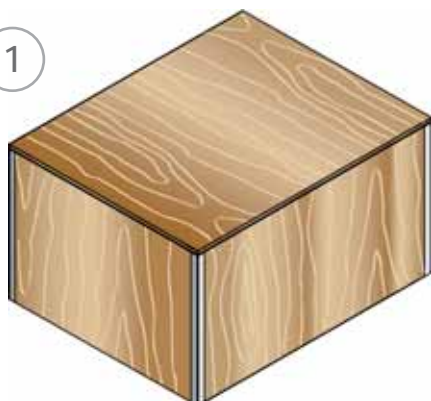
2,5 mm (3/32")  
 3 mm (1/8")  
 5 mm (13/64")  
 12 mm (15/32")



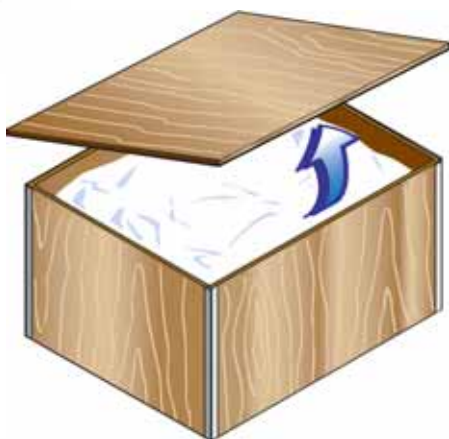
10 mm (25/64")  
 13 mm (33/64")  
 17 mm (43/64")  
 19 mm (3/4")  
 30 mm (1-3/16")



1

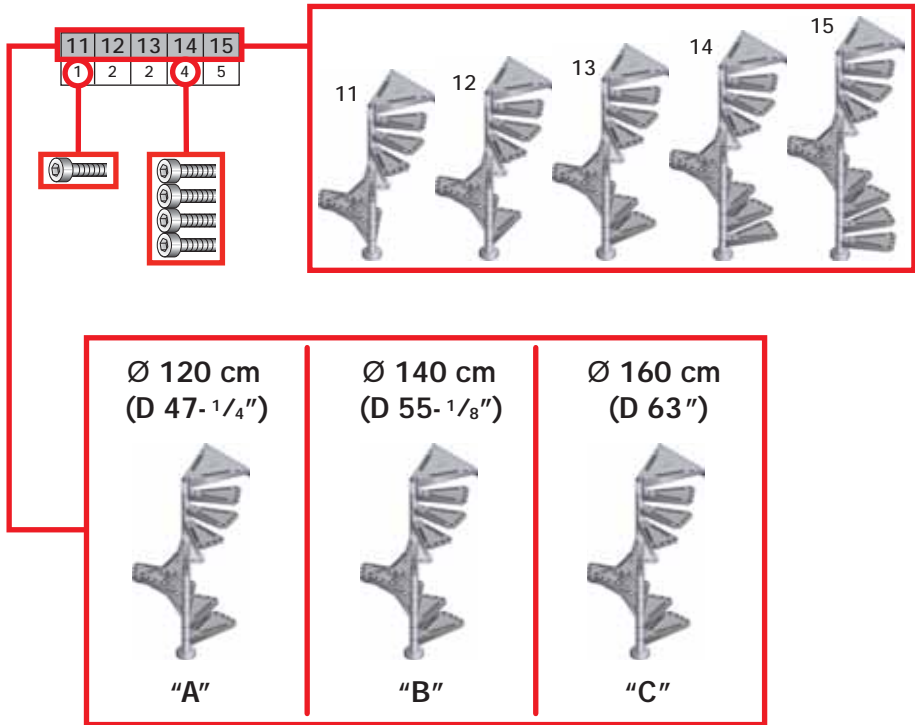








2



3





<p><b>A02</b></p>  <table border="1"> <thead> <tr> <th></th> <th>11</th> <th>12</th> <th>13</th> <th>14</th> <th>15</th> </tr> </thead> <tbody> <tr> <td>A</td> <td>1</td> <td>1</td> <td>1</td> <td>1</td> <td>1</td> </tr> <tr> <td>B</td> <td>1</td> <td>1</td> <td>1</td> <td>1</td> <td>1</td> </tr> <tr> <td>C</td> <td>1</td> <td>1</td> <td>1</td> <td>1</td> <td>1</td> </tr> </tbody> </table>		11	12	13	14	15	A	1	1	1	1	1	B	1	1	1	1	1	C	1	1	1	1	1	<p><b>A03</b></p>  <table border="1"> <thead> <tr> <th></th> <th>11</th> <th>12</th> <th>13</th> <th>14</th> <th>15</th> </tr> </thead> <tbody> <tr> <td>A</td> <td>6</td> <td>6</td> <td>6</td> <td>6</td> <td>6</td> </tr> <tr> <td>B</td> <td>6</td> <td>6</td> <td>6</td> <td>6</td> <td>6</td> </tr> <tr> <td>C</td> <td>6</td> <td>6</td> <td>6</td> <td>6</td> <td>6</td> </tr> </tbody> </table>		11	12	13	14	15	A	6	6	6	6	6	B	6	6	6	6	6	C	6	6	6	6	6	<p><b>A18</b></p>  <table border="1"> <thead> <tr> <th></th> <th>11</th> <th>12</th> <th>13</th> <th>14</th> <th>15</th> </tr> </thead> <tbody> <tr> <td>A</td> <td>1</td> <td>1</td> <td>1</td> <td>1</td> <td>1</td> </tr> <tr> <td>B</td> <td>1</td> <td>1</td> <td>1</td> <td>1</td> <td>1</td> </tr> <tr> <td>C</td> <td>1</td> <td>1</td> <td>1</td> <td>1</td> <td>1</td> </tr> </tbody> </table>		11	12	13	14	15	A	1	1	1	1	1	B	1	1	1	1	1	C	1	1	1	1	1
	11	12	13	14	15																																																																					
A	1	1	1	1	1																																																																					
B	1	1	1	1	1																																																																					
C	1	1	1	1	1																																																																					
	11	12	13	14	15																																																																					
A	6	6	6	6	6																																																																					
B	6	6	6	6	6																																																																					
C	6	6	6	6	6																																																																					
	11	12	13	14	15																																																																					
A	1	1	1	1	1																																																																					
B	1	1	1	1	1																																																																					
C	1	1	1	1	1																																																																					
<p><b>A20</b></p>  <table border="1"> <thead> <tr> <th></th> <th>11</th> <th>12</th> <th>13</th> <th>14</th> <th>15</th> </tr> </thead> <tbody> <tr> <td>A</td> <td>1</td> <td>1</td> <td>1</td> <td>1</td> <td>1</td> </tr> <tr> <td>B</td> <td>1</td> <td>1</td> <td>1</td> <td>1</td> <td>1</td> </tr> <tr> <td>C</td> <td>1</td> <td>1</td> <td>1</td> <td>1</td> <td>1</td> </tr> </tbody> </table>		11	12	13	14	15	A	1	1	1	1	1	B	1	1	1	1	1	C	1	1	1	1	1	<p><b>B03</b></p>  <table border="1"> <thead> <tr> <th></th> <th>11</th> <th>12</th> <th>13</th> <th>14</th> <th>15</th> </tr> </thead> <tbody> <tr> <td>A</td> <td>1</td> <td>1</td> <td>1</td> <td>1</td> <td>1</td> </tr> <tr> <td>B</td> <td>1</td> <td>1</td> <td>1</td> <td>1</td> <td>1</td> </tr> <tr> <td>C</td> <td>1</td> <td>1</td> <td>1</td> <td>1</td> <td>1</td> </tr> </tbody> </table>		11	12	13	14	15	A	1	1	1	1	1	B	1	1	1	1	1	C	1	1	1	1	1	<p><b>B04</b></p>  <table border="1"> <thead> <tr> <th></th> <th>11</th> <th>12</th> <th>13</th> <th>14</th> <th>15</th> </tr> </thead> <tbody> <tr> <td>A</td> <td>1</td> <td>1</td> <td>1</td> <td>1</td> <td>1</td> </tr> <tr> <td>B</td> <td>1</td> <td>1</td> <td>1</td> <td>1</td> <td>1</td> </tr> <tr> <td>C</td> <td>1</td> <td>1</td> <td>1</td> <td>1</td> <td>1</td> </tr> </tbody> </table>		11	12	13	14	15	A	1	1	1	1	1	B	1	1	1	1	1	C	1	1	1	1	1
	11	12	13	14	15																																																																					
A	1	1	1	1	1																																																																					
B	1	1	1	1	1																																																																					
C	1	1	1	1	1																																																																					
	11	12	13	14	15																																																																					
A	1	1	1	1	1																																																																					
B	1	1	1	1	1																																																																					
C	1	1	1	1	1																																																																					
	11	12	13	14	15																																																																					
A	1	1	1	1	1																																																																					
B	1	1	1	1	1																																																																					
C	1	1	1	1	1																																																																					

**B05**

	11	12	13	14	15
A	1	1	1	1	1
B	1	1	1	1	1
C	1	1	1	1	1

**B08**

	11	12	13	14	15
A	2	2	2	2	2
B	2	2	2	2	2
C	2	2	2	2	2

**B11**

	11	12	13	14	15
A	7	7	7	7	7
B	10	10	10	10	10
C	10	10	10	10	10

**B12**

	11	12	13	14	15
A	7	7	7	7	7
B	10	10	10	10	10
C	10	10	10	10	10

**B13**

	11	12	13	14	15
A	6	6	6	6	6
B	6	6	6	6	6
C	6	6	6	6	6

**B17**

	11	12	13	14	15
A	1	1	1	1	1
B	1	1	1	1	1
C	1	1	1	1	1

**B23**

	11	12	13	14	15
A	6	6	6	6	6
B	7	7	7	7	7
C	8	8	8	8	8

**B27**

	11	12	13	14	15
A	12	12	12	12	12
B	14	14	14	14	14
C	16	16	16	16	16

**B36**

	11	12	13	14	15
A	2	2	2	2	2
B	3	3	3	3	3
C	3	3	3	3	3

**B37**

	11	12	13	14	15
A	2	2	2	2	2
B	3	3	3	3	3
C	3	3	3	3	3

**B46**

	11	12	13	14	15
A	2	2	2	2	2
B	2	2	2	2	2
C	2	2	2	2	2

**B47**

	11	12	13	14	15
A	1	1	1	2	2
B	1	1	1	2	2
C	1	1	1	2	2

**B54**

	11	12	13	14	15
A	29	31	33	35	37
B	40	43	46	49	52
C	41	44	47	50	53

**B55**

	11	12	13	14	15
A	29	31	33	35	37
B	40	43	46	49	52
C	41	44	47	50	53

**B82**

	11	12	13	14	15
A	21	23	25	27	29
B	31	34	37	40	43
C	31	34	37	40	43

**B89**

	11	12	13	14	15
A	6	6	6	6	6
B	7	7	7	7	7
C	8	8	8	8	8

**BE3**

	11	12	13	14	15
A	27	29	31	33	35
B	38	41	44	47	50
C	39	42	45	48	51

**BE4**

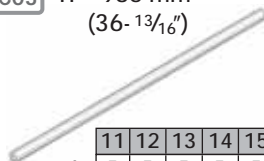
	11	12	13	14	15
A	1	1	1	1	1
B	1	1	1	1	1
C	1	1	1	1	1

**BG6**

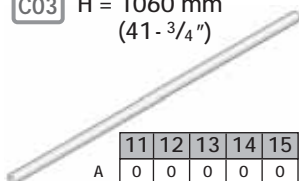
	11	12	13	14	15
A	32	35	38	41	44
B	42	46	50	54	58
C	42	46	50	54	58

**BS1**

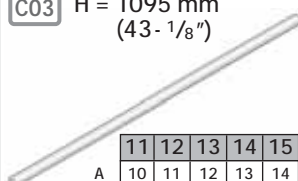
	11	12	13	14	15
A	1	1	1	1	1
B	1	1	1	1	1
C	1	1	1	1	1

**C03**H = 935 mm  
(36-<sup>13</sup>/<sub>16</sub>"

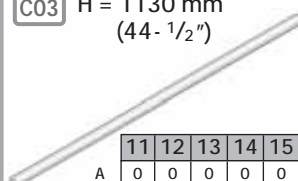
	11	12	13	14	15
A	7	7	7	7	7
B	8	8	8	8	8
C	9	9	9	9	9

**C03**H = 1060 mm  
(41-<sup>3</sup>/<sub>4</sub>"

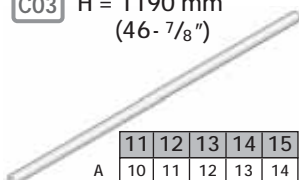
	11	12	13	14	15
A	0	0	0	0	0
B	10	11	12	13	14
C	10	11	12	13	14

**C03**H = 1095 mm  
(43-<sup>1</sup>/<sub>8</sub>"

	11	12	13	14	15
A	10	11	12	13	14
B	0	0	0	0	0
C	0	0	0	0	0

**C03**H = 1130 mm  
(44-<sup>1</sup>/<sub>2</sub>"

	11	12	13	14	15
A	0	0	0	0	0
B	10	11	12	13	14
C	10	11	12	13	14

**C03**H = 1190 mm  
(46-<sup>7</sup>/<sub>8</sub>"

	11	12	13	14	15
A	10	11	12	13	14
B	10	11	12	13	14
C	10	11	12	13	14

**C13**

	11	12	13	14	15
A	32	35	38	41	44
B	42	46	50	54	58
C	42	46	50	54	58

**C29**

	11	12	13	14	15
A	6	6	6	6	6
B	9	9	9	9	9
C	9	9	9	9	9

**C31**

	11	12	13	14	15
A	40	43	46	49	52
B	51	55	59	63	67
C	52	56	60	64	68

**C36**

	11	12	13	14	15
A	1	1	1	1	1
B	1	1	1	1	1
C	1	1	1	1	1

**C87**

	11	12	13	14	15
A	4	4	4	4	4
B	4	4	4	4	4
C	4	4	4	4	4

C92



	11	12	13	14	15
A	2	2	2	2	2
B	2	2	2	2	2
C	2	2	2	2	2

CC5



	11	12	13	14	15
A	29	31	33	35	37
B	40	43	46	49	52
C	41	44	47	50	53

CC6



	11	12	13	14	15
A	29	31	33	35	37
B	40	43	46	49	52
C	41	44	47	50	53

CL7



	11	12	13	14	15
A	1	1	1	1	1
B	1	1	1	1	1
C	1	1	1	1	1

CL8



	11	12	13	14	15
A	1	1	1	1	1
B	1	1	1	1	1
C	1	1	1	1	1

D01



	11	12	13	14	15
A	3	4	3	3	3
B	3	4	3	3	3
C	3	4	3	3	3

D02



	11	12	13	14	15
A	11	12	13	14	15
B	11	12	13	14	15
C	11	12	13	14	15

D03



	11	12	13	14	15
A	55	60	65	70	75
B	55	60	65	70	75
C	55	60	65	70	75

D04



	11	12	13	14	15
A	10	11	12	13	14
B	10	11	12	13	14
C	10	11	12	13	14

D05



	11	12	13	14	15
A	1	1	1	1	1
B	1	1	1	1	1
C	0	0	0	0	0

D12



	11	12	13	14	15
A	0	0	0	0	0
B	0	0	0	0	0
C	1	1	1	1	1

D14



	11	12	13	14	15
A	1	1	1	1	1
B	1	1	1	1	1
C	1	1	1	1	1

D32



	11	12	13	14	15
A	32	35	38	41	44
B	42	46	50	54	58
C	42	46	50	54	58

D33



	11	12	13	14	15
A	32	35	38	41	44
B	42	46	50	54	58
C	42	46	50	54	58

E08



	11	12	13	14	15
A	1	1	1	1	1
B	1	1	1	1	1
C	1	1	1	1	1



F01



	11	12	13	14	15
A	8	8	8	8	8
B	9	9	9	9	9
C	10	10	10	10	10

F08



	11	12	13	14	15
A	4	4	4	4	4
B	6	6	6	6	6
C	6	6	6	6	6

F09



	11	12	13	14	15
A	2	2	2	2	2
B	3	3	3	3	3
C	3	3	3	3	3

G01



	11	12	13	14	15
A	1	1	1	1	1
B	1	1	1	1	1
C	1	1	1	1	1

G02



	11	12	13	14	15
A	2	2	2	3	3
B	2	2	2	3	3
C	2	2	2	3	3

G03



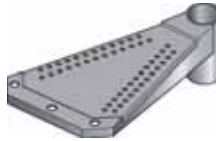
	11	12	13	14	15
A	1	1	1	1	1
B	1	1	1	1	1
C	1	1	1	1	1

H11



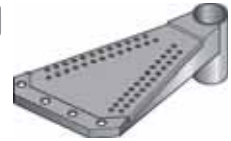
	11	12	13	14	15
A	20	22	24	26	28
B	30	33	36	39	42
C	30	33	36	39	42

L65



	11	12	13	14	15
A	10	11	12	13	14
B	0	0	0	0	0
C	0	0	0	0	0

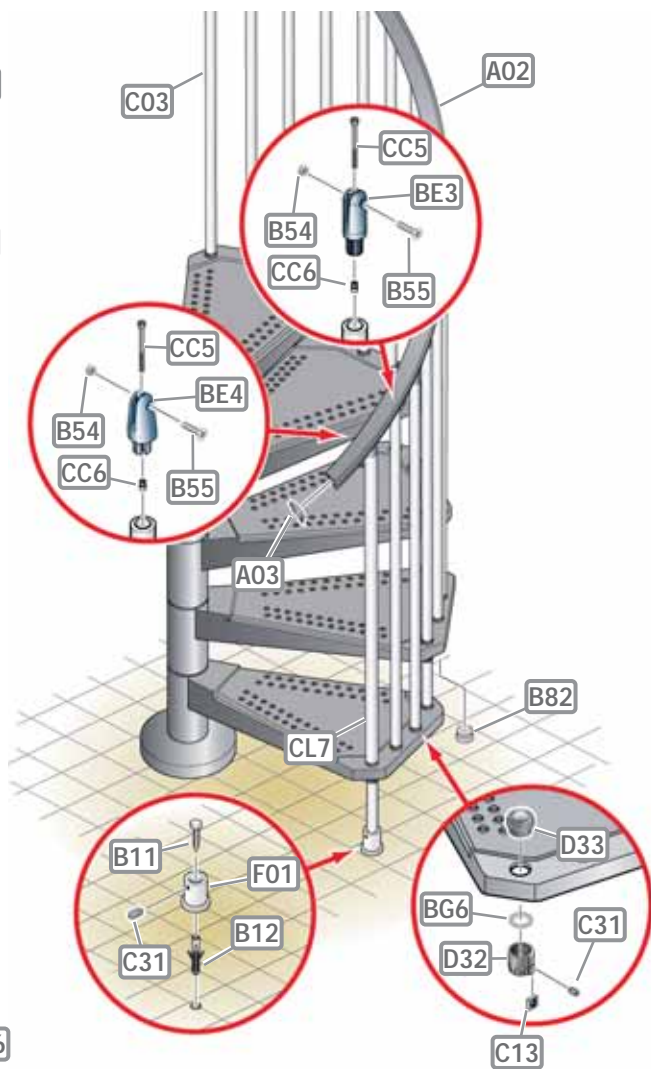
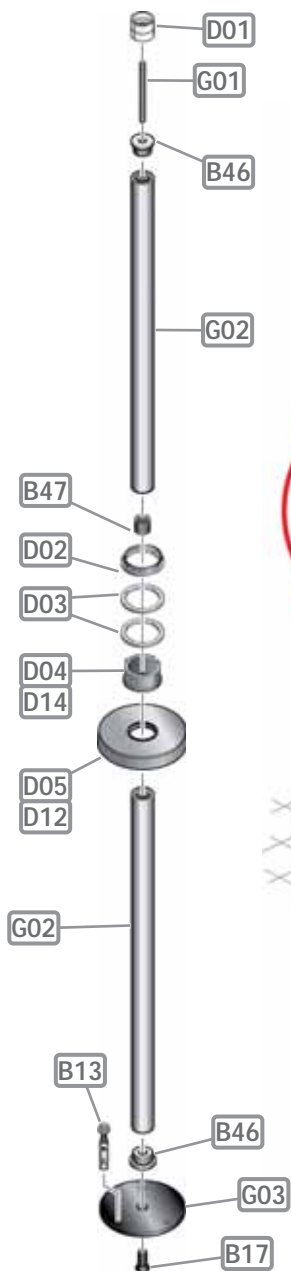
L65

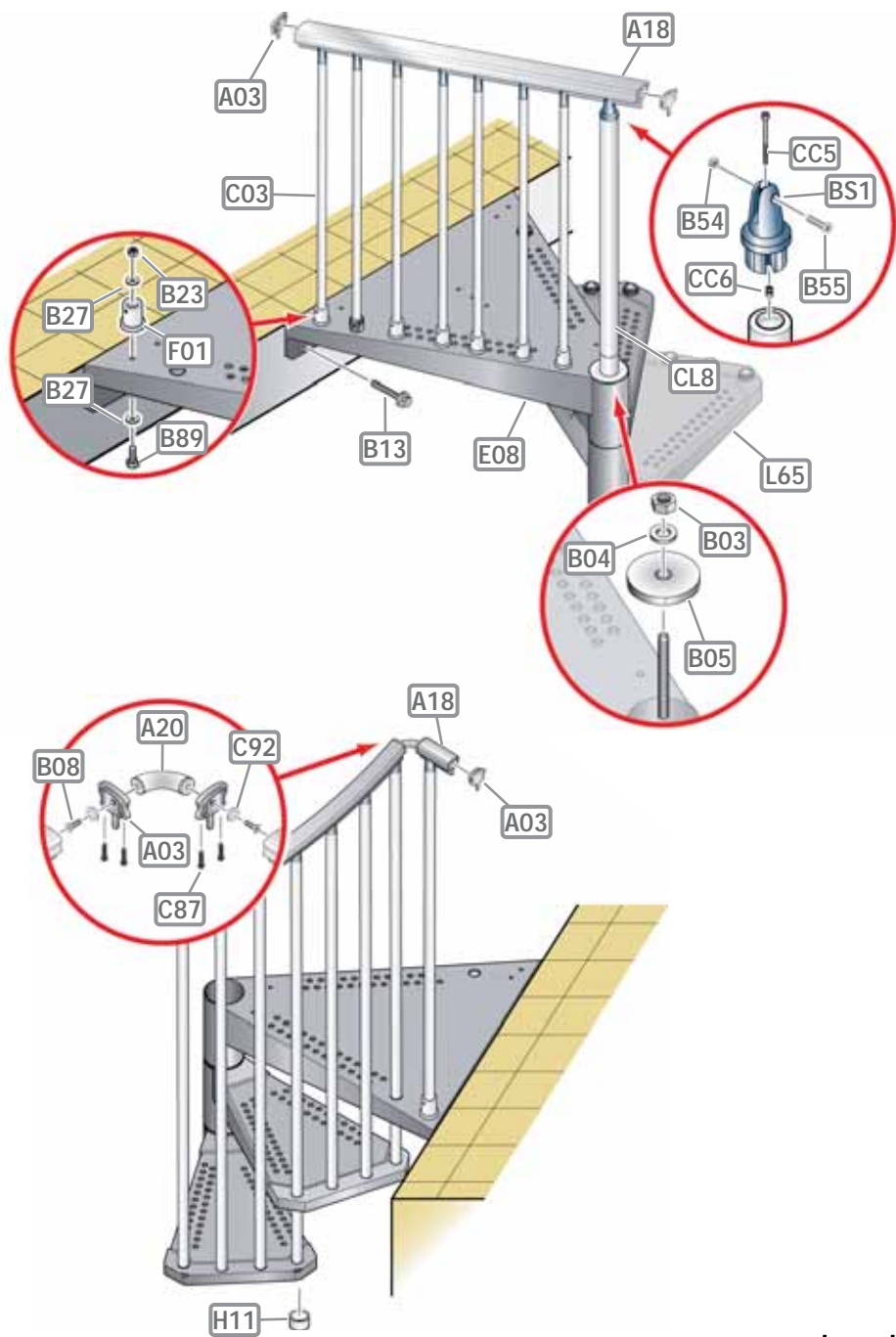


	11	12	13	14	15
A	0	0	0	0	0
B	10	11	12	13	14
C	10	11	12	13	14

X01







IT)



**IMPORTANTE!**  
LEGGERE E SEGUIRE SCRUPolosAMENTE QUESTE ISTRUZIONI E TENERE PER  
FUTURE CONSULTAZIONI

**ATTENZIONE:** eseguire l'installazione "a regola d'arte", utilizzando attrezzi idonei; seguire scrupolosamente le istruzioni di montaggio. Informarsi prima dell'installazione, sui regolamenti locali e nazionali da rispettare, in funzione della destinazione d'uso (privato principale, secondario, uffici, negozi,...).

EN)



**IMPORTANT!**  
CAREFULLY READ AND STRICTLY FOLLOW THESE INSTRUCTIONS AND KEEP THEM  
FOR FUTURE CONSULTATION

**WARNING:** Carry out the installation in a "workmanlike" manner, strictly following the installation instructions and using suitable tools. Always consult your local building department for code requirements that must be respected depending on its destination of use (private, secondary, public,...)

DE)



**WICHTIG!**  
LESEN SIE DIESE ANLEITUNG SORGFÄLTIG DURCH UND HEBEN SIE SIE FÜR  
SPÄTERE ZWECKE AUF

**ACHTUNG:** Die Montage muss fachgerecht, unter Zuhilfenahme geeigneter Hilfsmittel und unter strikter Einhaltung der Montageanleitung ausgeführt werden. Damit die Montage normgerecht erfolgen kann, muss man zuvor Informationen zur Aufstellung und zu den lokal und national geltenden Vorschriften je nach Bestimmungszweck (privat, Haupt- oder Nebeneinrichtung, Büros, Geschäfte, ...) einholen.

FR)



**IMPORTANT !**  
LIRE ET RESPECTER SCRUPULEUSEMENT LES PRÉSENTES INSTRUCTIONS ; LES  
CONSERVER POUR TOUTE AUTRE CONSULTATION

**ATTENTION :** Effectuer l'installation dans les règles de l'art en utilisant des outils appropriés ; suivre scrupuleusement les instructions de montage. Pour réaliser un montage conforme aux normes en vigueur, il faut s'informer avant l'installation quant aux réglementations locales et nationales à respecter, en fonction du domaine d'utilisation (résidence privée principale, secondaire, bureaux, magasins,...).

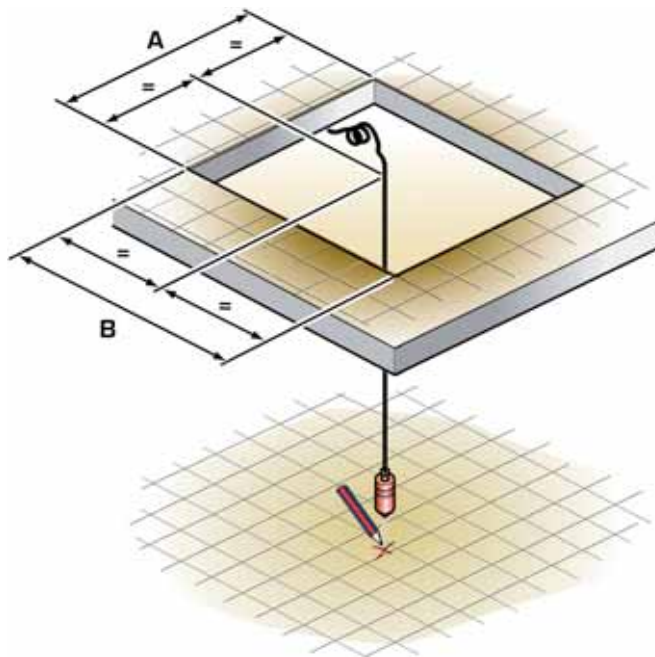
ES)



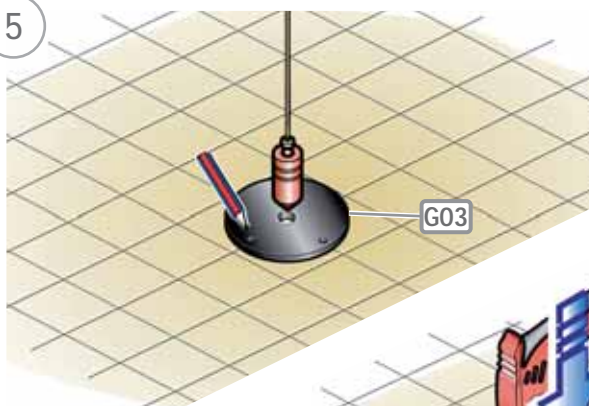
**¡IMPORTANTE!**  
LEER Y SEGUIR EstrictAMENTE ESTAS INSTRUCCIONES Y CONSERVARLAS PARA  
CONSULTAS FUTURAS

**ATENCIÓN:** realizar la instalación "según las reglas del arte", utilizando herramientas adecuadas; seguir estrictamente las instrucciones de montaje. Informarse antes de la instalación sobre los reglamentos locales y nacionales a respetar, en función del destino de uso (privado principal, secundario, oficinas, tiendas,...).

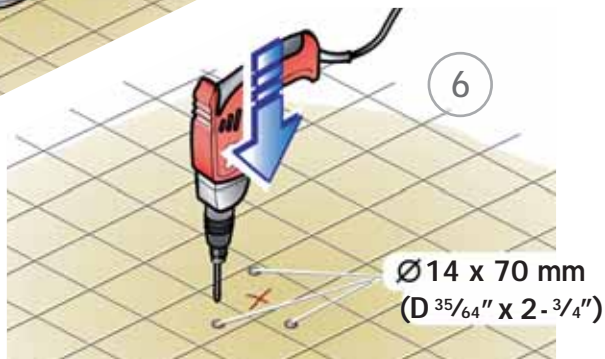
4

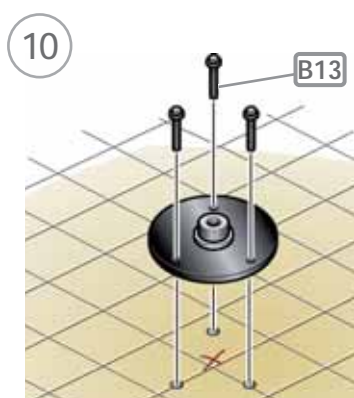
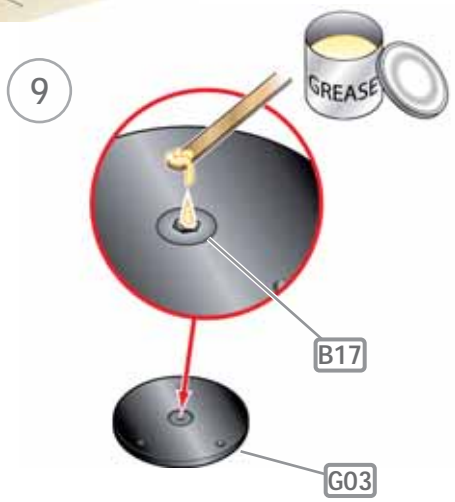
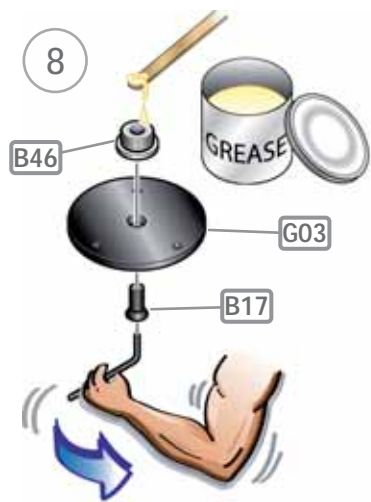
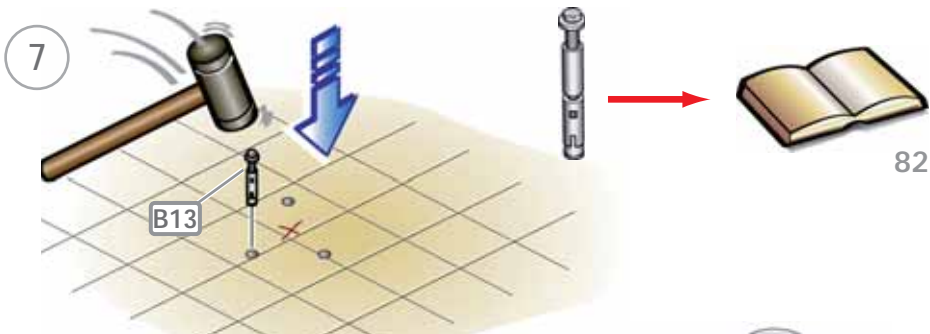


5

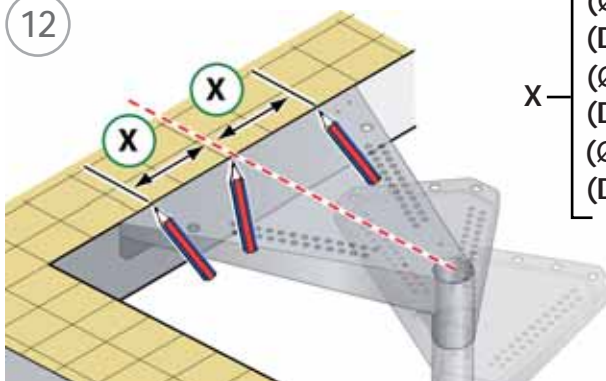


6



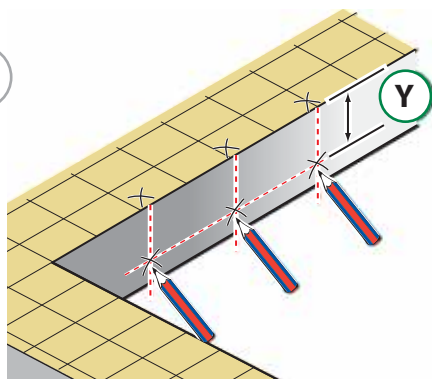


12

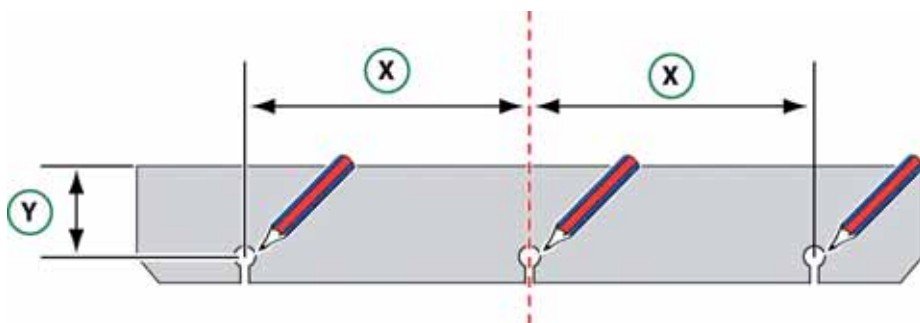


X — [  $(\text{Ø } 120 \text{ cm}) = 29 \text{ cm}$   
 $(\text{D } 47\text{-}1/4\text{'}) = 11\text{-}13/32\text{'}$   
 $(\text{Ø } 140 \text{ cm}) = 34,5 \text{ cm}$   
 $(\text{D } 55\text{-}1/8\text{'}) = 13\text{-}9/16\text{'}$   
 $(\text{Ø } 160 \text{ cm}) = 41 \text{ cm}$   
 $(\text{D } 63\text{'}) = 16\text{-}1/8\text{'}$

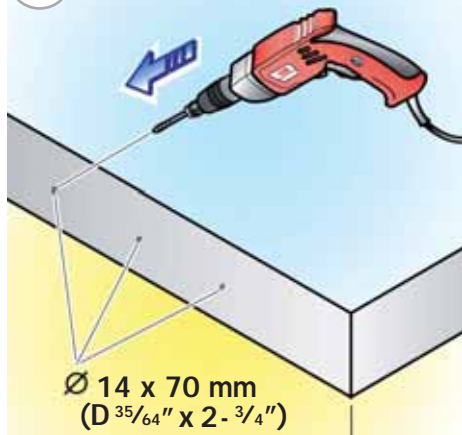
13



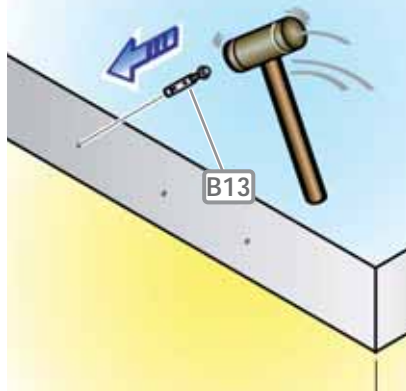
Y = 9,2 cm (3 - 5/8")



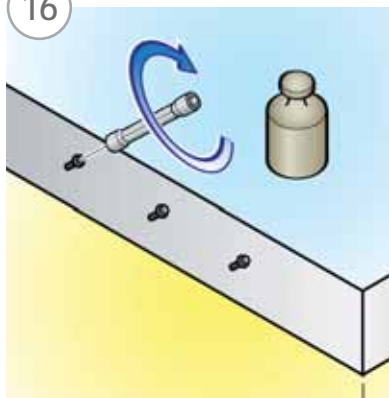
14



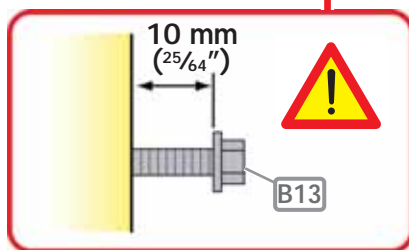
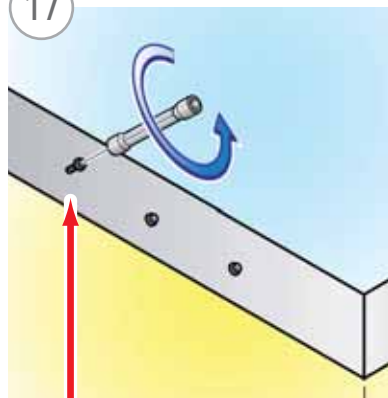
15



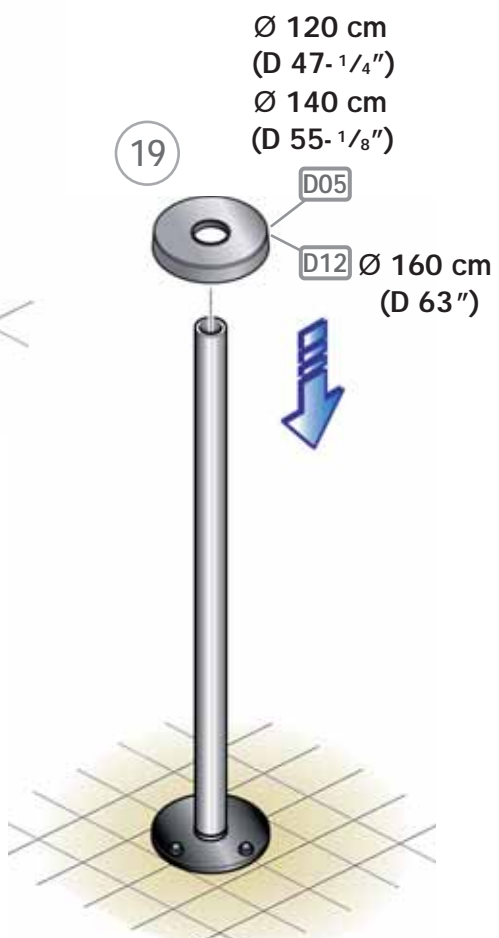
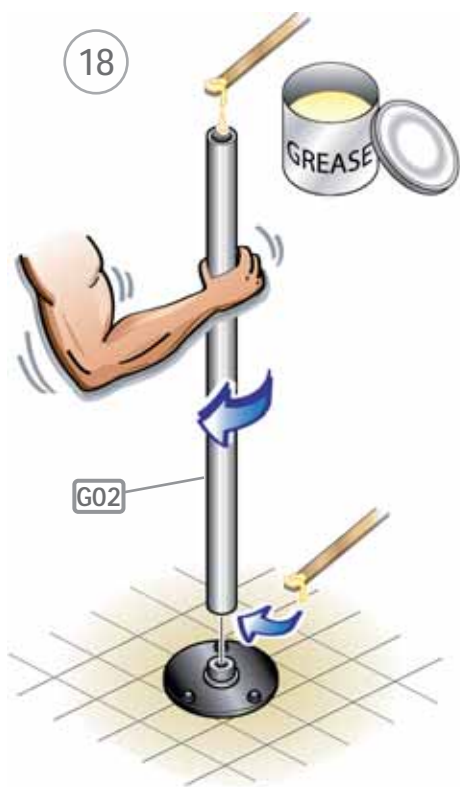
16



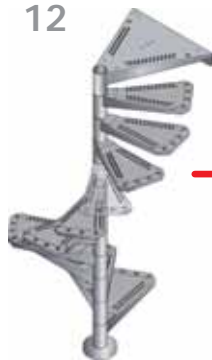
17







12



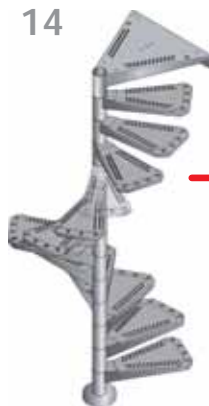
11



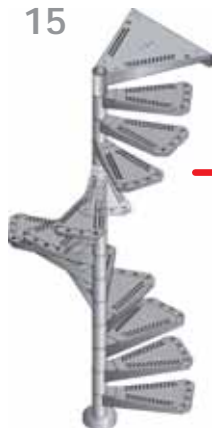
13



14



15





20 - 21



22 - 23



24 - 25

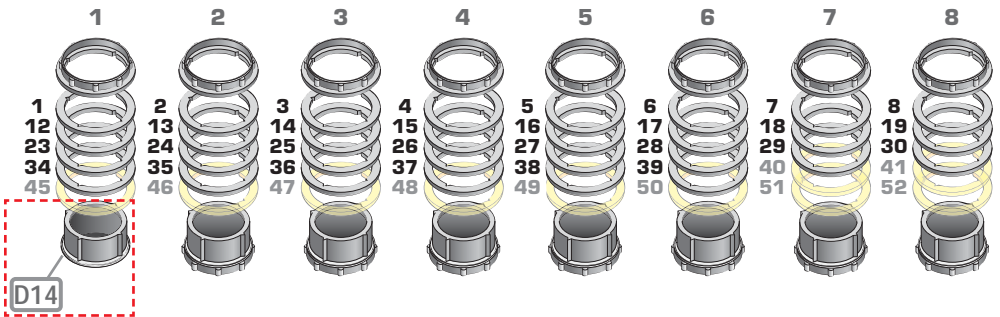
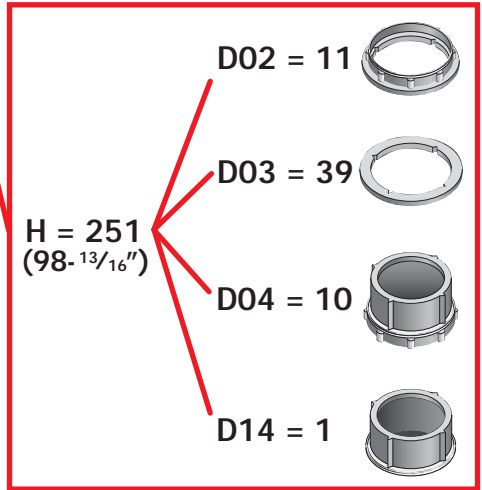
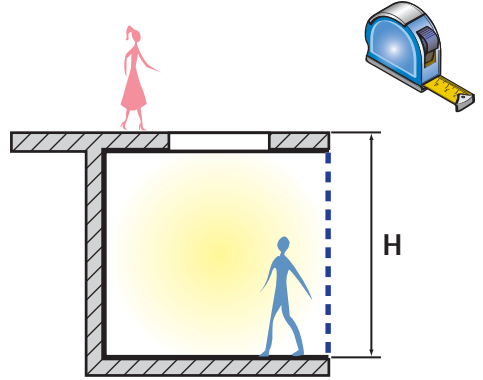


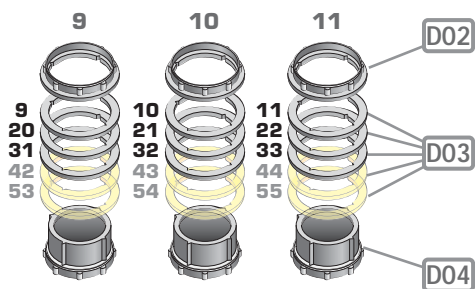
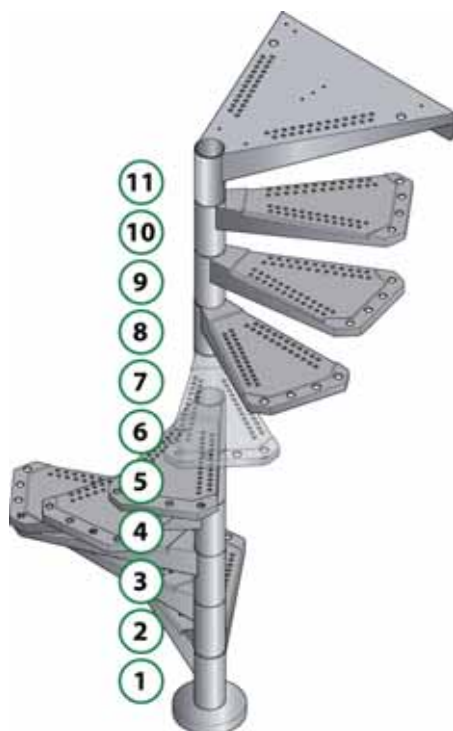
26 - 27



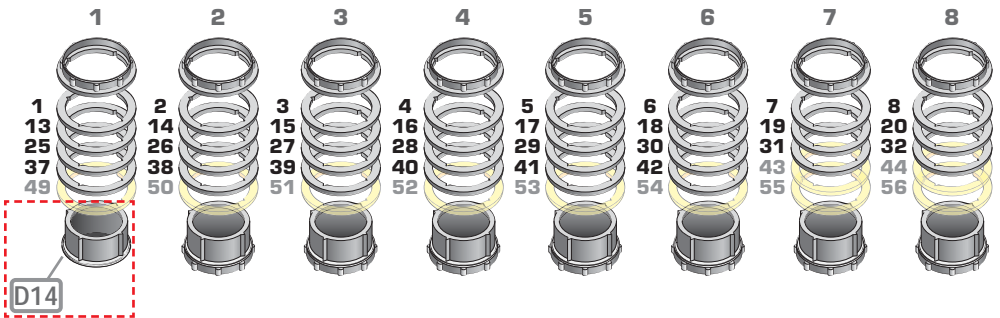
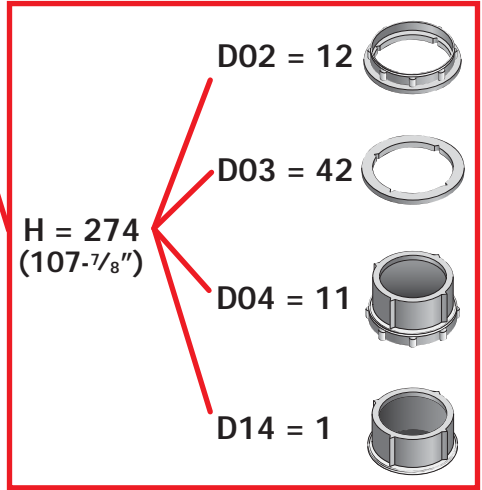
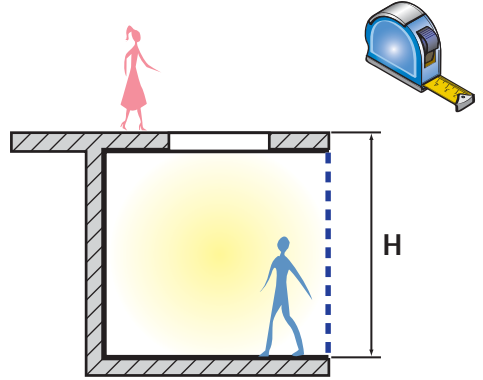
28 - 29

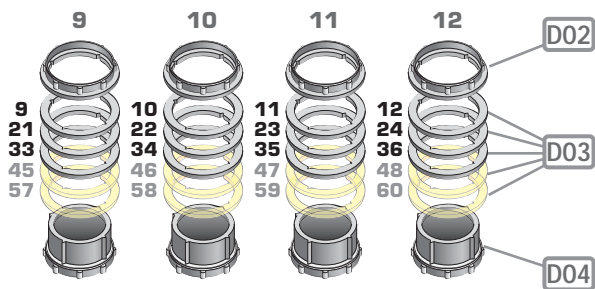
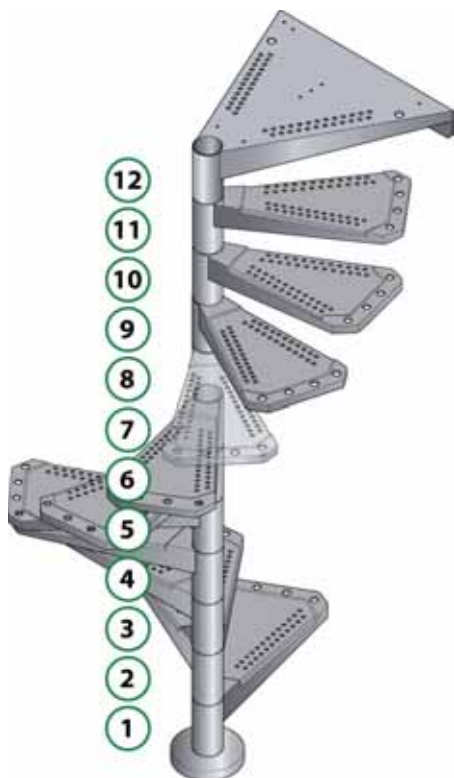
H cm	H inch	D02	D03	D04	D14
232	91 5/16	11	1	10	1
233	91 3/4	11	3	10	1
234	92 1/8	11	5	10	1
235	92 1/2	11	7	10	1
236	92 15/16	11	9	10	1
237	93 5/16	11	11	10	1
238	93 11/16	11	13	10	1
239	94 1/8	11	15	10	1
240	94 1/2	11	17	10	1
241	94 7/8	11	19	10	1
242	95 1/4	11	21	10	1
243	95 11/16	11	23	10	1
244	96 1/16	11	25	10	1
245	96 7/16	11	27	10	1
246	96 7/8	11	29	10	1
247	97 1/4	11	31	10	1
248	97 5/8	11	33	10	1
249	98 1/16	11	35	10	1
250	98 7/16	11	37	10	1
251	98 13/16	11	39	10	1
252	99 3/16	11	41	10	1
253	99 5/8	11	43	10	1
254	100	11	45	10	1
255	100 3/8	11	47	10	1
256	100 13/16	11	49	10	1
257	101 3/16	11	51	10	1
258	101 9/16	11	53	10	1
259	101 15/16	11	55	10	1



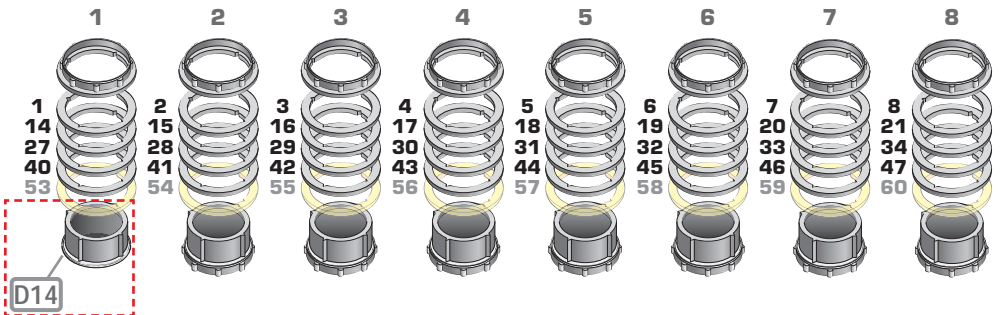
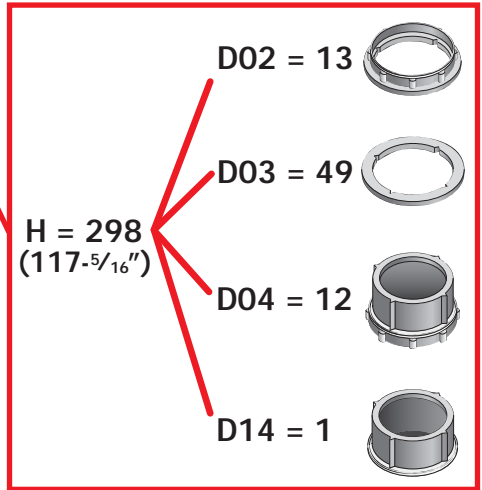
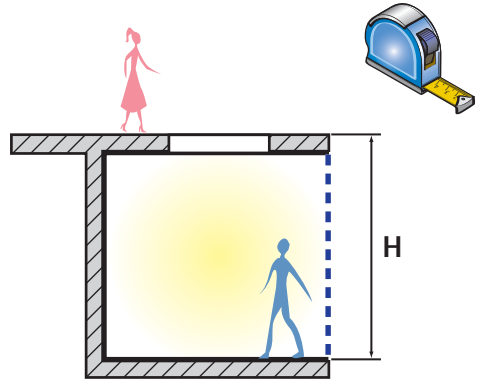


H cm	H inch		D02	D03	D04	D14
253	99	5/8	12	0	11	1
254	100		12	2	11	1
255	100	3/8	12	4	11	1
256	100	13/16	12	6	11	1
257	101	3/16	12	8	11	1
258	101	9/16	12	10	11	1
259	101	15/16	12	12	11	1
260	102	3/8	12	14	11	1
261	102	3/4	12	16	11	1
262	103	1/8	12	18	11	1
263	103	9/16	12	20	11	1
264	103	15/16	12	22	11	1
265	104	5/16	12	24	11	1
266	104	3/4	12	26	11	1
267	105	1/8	12	28	11	1
268	105	1/2	12	30	11	1
269	105	7/8	12	32	11	1
270	106	5/16	12	34	11	1
271	106	11/16	12	36	11	1
272	107	1/16	12	38	11	1
273	107	1/2	12	40	11	1
274	107	7/8	12	42	11	1
275	108	1/4	12	44	11	1
276	108	11/16	12	46	11	1
277	109	1/16	12	48	11	1
278	109	7/16	12	50	11	1
279	109	13/16	12	52	11	1
280	110	1/4	12	54	11	1
281	110	5/8	12	56	11	1
282	111		12	58	11	1
283	111	7/16	12	60	11	1

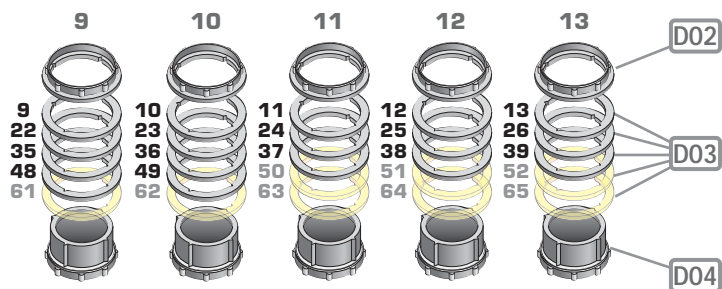
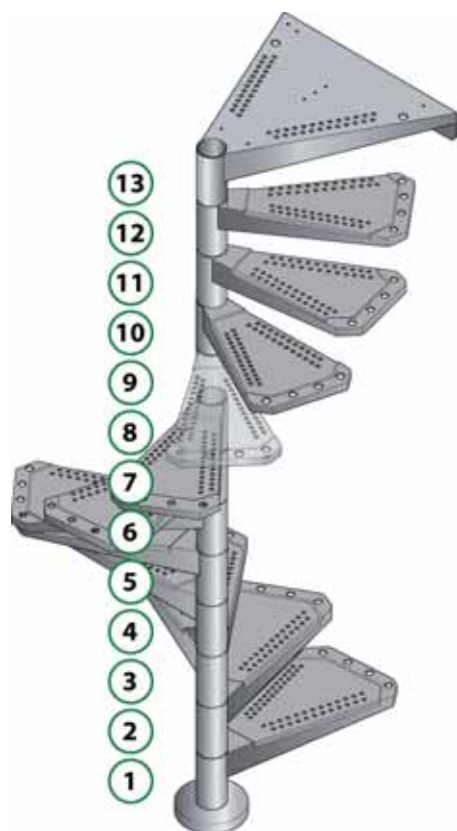




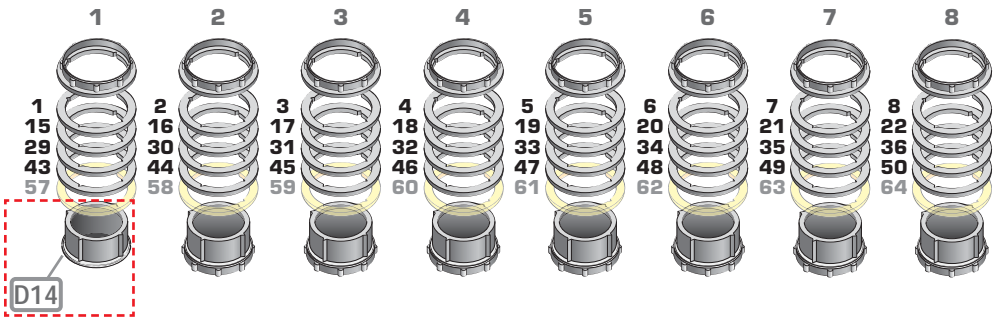
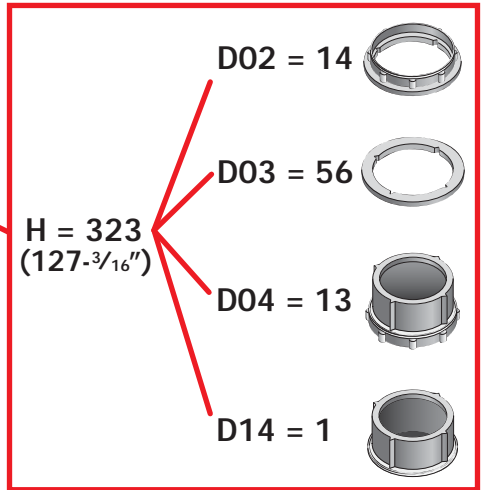
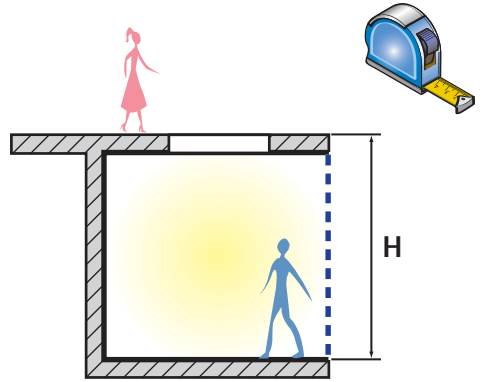
H cm	H inch	D02	D03	D04	D14
274	107 7/8	13	1	12	1
275	108 1/4	13	3	12	1
276	108 11/16	13	5	12	1
277	109 1/16	13	7	12	1
278	109 7/16	13	9	12	1
279	109 13/16	13	11	12	1
280	110 1/4	13	13	12	1
281	110 5/8	13	15	12	1
282	111	13	17	12	1
283	111 7/16	13	19	12	1
284	111 13/16	13	21	12	1
285	112 3/16	13	23	12	1
286	112 5/8	13	25	12	1
287	113	13	27	12	1
288	113 3/8	13	29	12	1
289	113 3/4	13	31	12	1
290	114 3/16	13	33	12	1
291	114 6/16	13	35	12	1
292	114 15/16	13	37	12	1
293	115 3/8	13	39	12	1
294	115 3/4	13	41	12	1
295	116 1/8	13	43	12	1
296	116 9/16	13	45	12	1
297	116 15/16	13	47	12	1
298	117 5/16	13	49	12	1
299	117 11/16	13	51	12	1
300	118 1/8	13	53	12	1
301	118 1/2	13	55	12	1
302	118 7/8	13	57	12	1
303	119 5/16	13	59	12	1
304	119 11/16	13	61	12	1
305	120 1/16	13	63	12	1
306	120 1/2	13	65	12	1

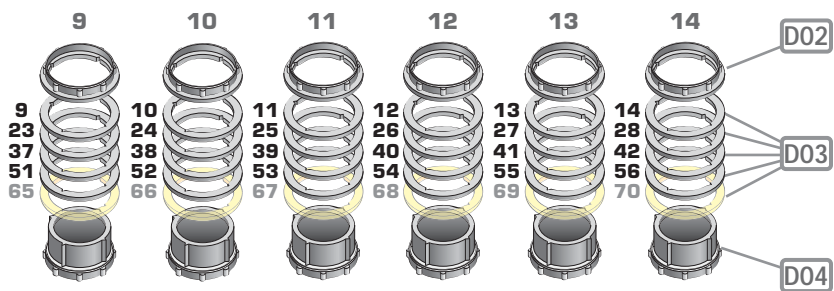
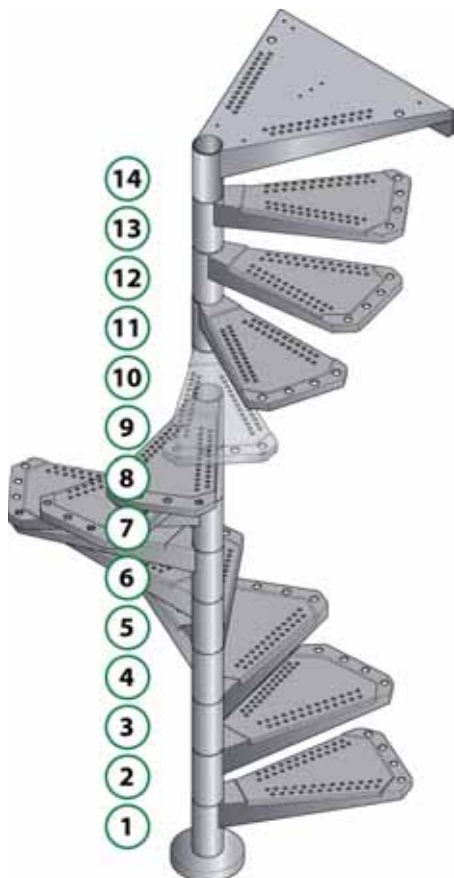




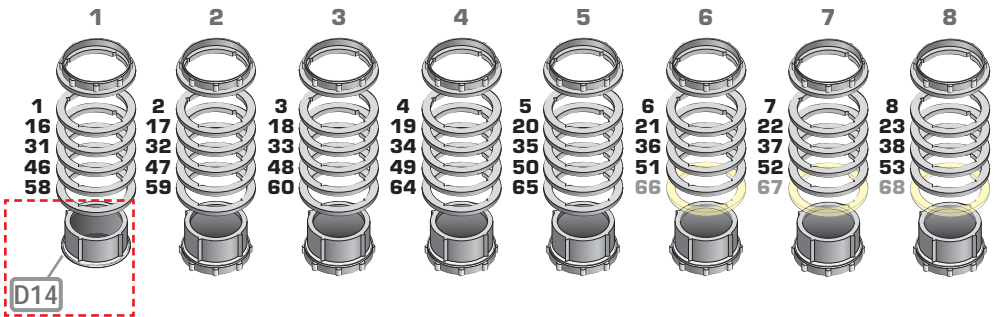
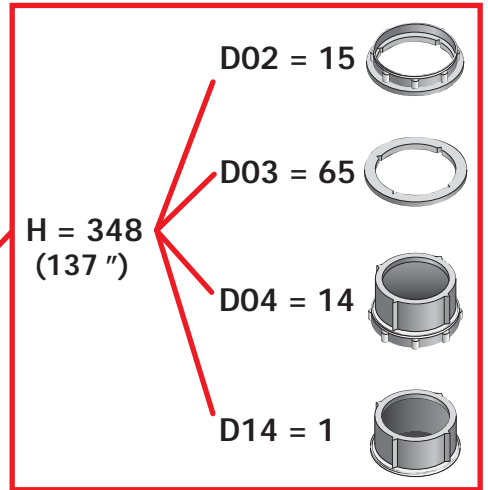
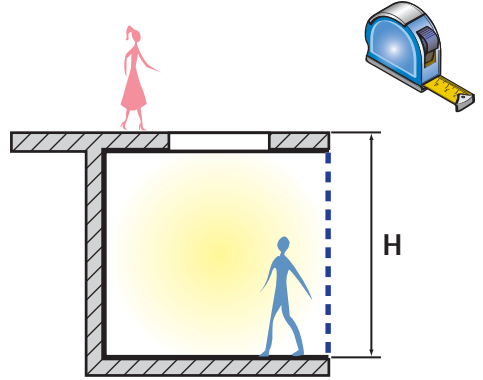


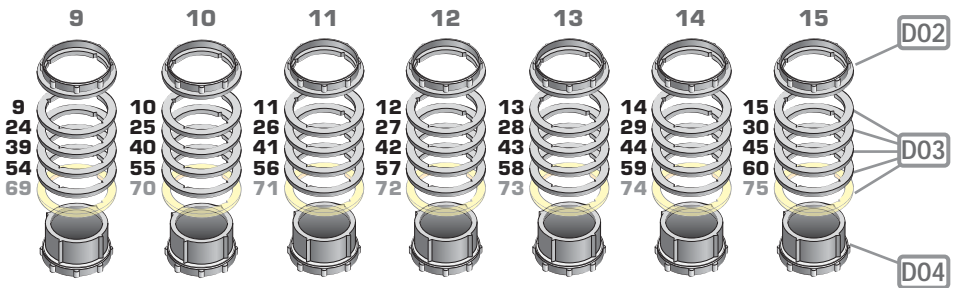
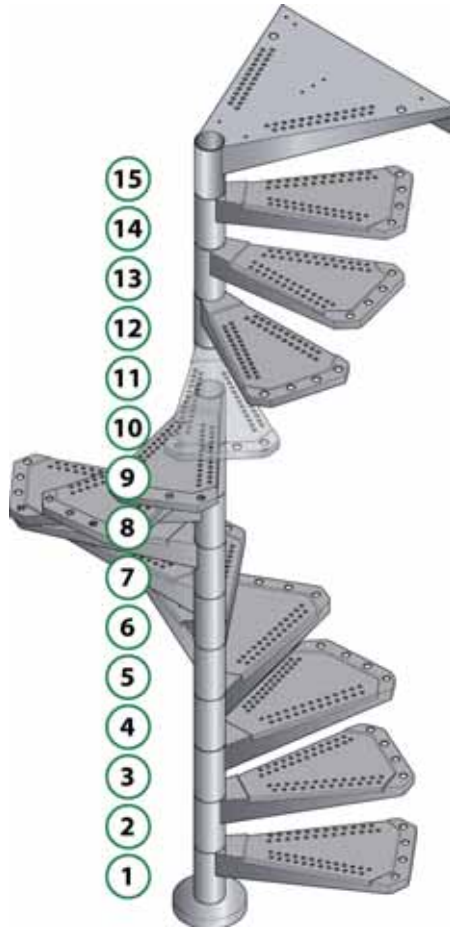
H cm	H inch		D02	D03	D04	D14
295	116	1/8	14	0	13	1
296	116	9/16	14	2	13	1
297	116	15/16	14	4	13	1
298	117	5/16	14	6	13	1
299	117	11/16	14	8	13	1
300	118	1/8	14	10	13	1
301	118	1/2	14	12	13	1
302	118	7/8	14	14	13	1
303	119	5/16	14	16	13	1
304	119	11/16	14	18	13	1
305	120	1/16	14	20	13	1
306	120	1/2	14	22	13	1
307	120	7/8	14	24	13	1
308	121	1/4	14	26	13	1
309	121	5/8	14	28	13	1
310	122	1/16	14	30	13	1
311	122	7/16	14	32	13	1
312	122	13/16	14	34	13	1
313	123	1/4	14	36	13	1
314	123	5/8	14	38	13	1
315	124		14	40	13	1
316	124	7/16	14	42	13	1
317	124	13/16	14	44	13	1
318	125	3/16	14	46	13	1
319	125	9/16	14	48	13	1
320	126		14	50	13	1
321	126	3/8	14	52	13	1
322	126	3/4	14	54	13	1
323	127	3/16	14	56	13	1
324	127	9/16	14	58	13	1
325	127	15/16	14	60	13	1
326	128	3/8	14	62	13	1
327	128	3/4	14	64	13	1
328	129	1/8	14	66	13	1
329	129	1/2	14	68	13	1
330	129	15/16	14	70	13	1

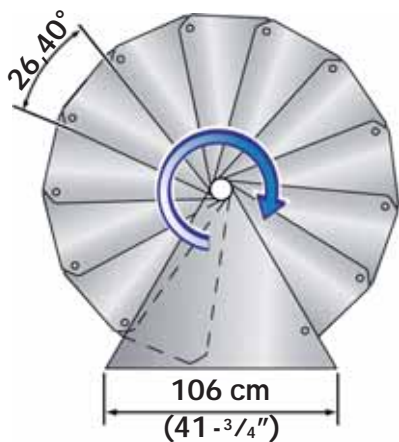




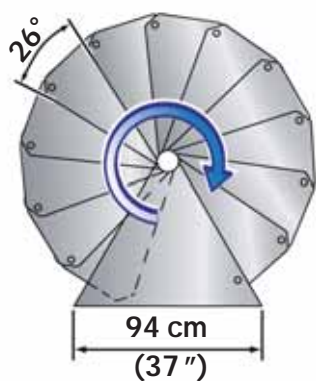
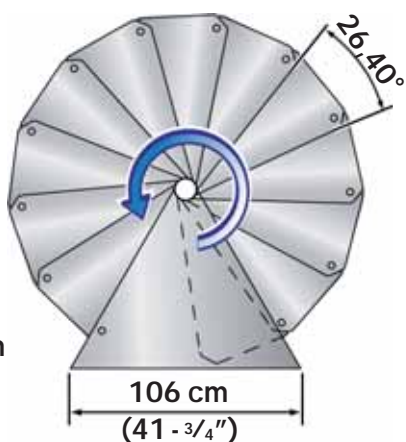
H cm	H inch	D02	D03	D04	D14
316	124 7/16	15	1	14	1
317	124 13/16	15	3	14	1
318	125 3/16	15	5	14	1
319	125 9/16	15	7	14	1
320	126	15	9	14	1
321	126 3/8	15	11	14	1
322	126 3/4	15	13	14	1
323	127 3/16	15	15	14	1
324	127 9/16	15	17	14	1
325	127 15/16	15	19	14	1
326	128 3/8	15	21	14	1
327	128 3/4	15	23	14	1
328	129 1/8	15	25	14	1
329	129 1/2	15	27	14	1
330	129 15/16	15	29	14	1
331	130 5/16	15	31	14	1
332	130 11/16	15	33	14	1
333	131 1/8	15	35	14	1
334	131 1/2	15	37	14	1
335	131 7/8	15	39	14	1
336	132 5/16	15	41	14	1
337	132 11/16	15	43	14	1
338	133 1/16	15	45	14	1
339	133 7/16	15	47	14	1
340	133 7/8	15	49	14	1
341	134 1/4	15	51	14	1
342	134 5/8	15	53	14	1
343	135 10/16	15	55	14	1
344	135 7/16	15	57	14	1
345	135 13/16	15	59	14	1
346	136 1/4	15	61	14	1
347	136 5/8	15	63	14	1
348	137	15	65	14	1
349	137 3/8	15	67	14	1
350	137 13/16	15	69	14	1
351	138 3/16	15	71	14	1
352	138 9/16	15	73	14	1
353	139	15	75	14	1



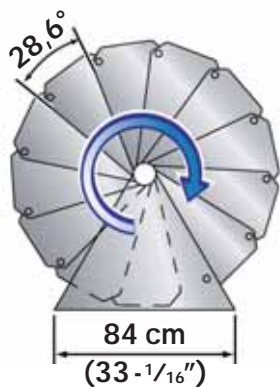
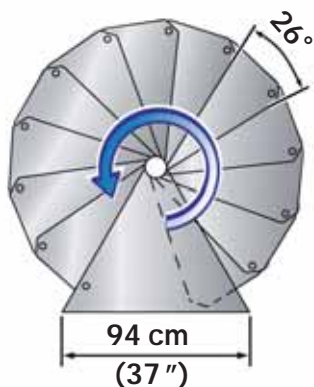




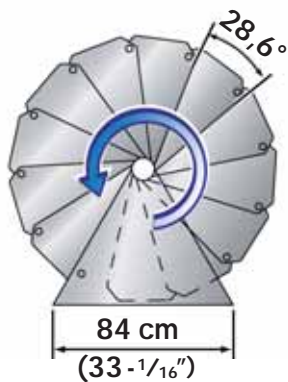
Ø 160 cm  
(D 63")

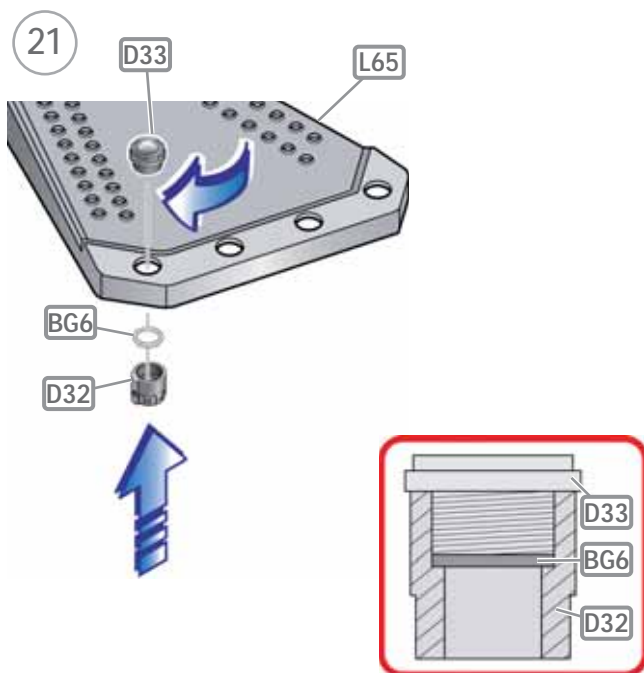
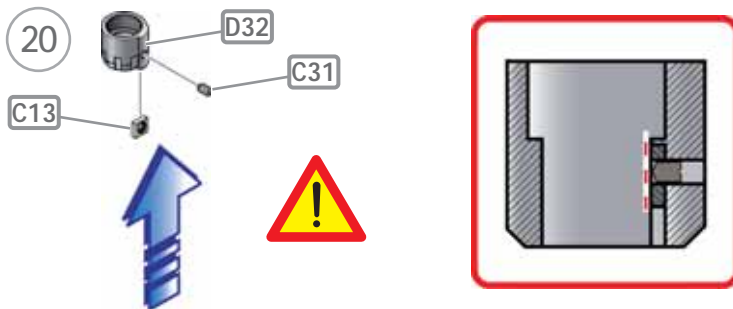


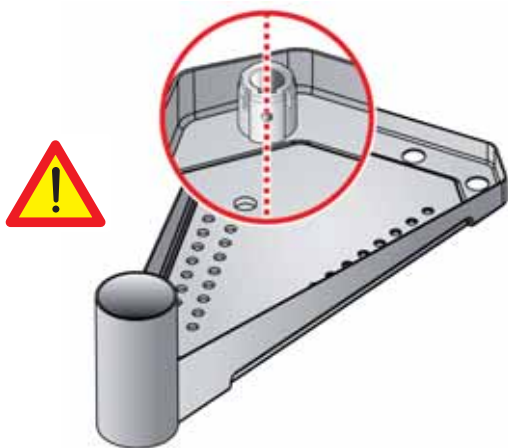
Ø 140 cm  
(D 55-1/8")



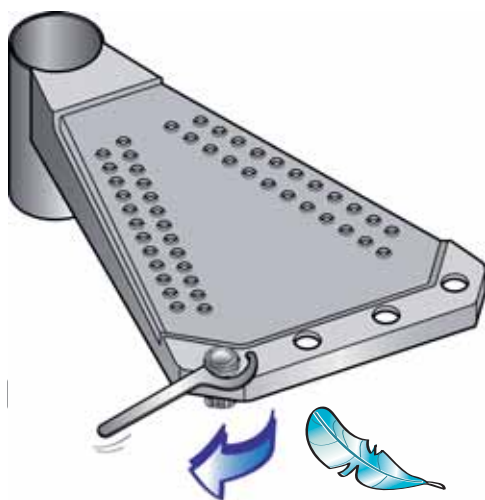
Ø 120 cm  
(D 47-1/4")



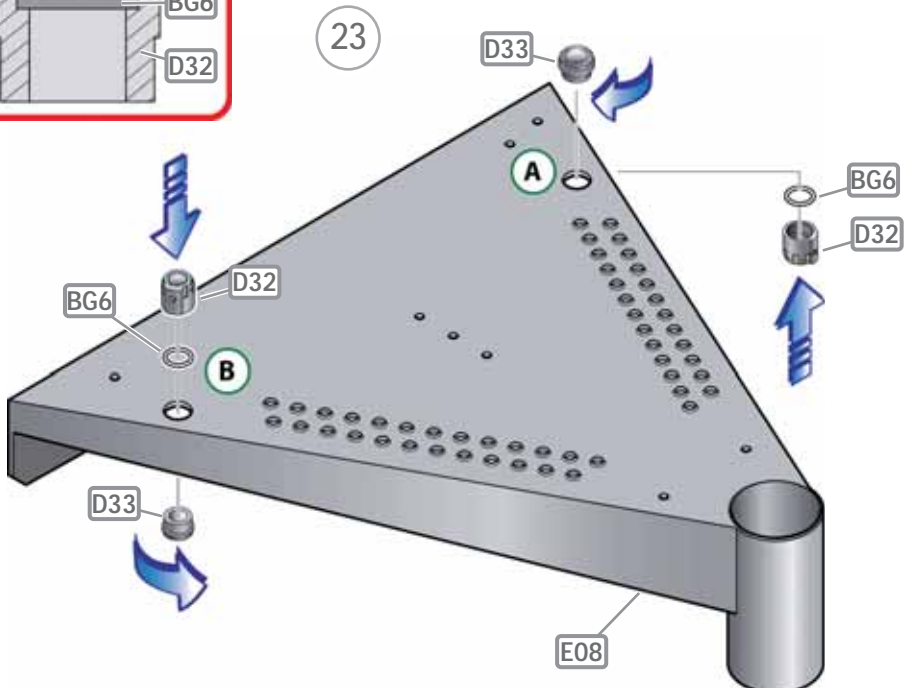
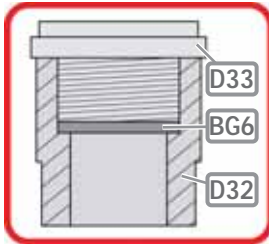
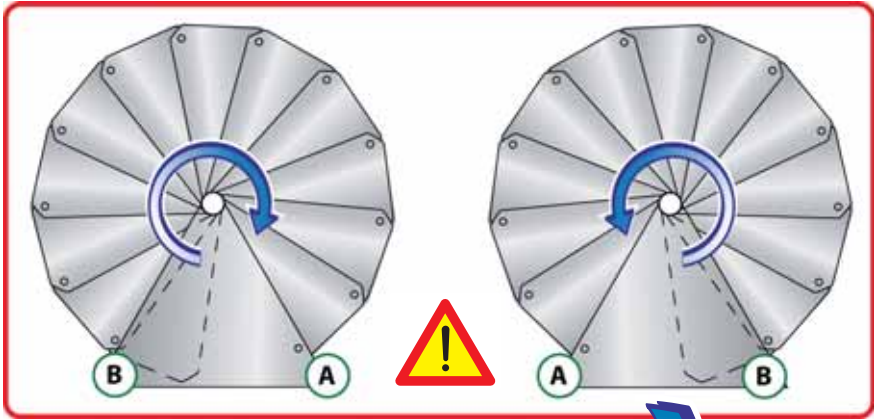


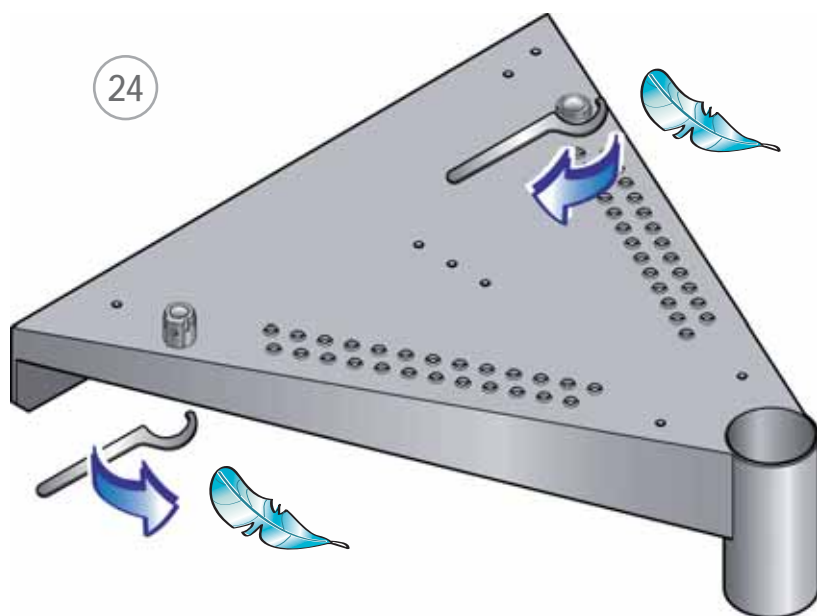
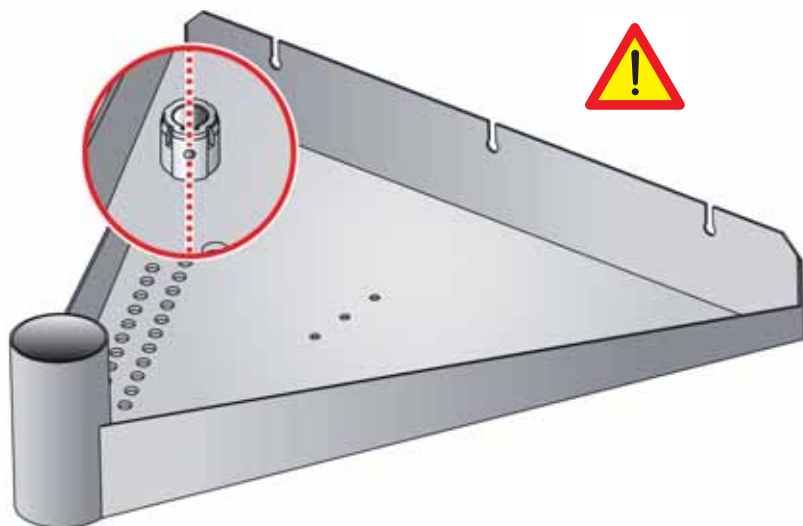


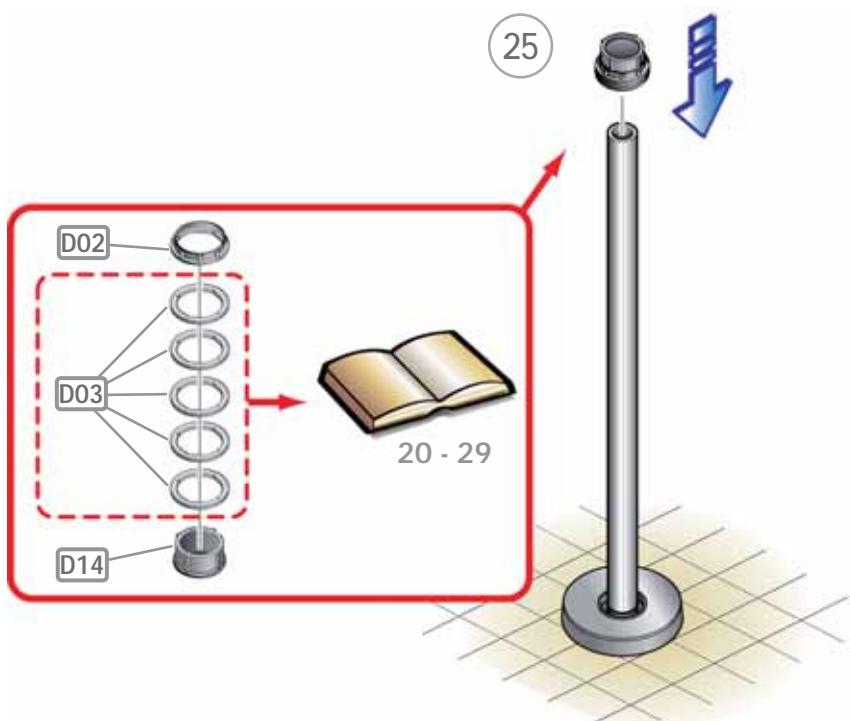
22

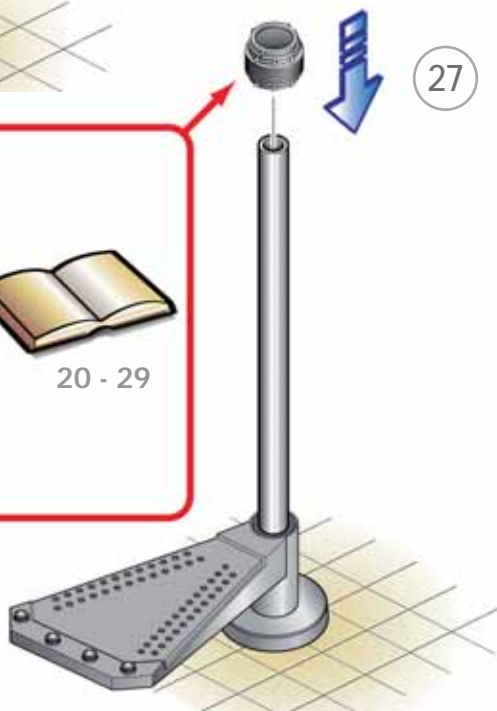
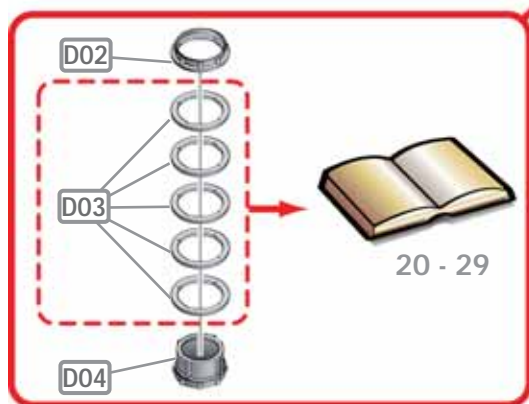
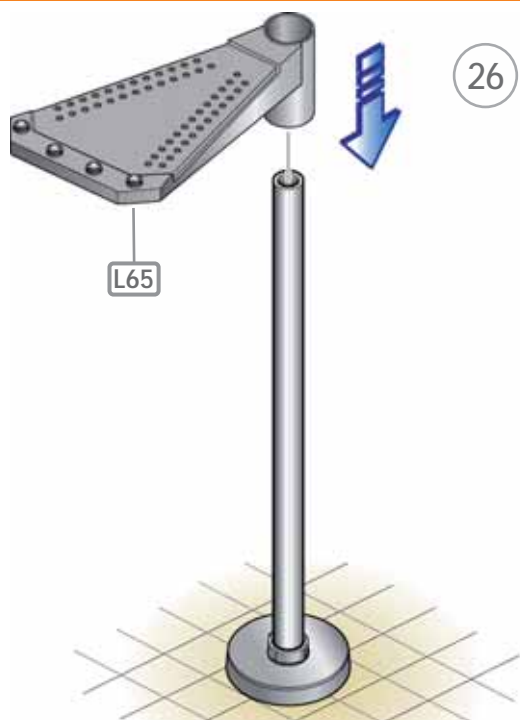


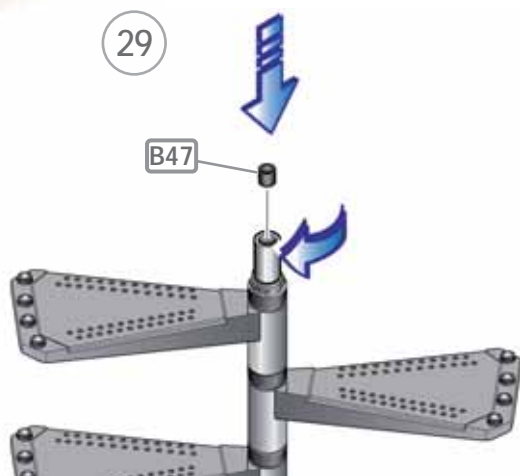
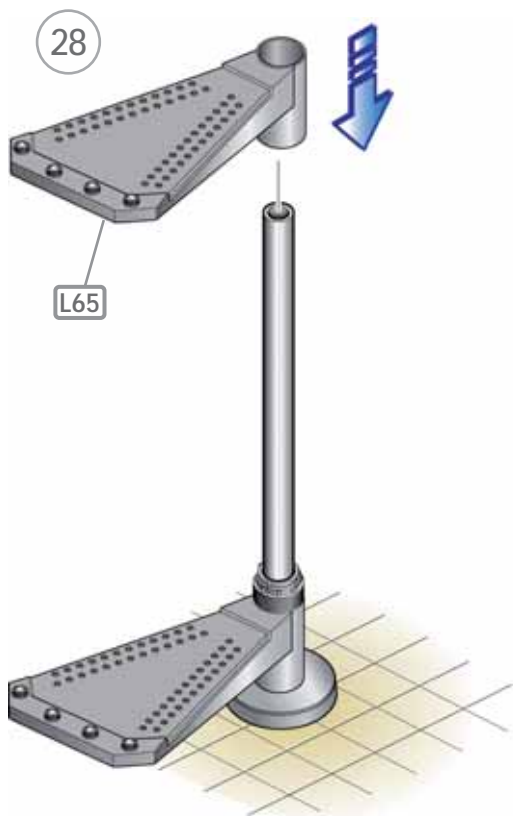


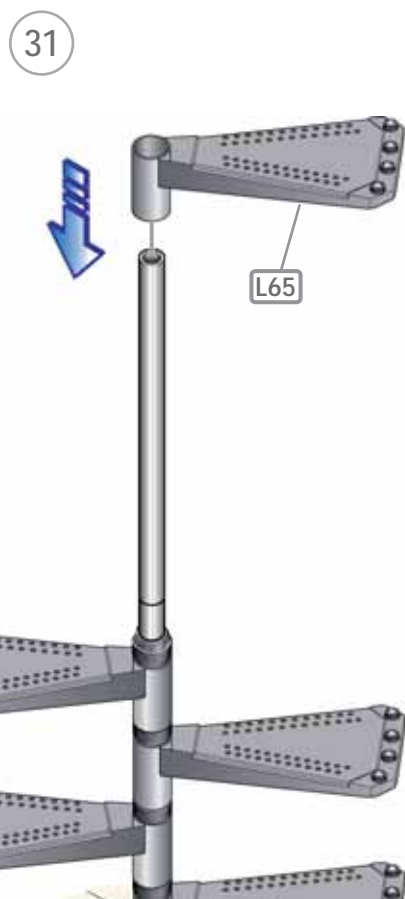
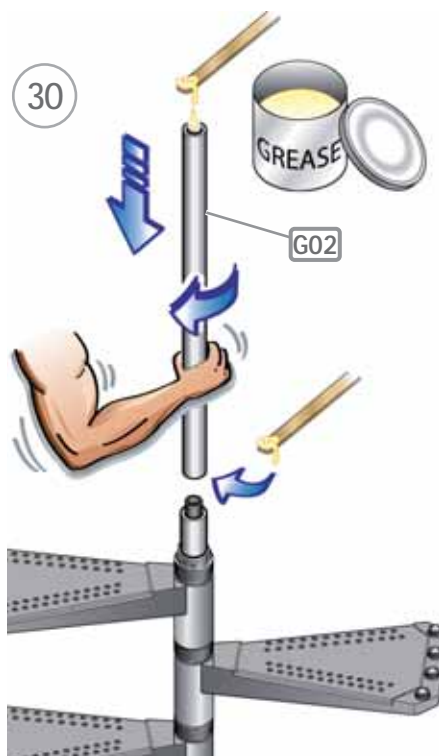


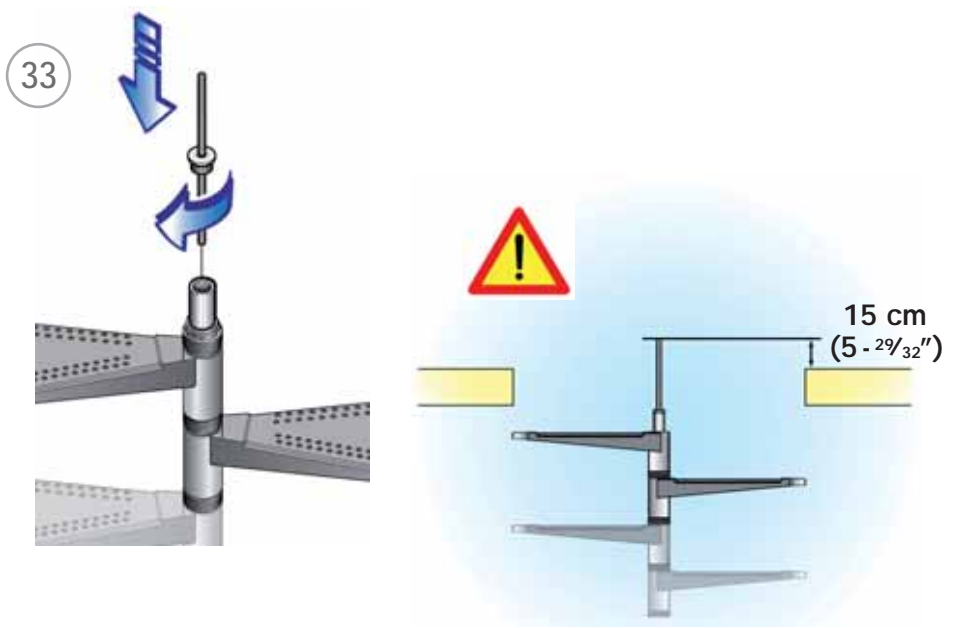
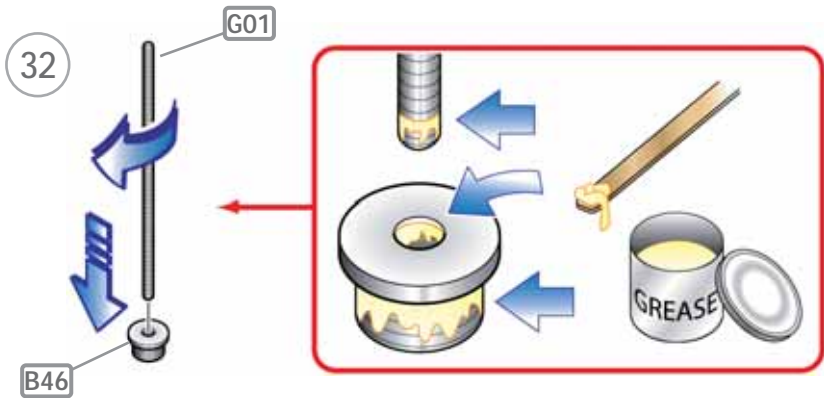


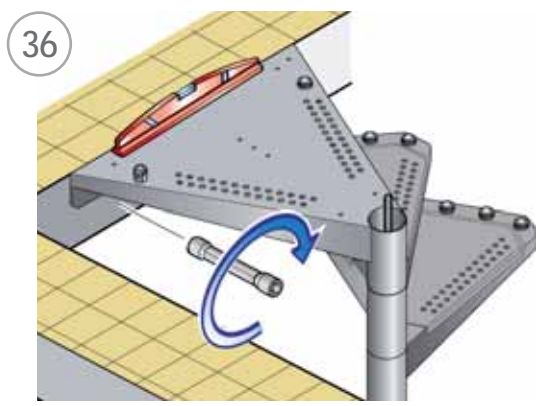
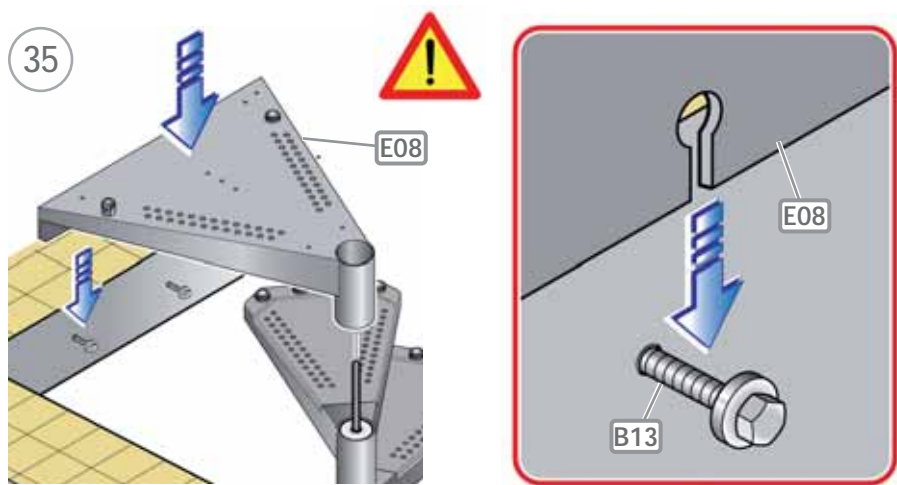
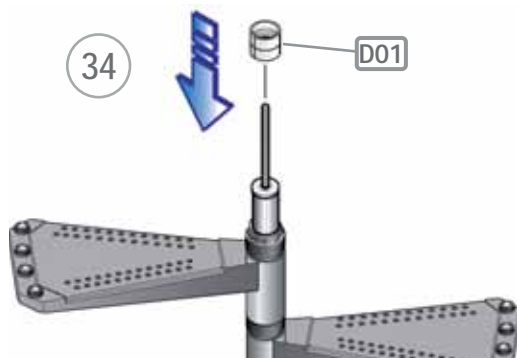






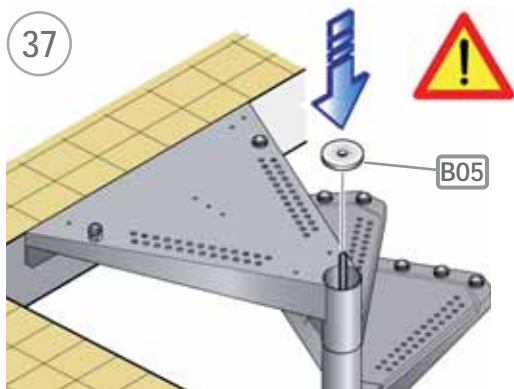




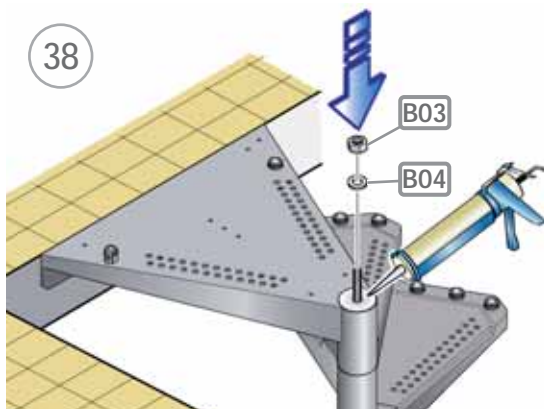




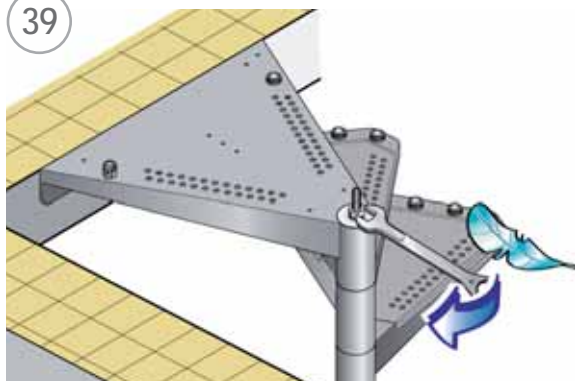
37



38



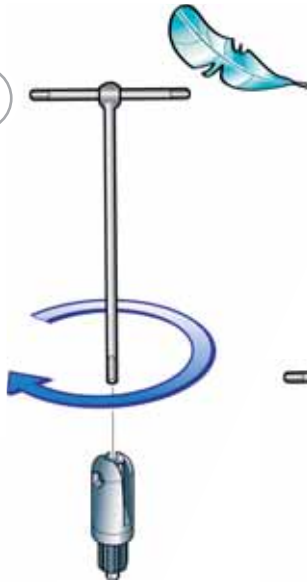
39



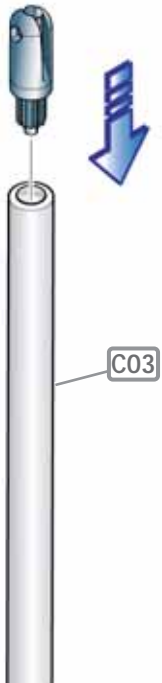
40



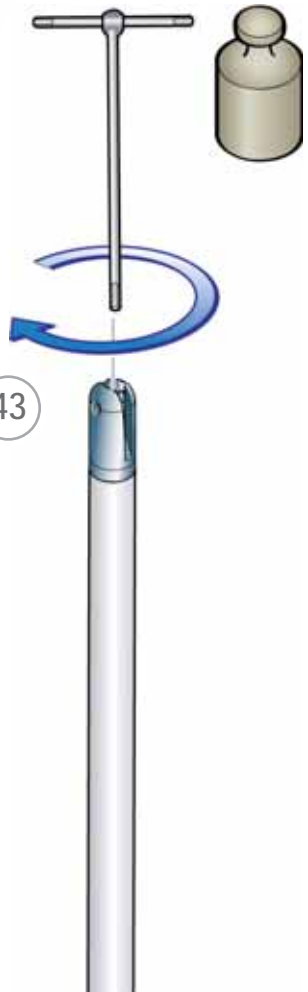
41

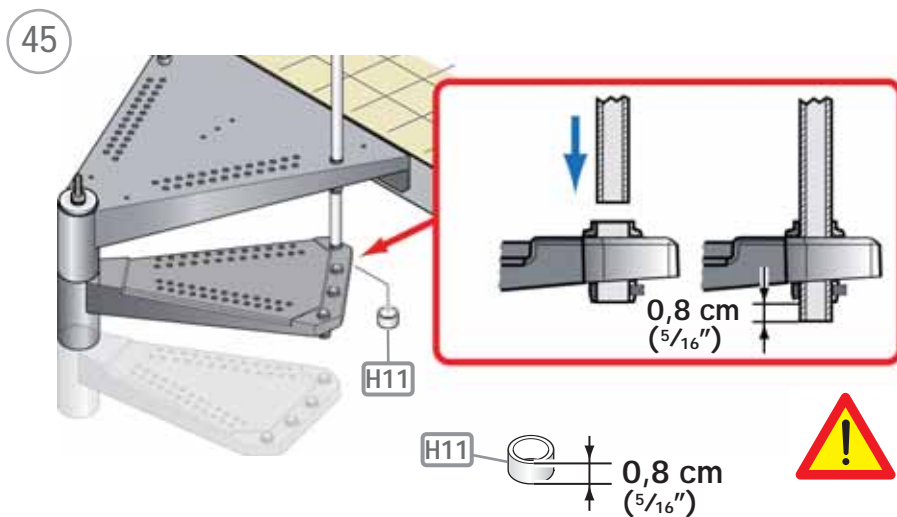
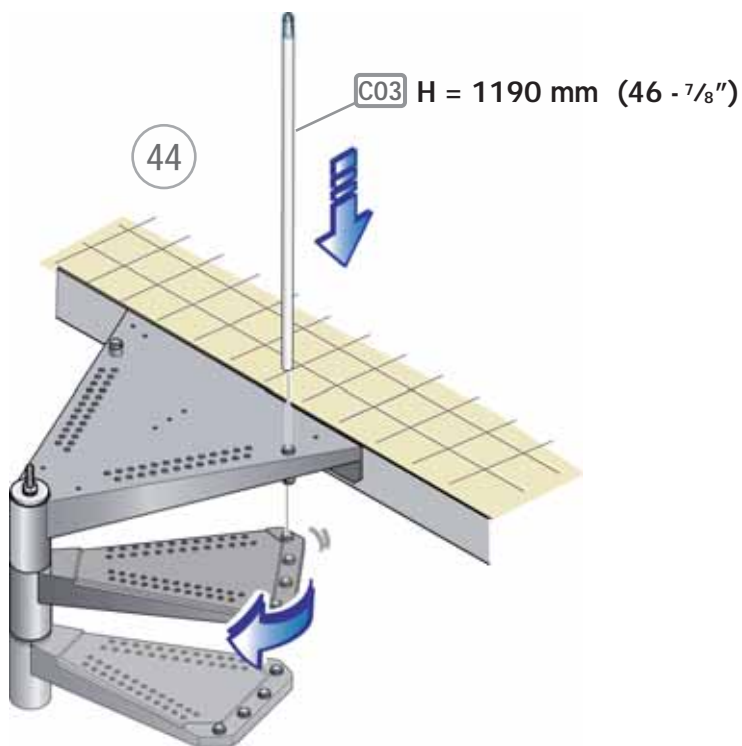


42

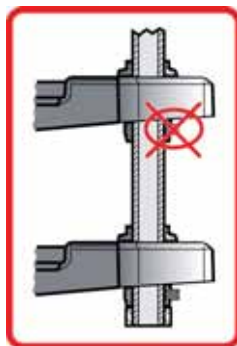
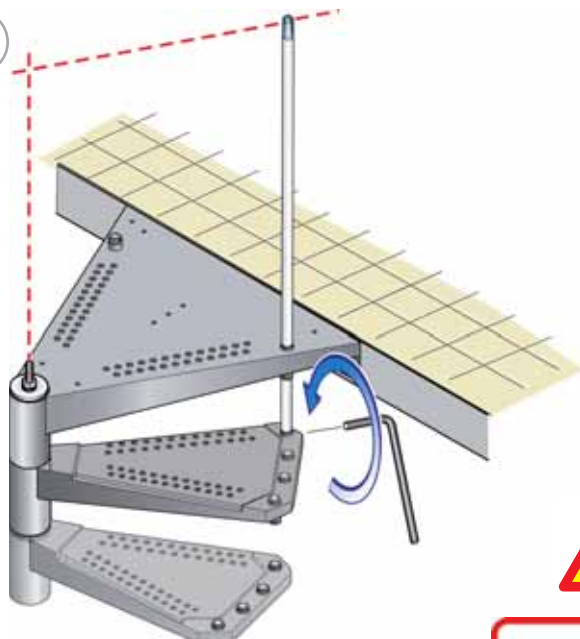


43

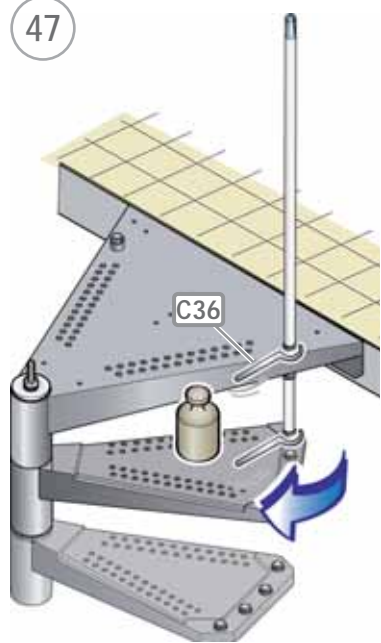




46

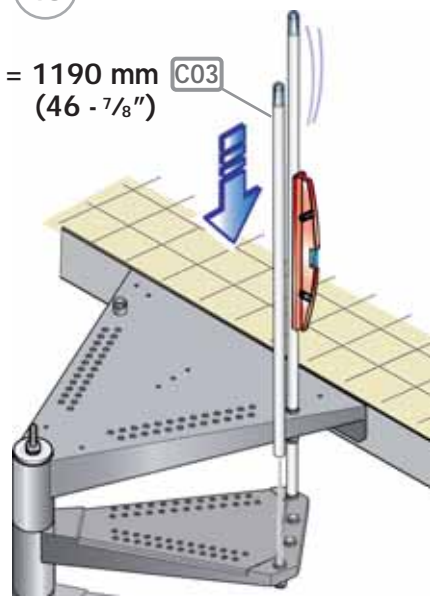


47

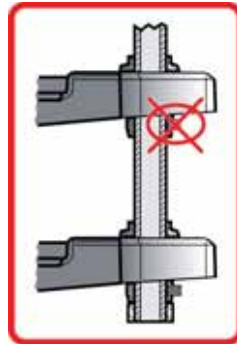
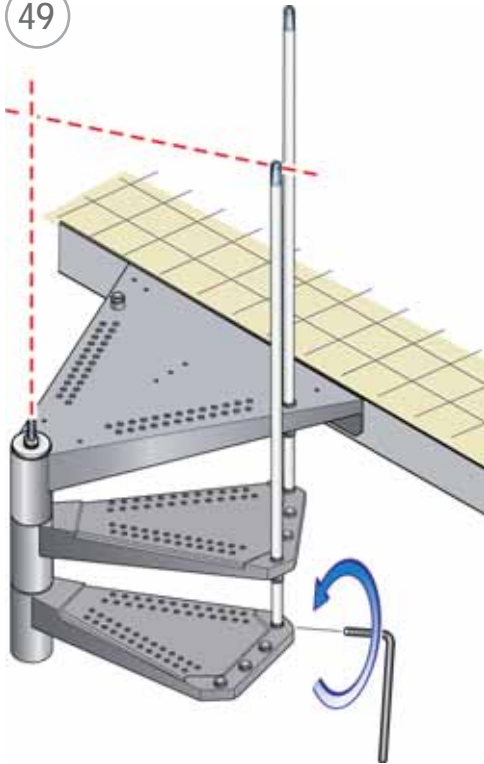


48

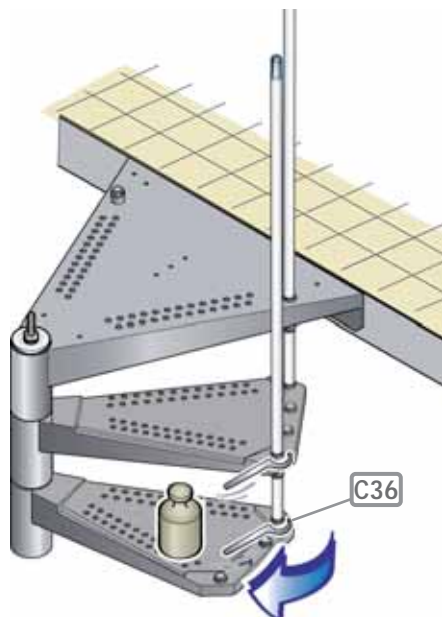
H = 1190 mm  
(46 - 7/8")

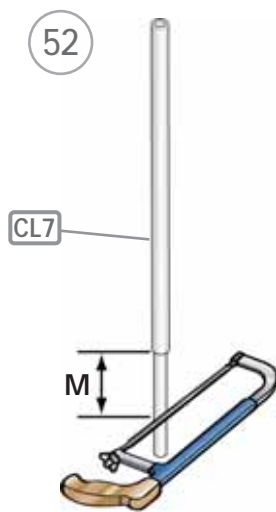
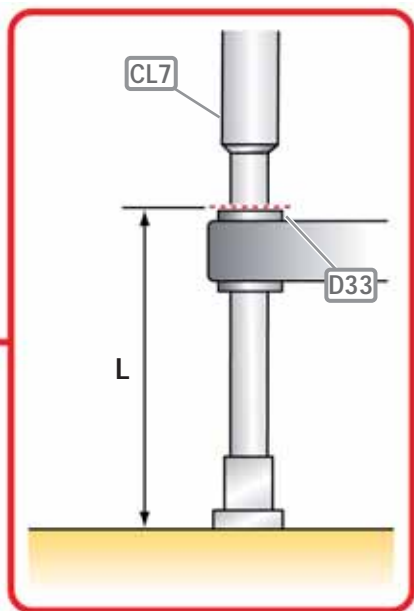
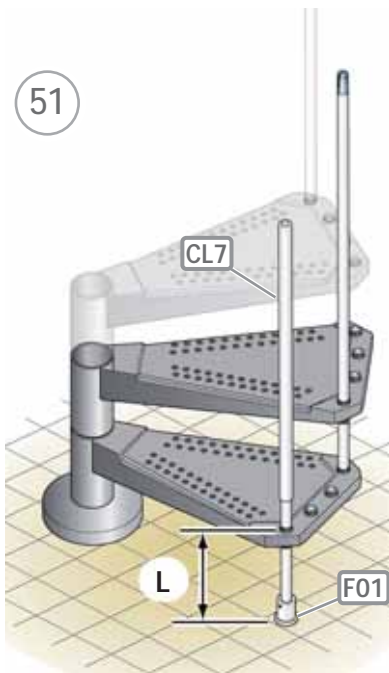


49



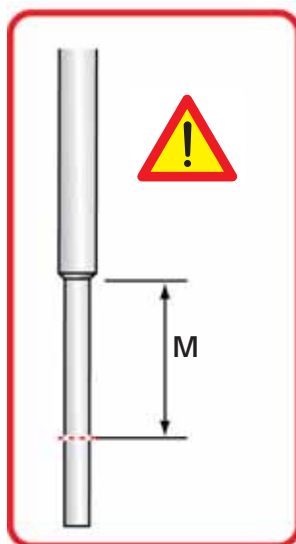
50



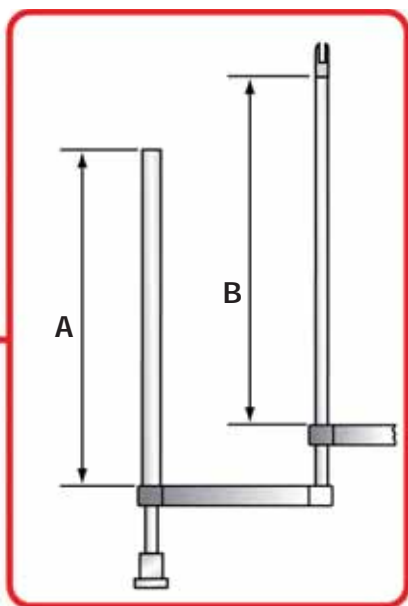
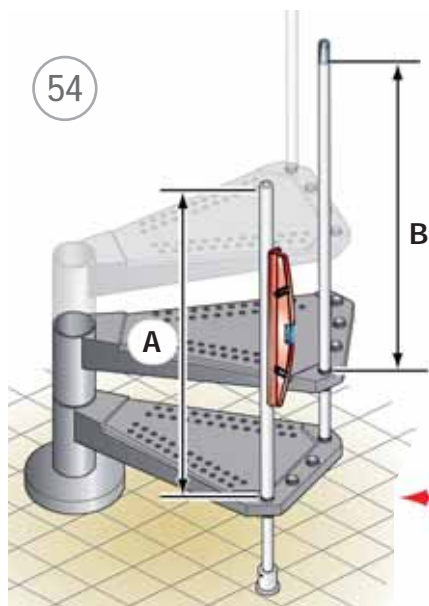


$$M = L - 5 \text{ mm}$$

$$M = L - \frac{13}{64}''$$

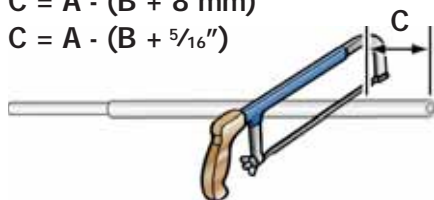


54



55

$$C = A - (B + 8 \text{ mm})$$
$$C = A - (B + \frac{5}{16} \text{''})$$



56

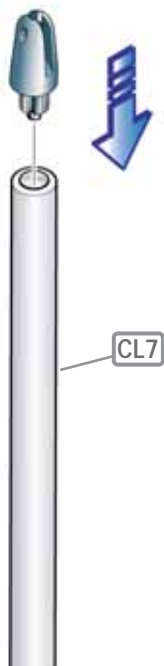




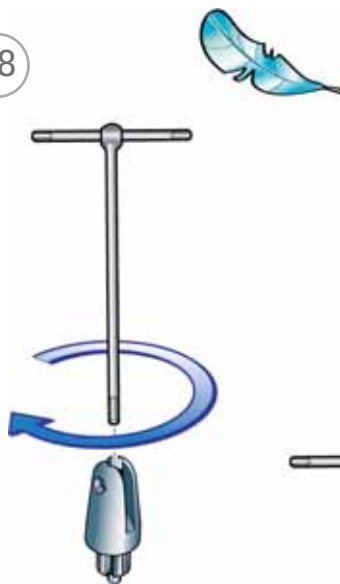
57



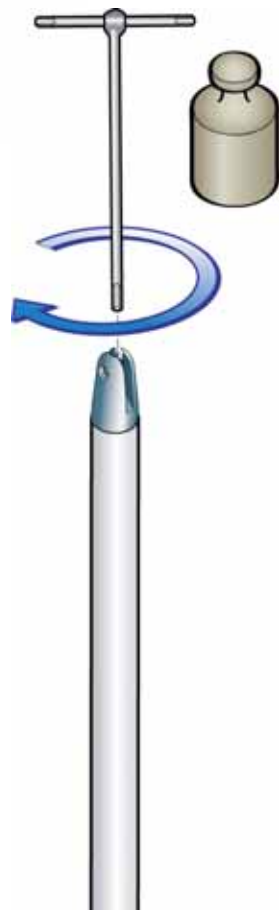
59

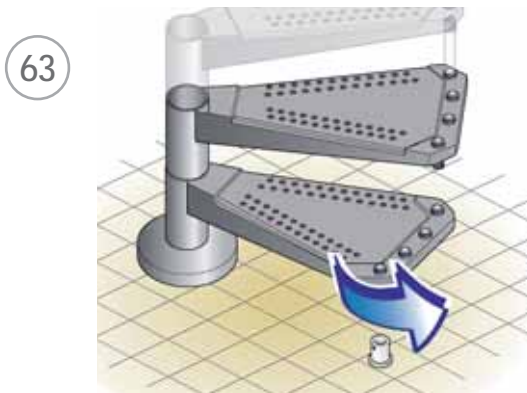
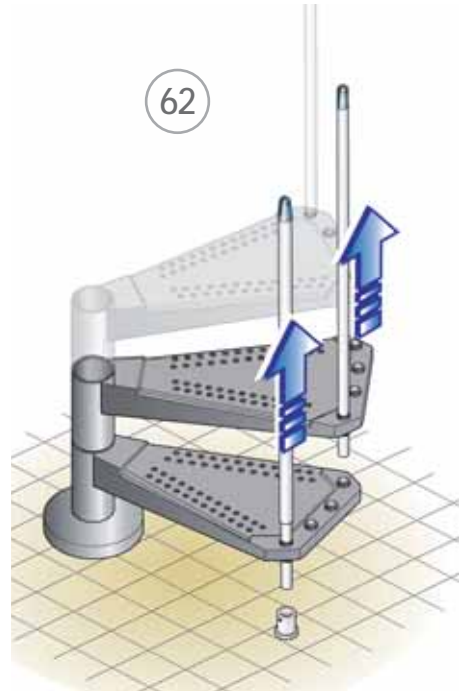
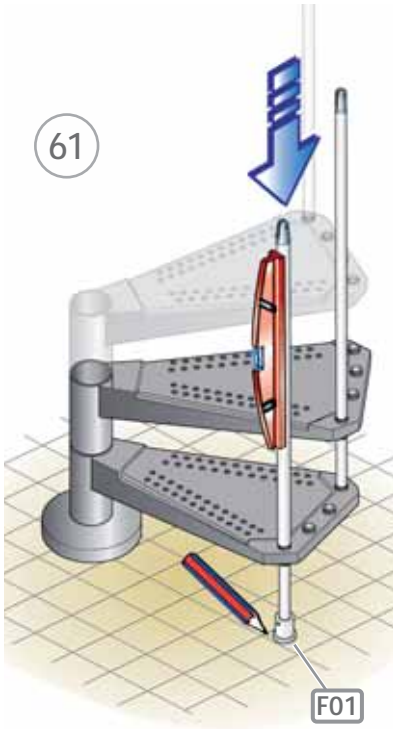


58

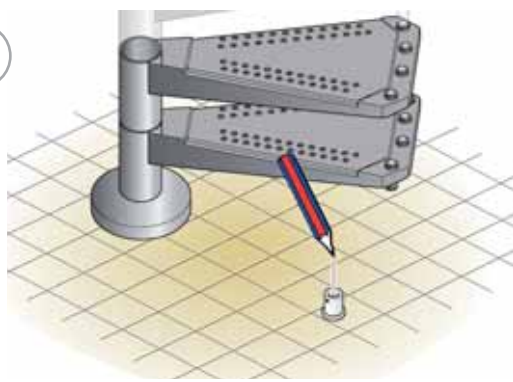


60

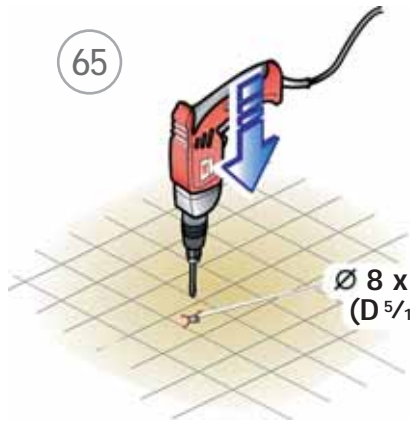




64

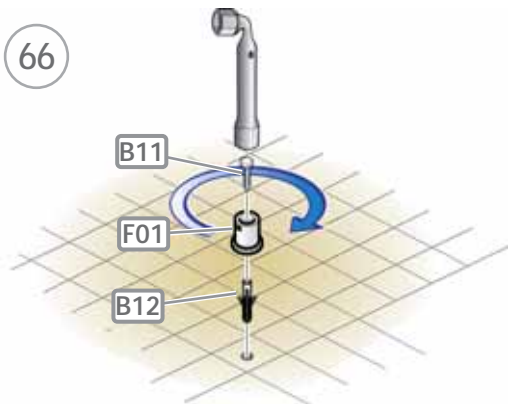


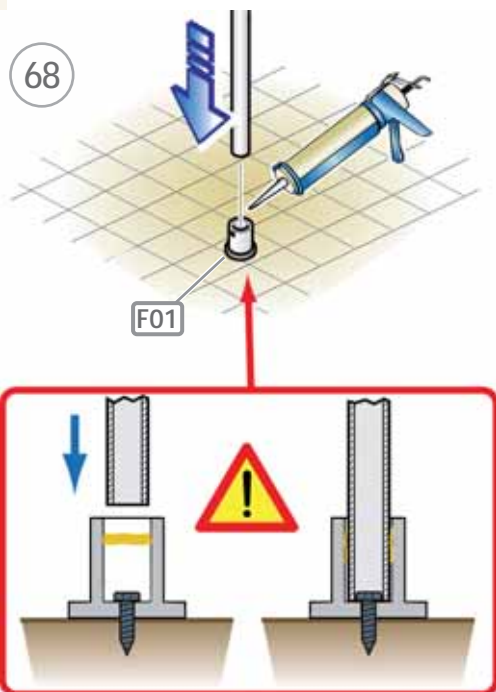
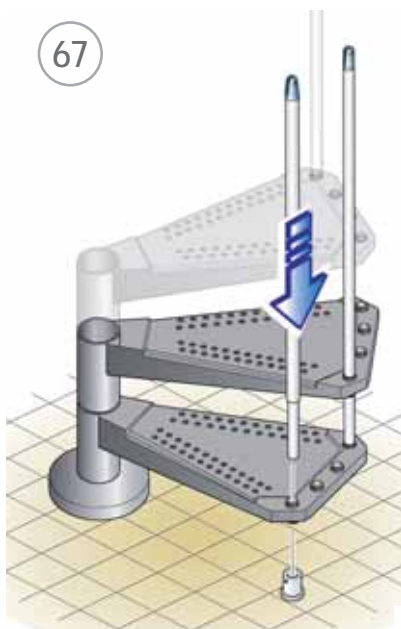
65

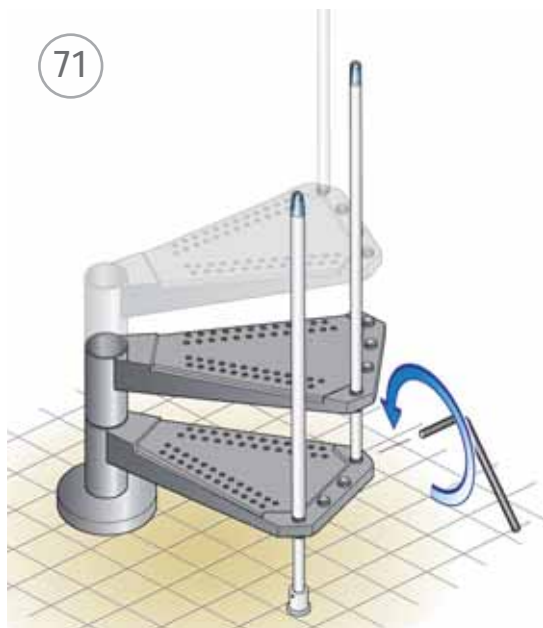
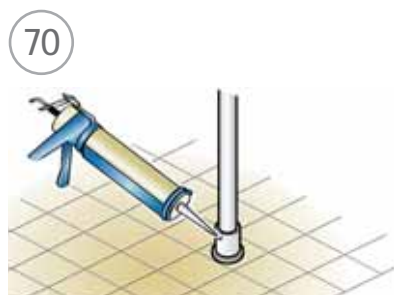
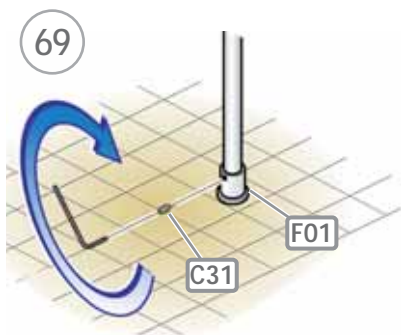


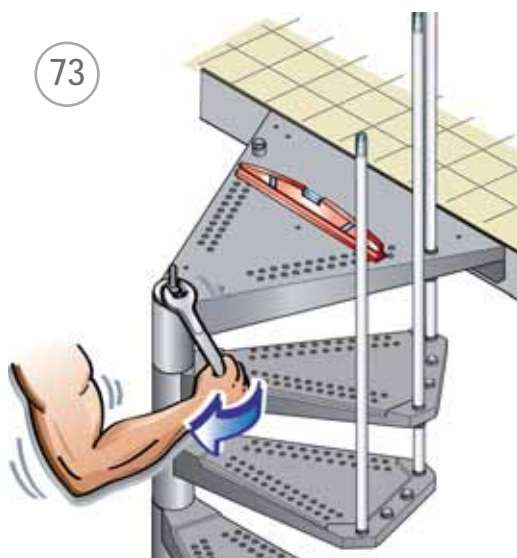
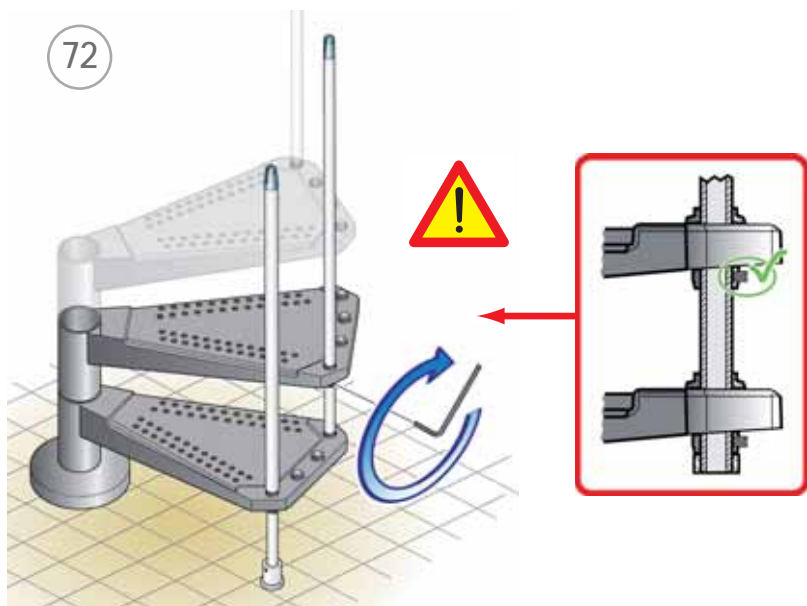
Ø 8 x 50 mm  
(D 5/16" x 1-31/32")

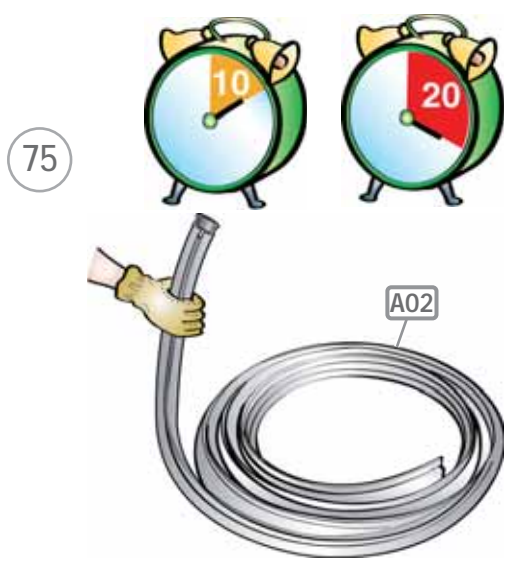
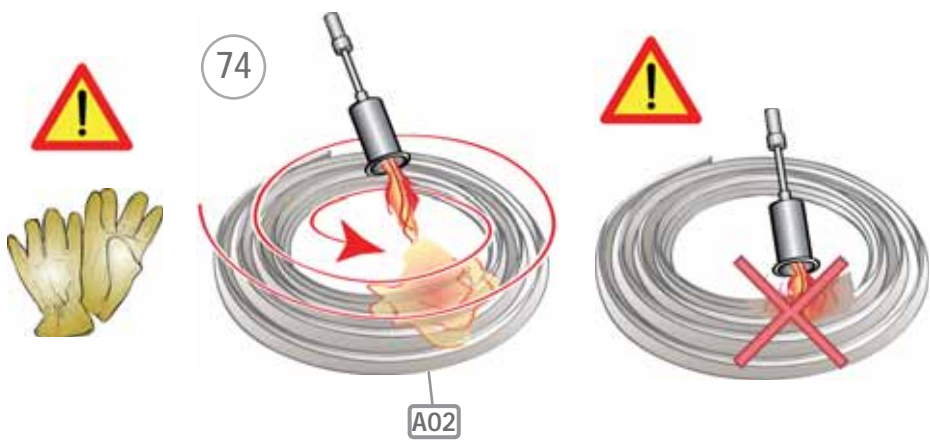
66



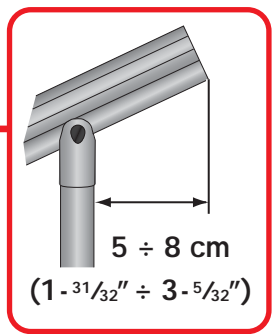
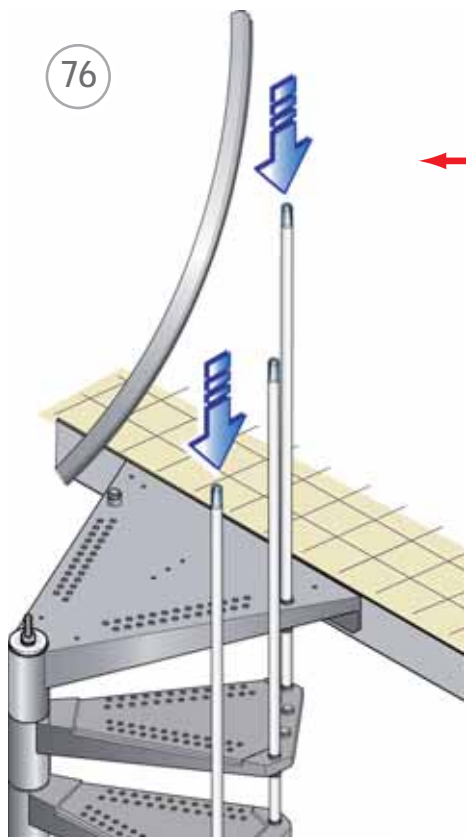




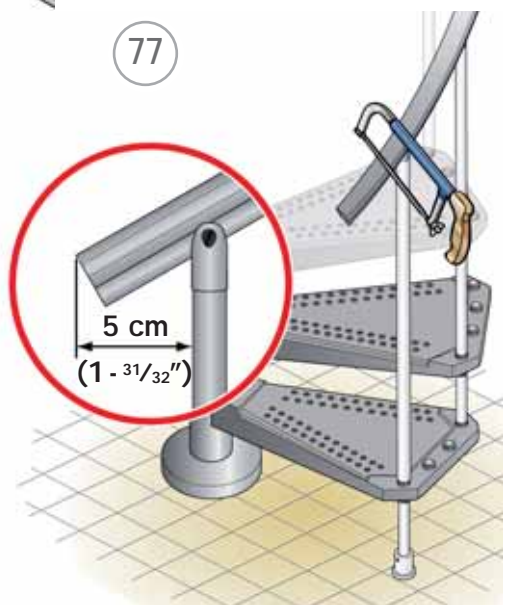




76



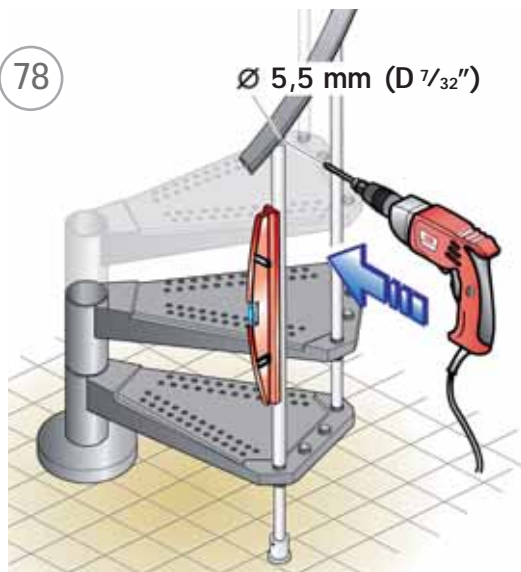
77





78

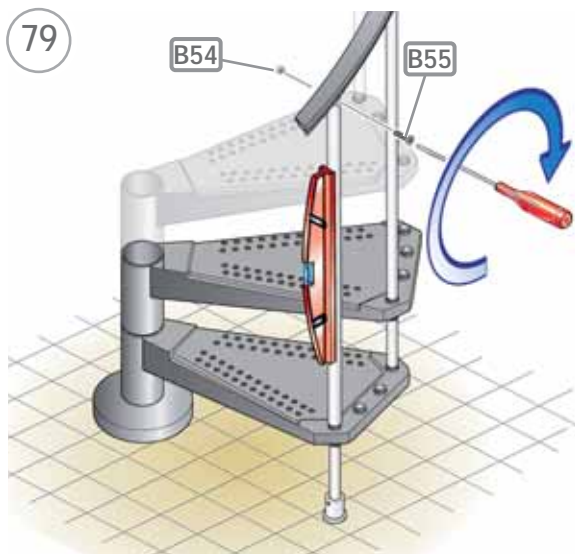
Ø 5,5 mm (D 7/32")



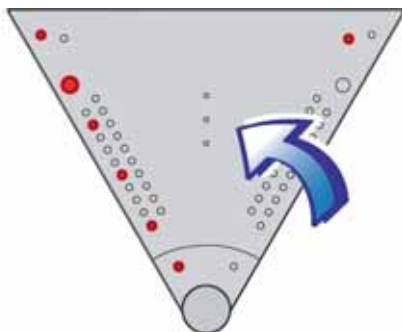
79

B54

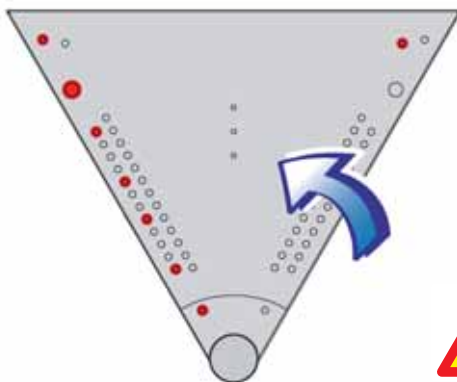
B55



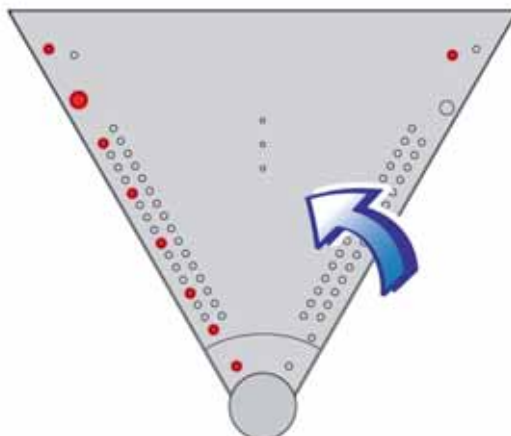
Ø 120 cm (D 47-1/4")



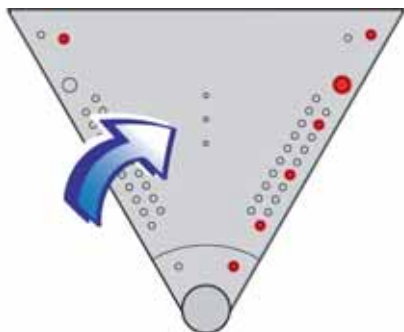
Ø 140 cm (D 55-1/8")



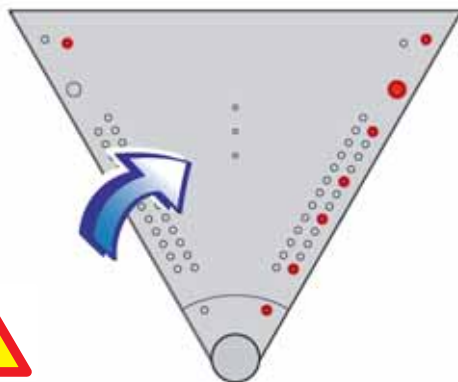
Ø 160 cm (D 63")



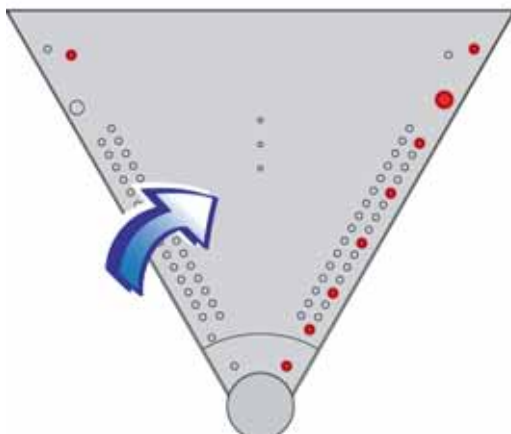
Ø 120 cm (D 47 - 1/4")



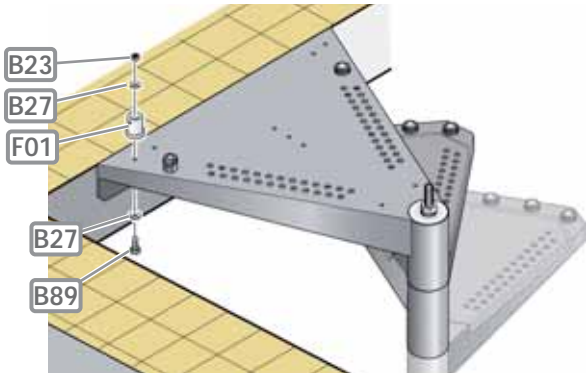
Ø 140 cm (D 55 - 1/8")



Ø 160 cm (D 63")

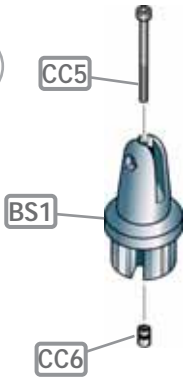


80

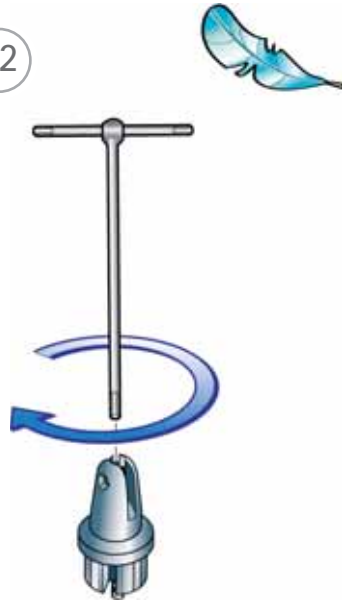


58 - 59

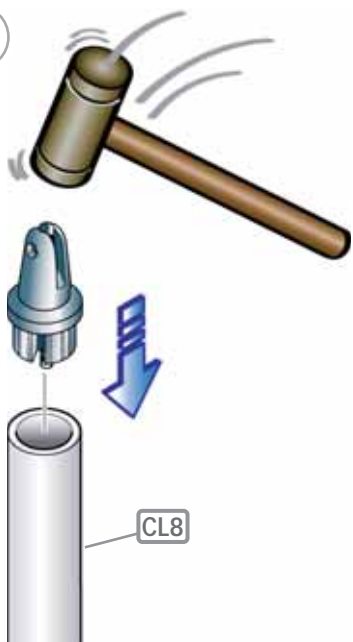
81



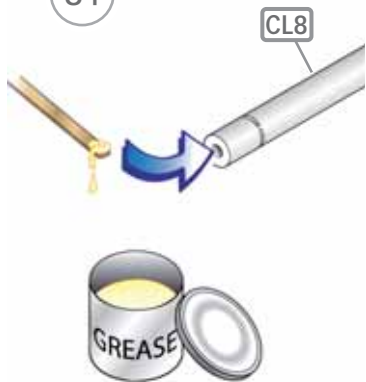
82



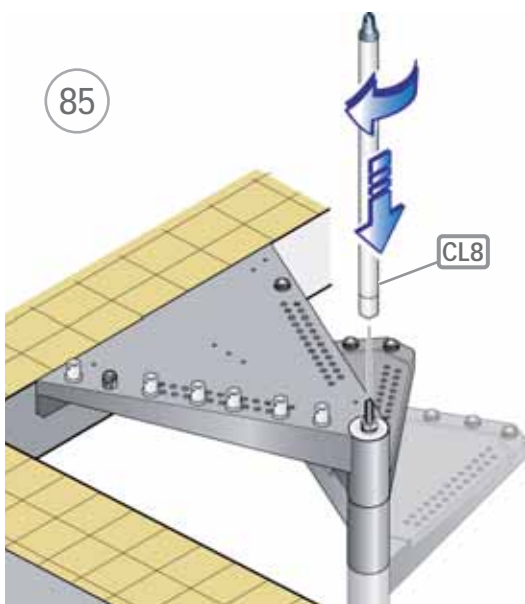
83



84

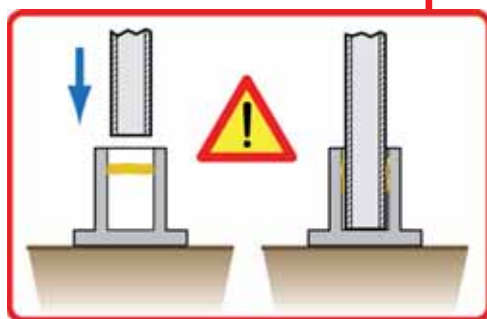
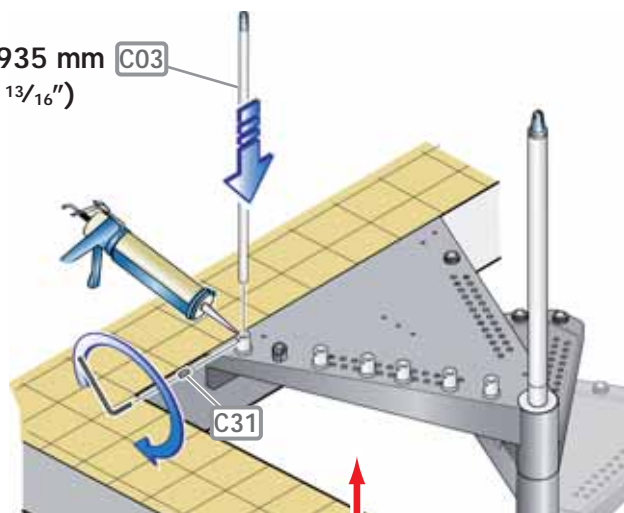


85

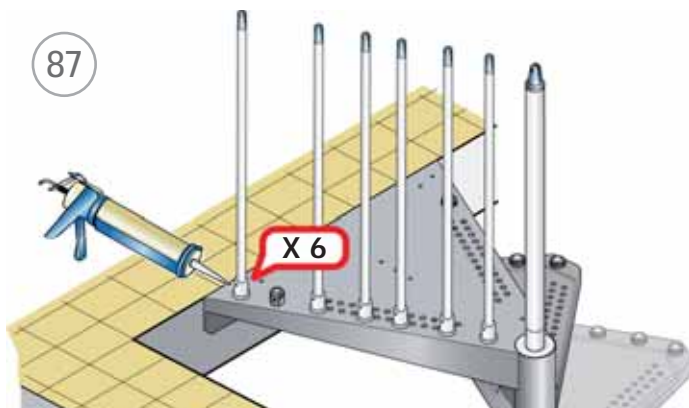


86

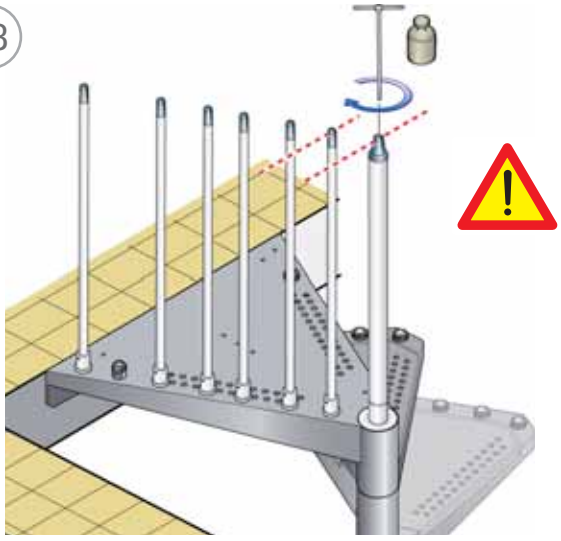
H = 935 mm  
(36 - <sup>13</sup>/<sub>16</sub>" )



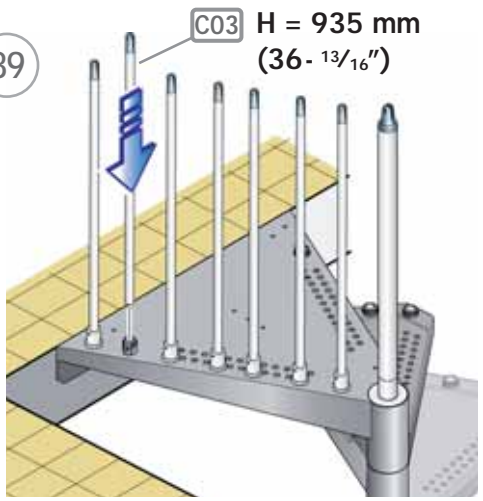
87

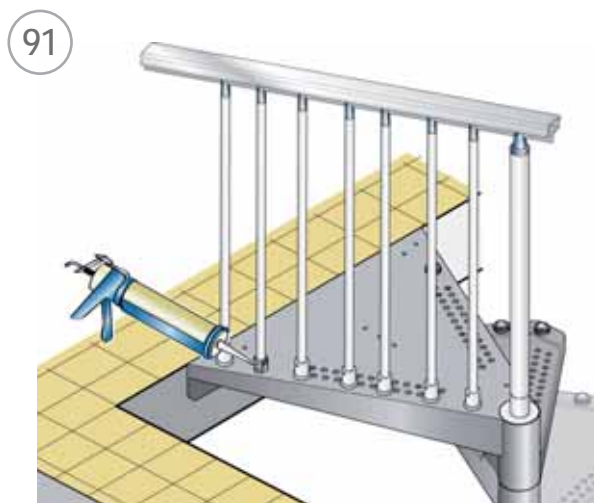
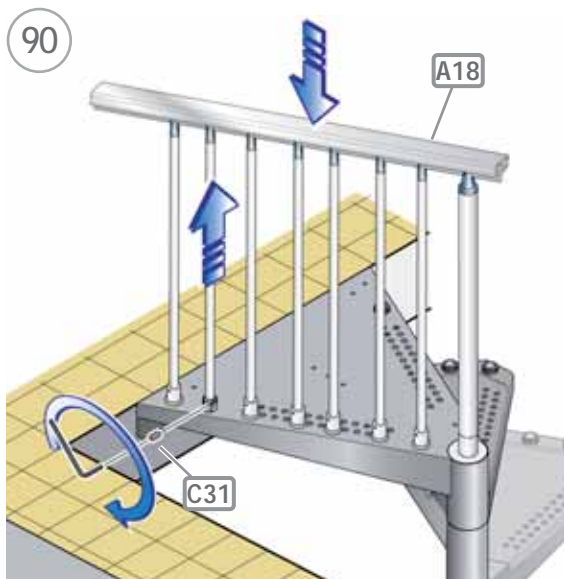


88



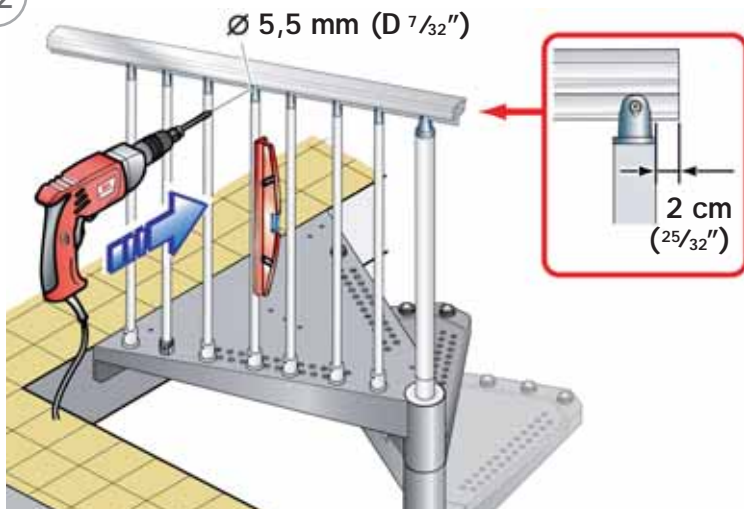
89



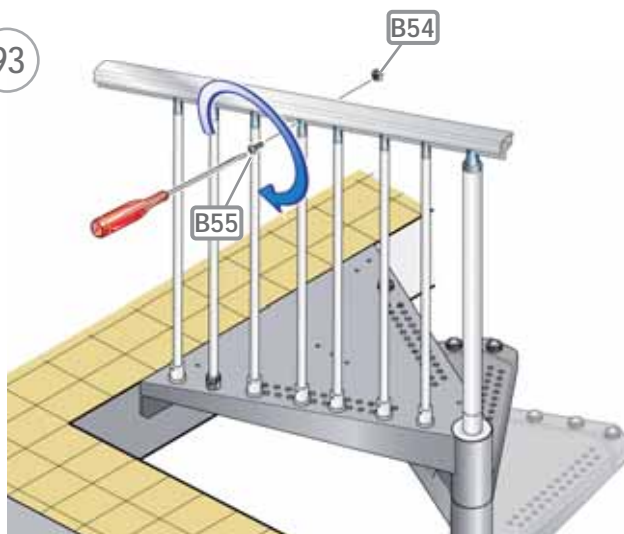




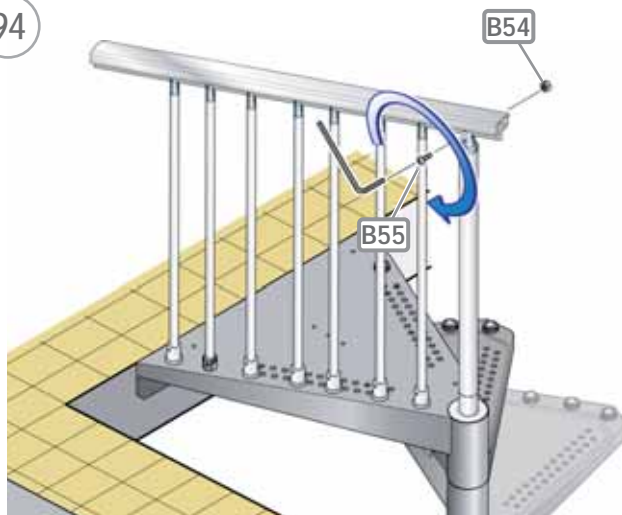
92



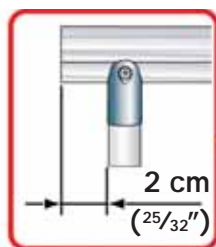
93



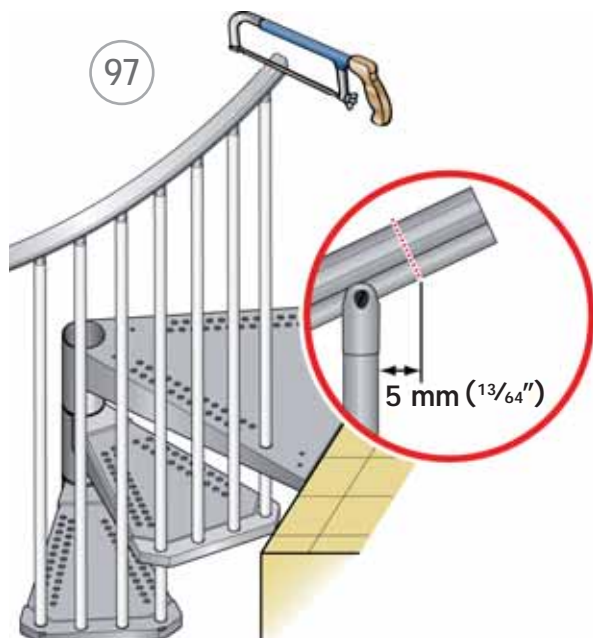
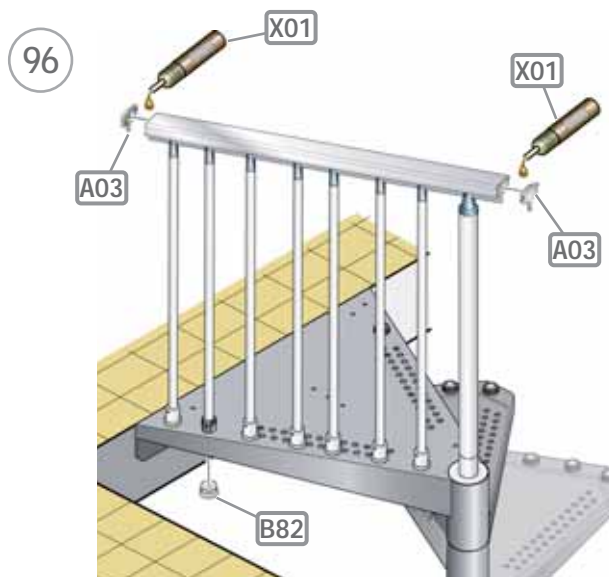
94

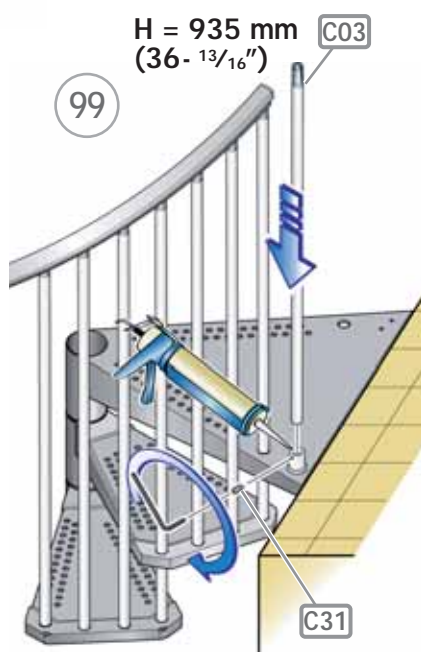
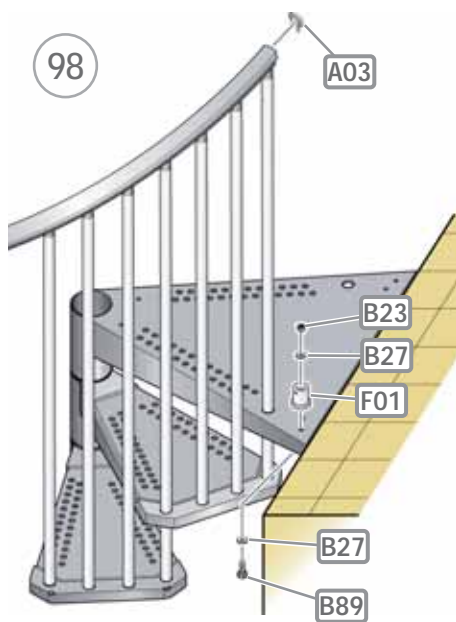


95

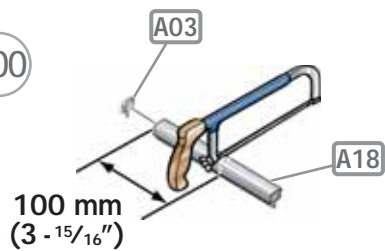


69

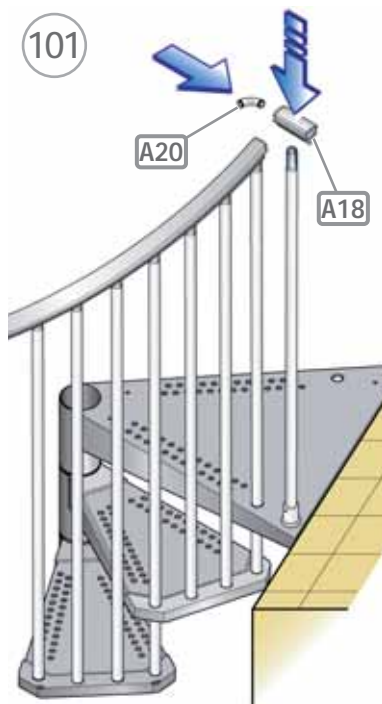




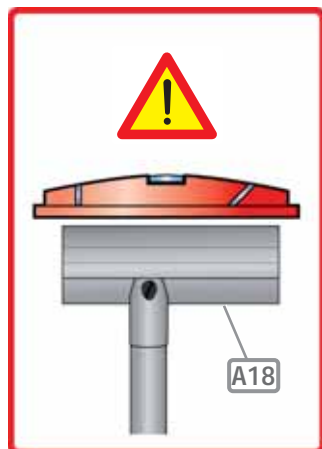
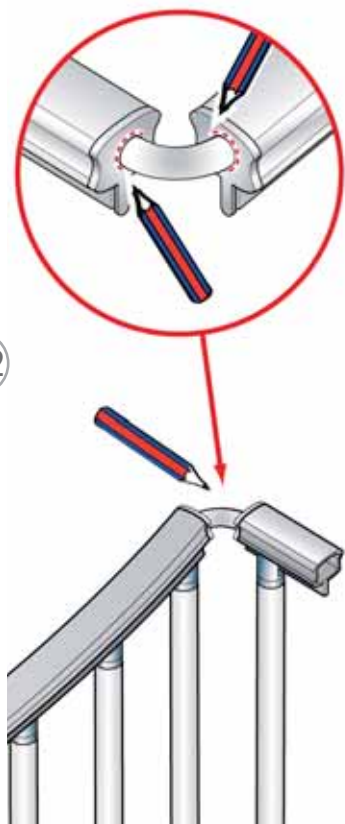
100

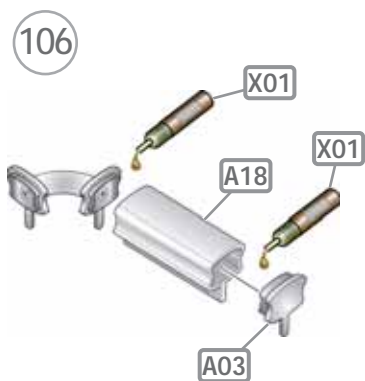
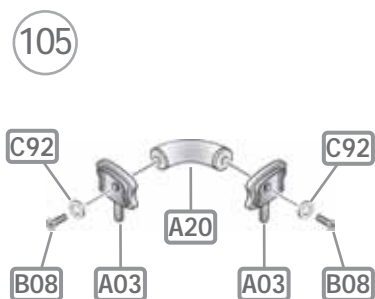
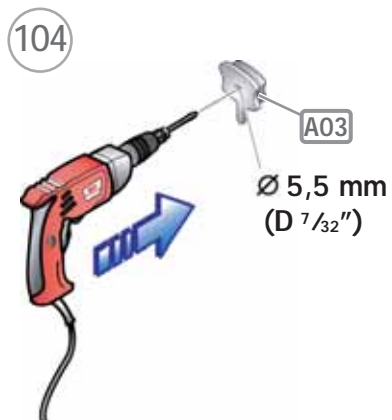
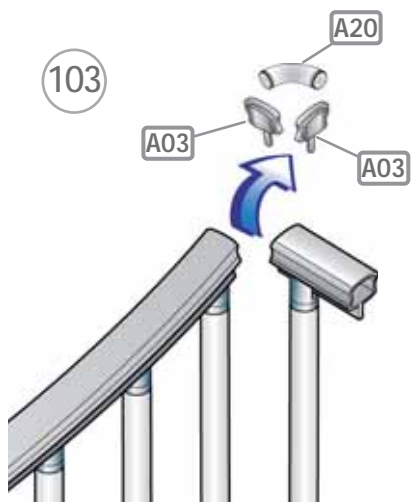


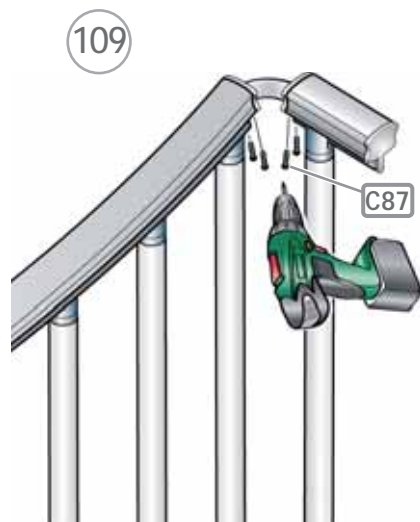
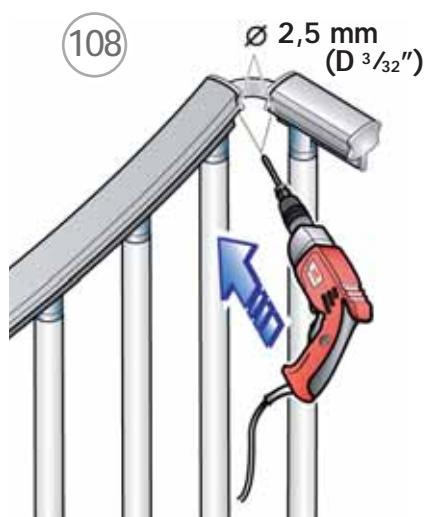
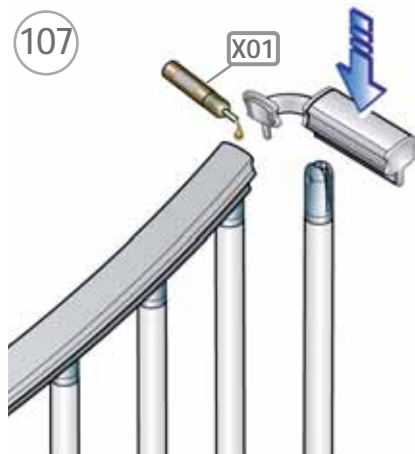
101

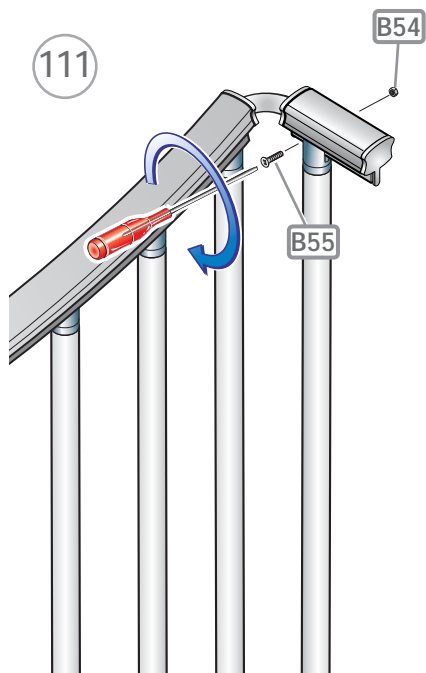
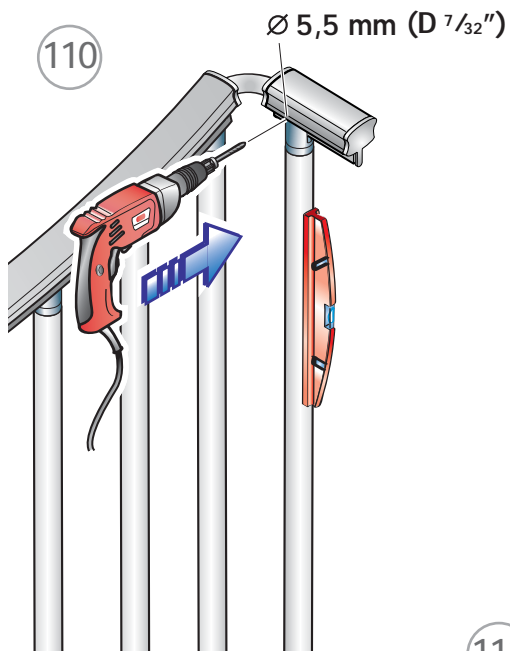


102



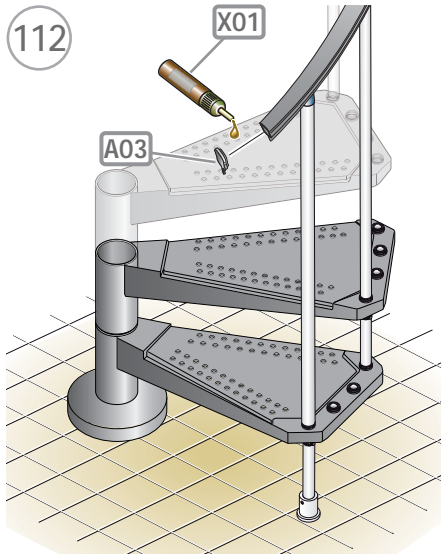








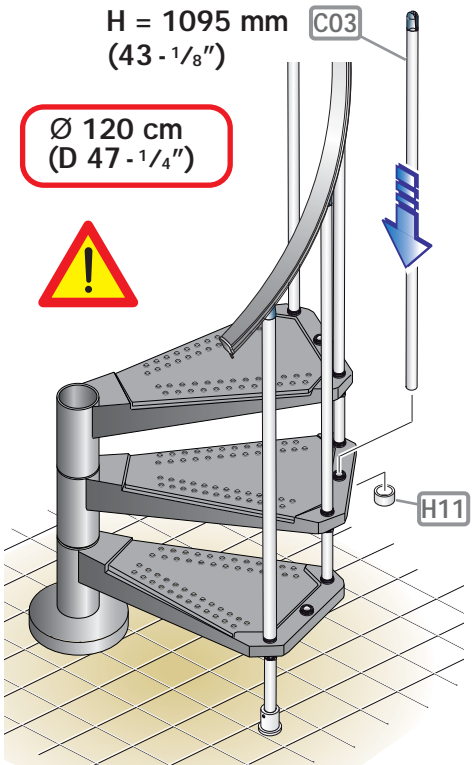
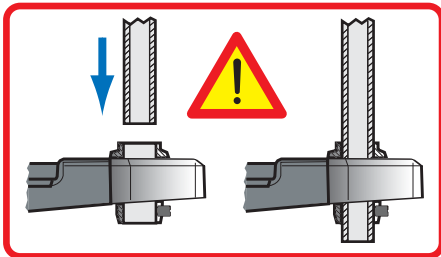
112



113 a

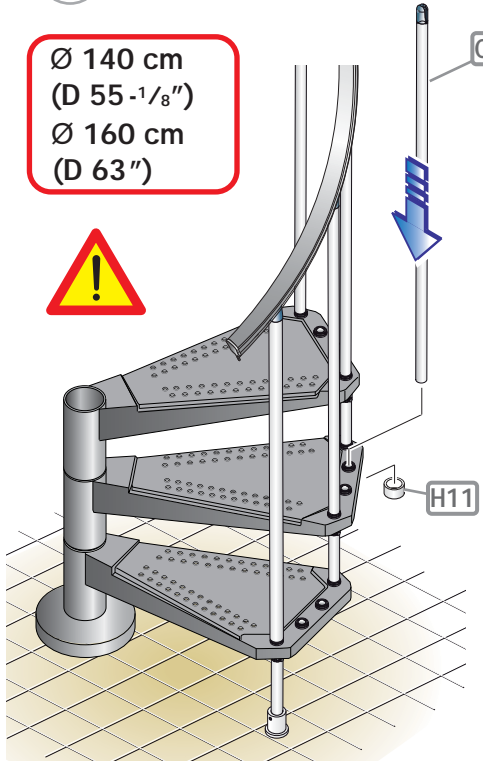
H = 1095 mm  
(43 - 1/8")

Ø 120 cm  
(D 47 - 1/4")



113 **b**

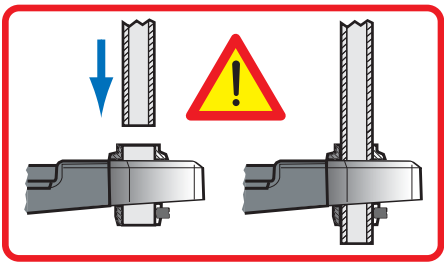
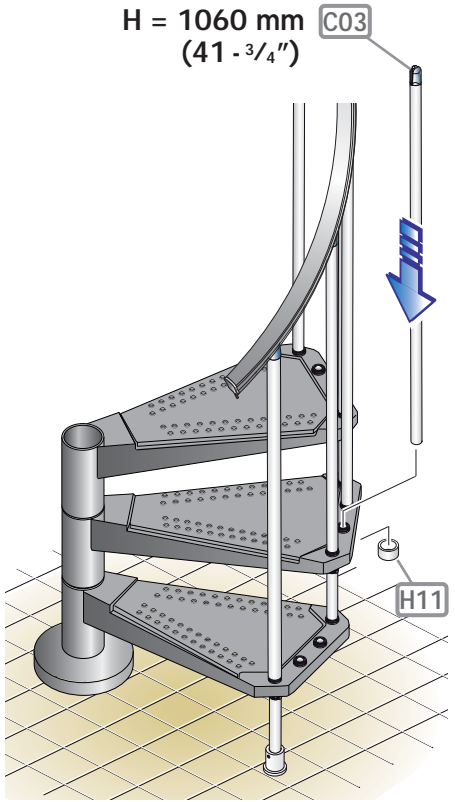
Ø 140 cm  
(D 55 - 1/8")  
Ø 160 cm  
(D 63")

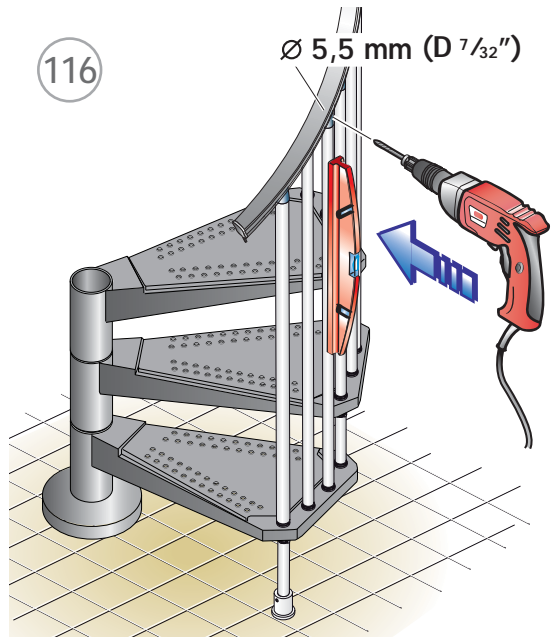
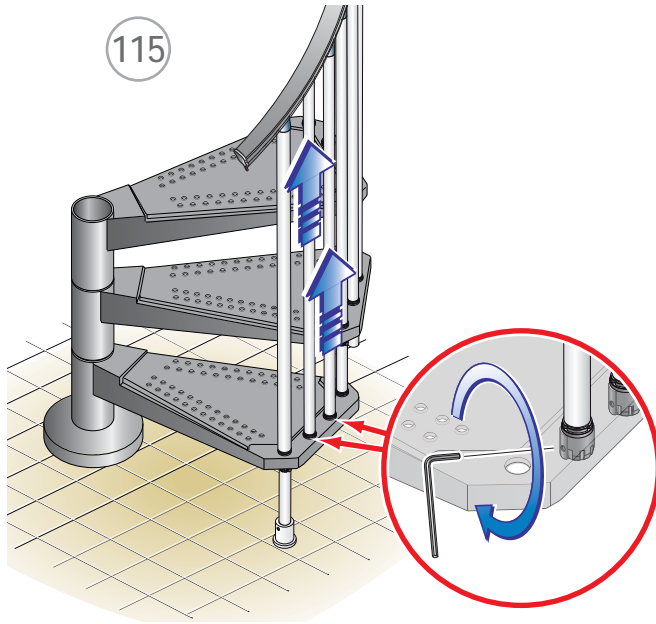


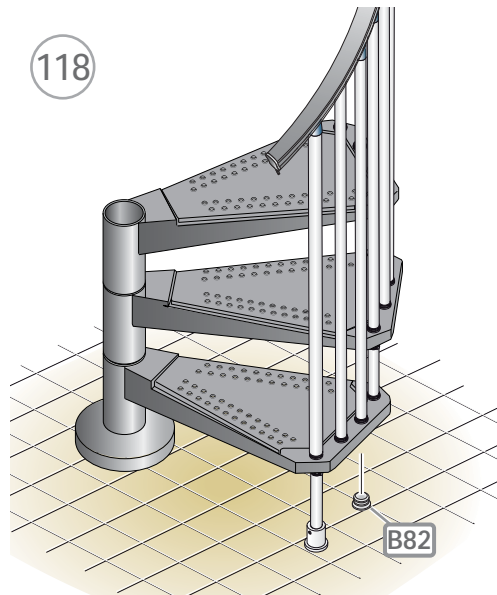
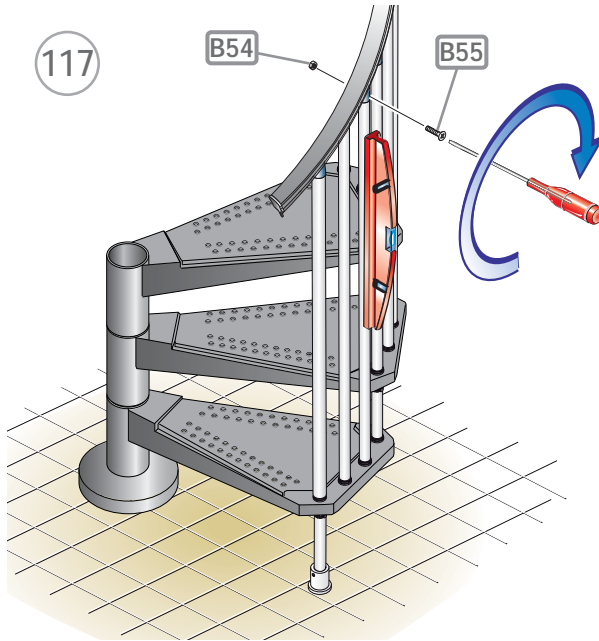
C03 H = 1130 mm (44 - 1/2")

114 **b**

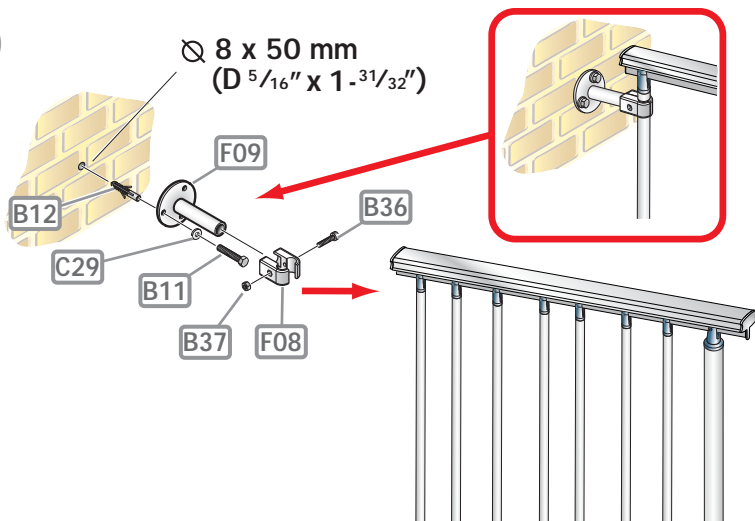
H = 1060 mm  
(41 - 3/4")



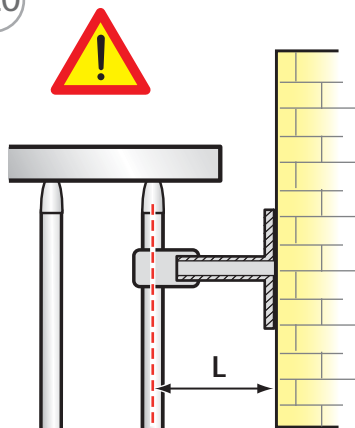




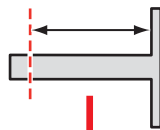
119



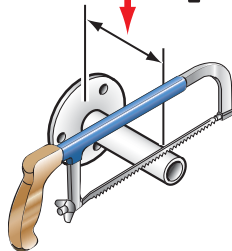
120



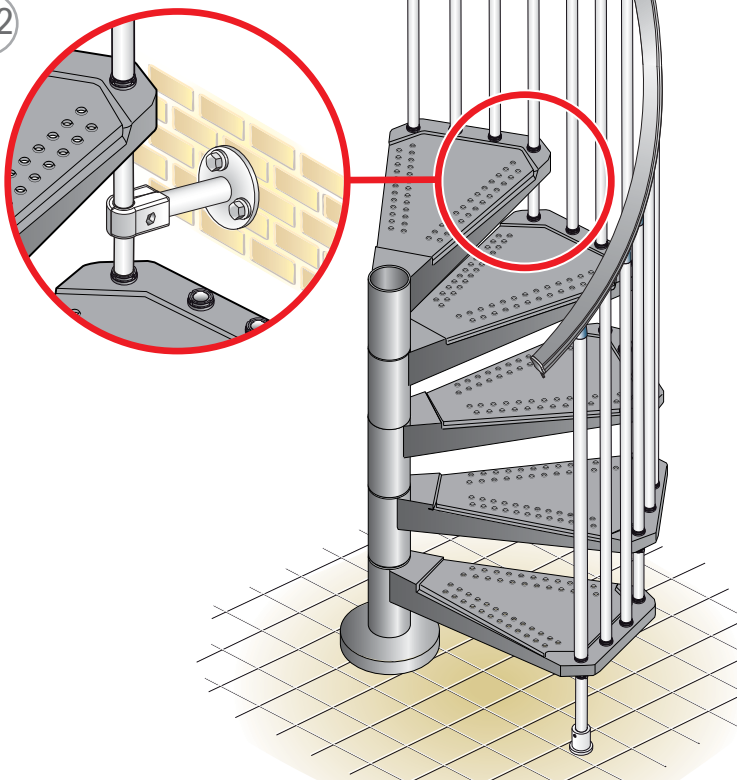
L - 3 cm  
(L - 1-3/16")



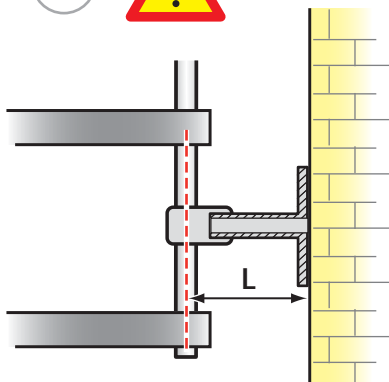
121



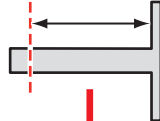
122



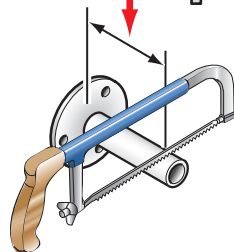
123

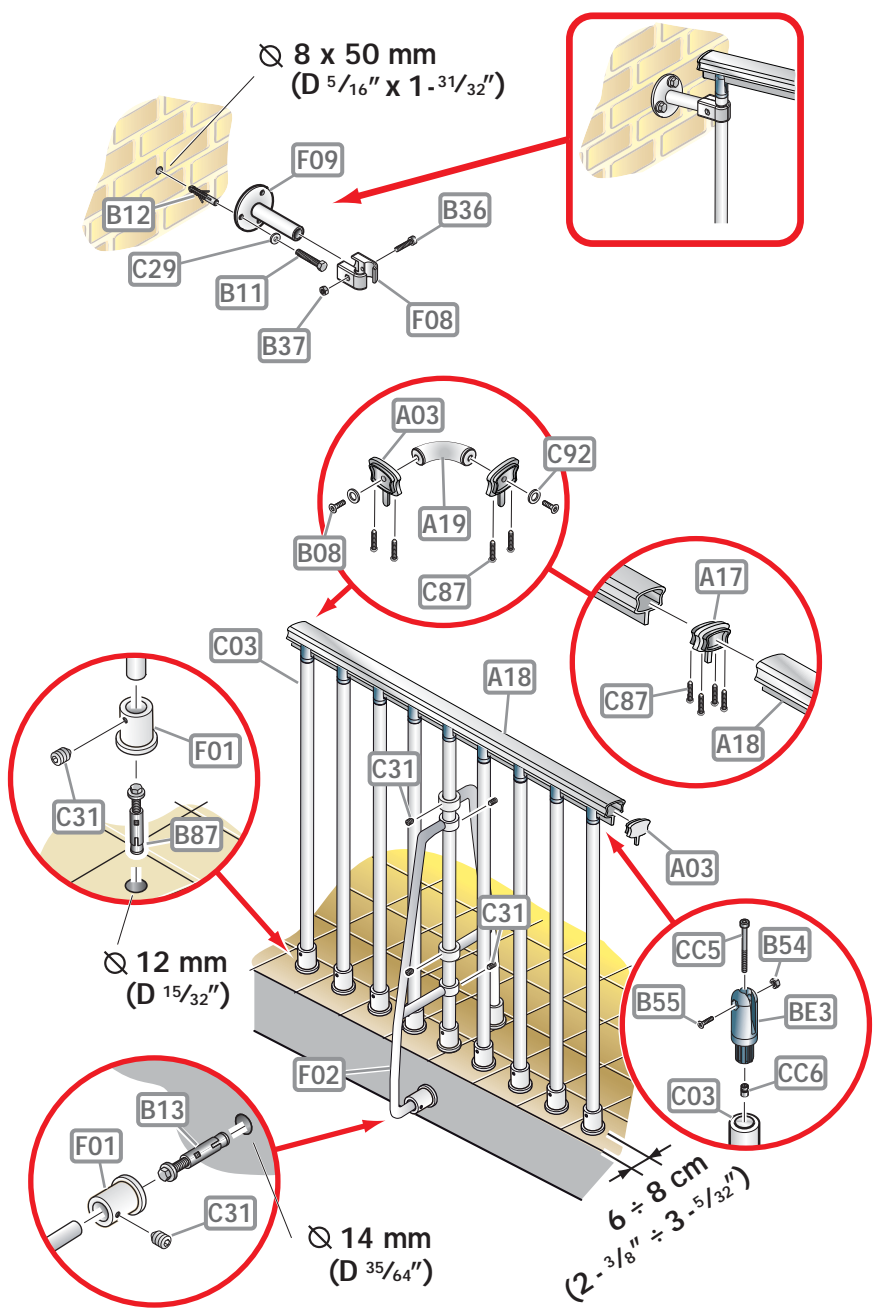


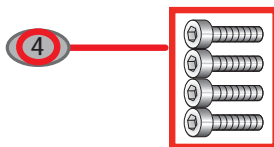
L - 3 cm  
(L - 1.3/16")



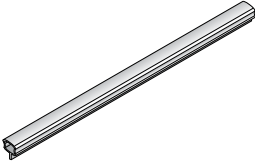











124



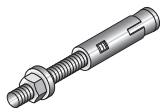




<p>A03</p>  <p>4</p>	<p>A17</p>  <p>1</p>	<p>A18</p>  <p>1</p>
<p>A19</p>  <p>1</p>	<p>B08</p>  <p>2</p>	<p>B11</p>  <p>M6 x 40 mm (M<sup>15/64"</sup> x 1-37/64")</p> <p>3</p>
<p>B12</p>  <p>∅ 8 mm (D<sup>5/16"</sup>)</p> <p>3</p>	<p>B13</p>  <p>M8 mm (M<sup>5/16"</sup>)</p> <p>1</p>	<p>B36</p>  <p>M6 x 25 mm (M<sup>15/64"</sup> x 63/64")</p> <p>1</p>
<p>B37</p>  <p>M6 mm (M<sup>15/64"</sup>)</p> <p>1</p>	<p>B54</p>  <p>10</p>	<p>B55</p>  <p>10</p>

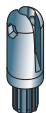


B87



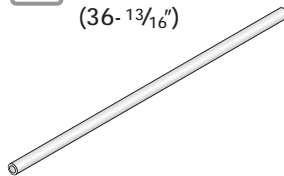
10

BE3



10

C03 H = 935 mm  
(36-13/16")



10

C29



3

C31



6 x 6 mm  
(15/64" x 15/64")

13

C87



8

C92



2

CC5



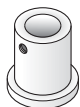
10

CC6



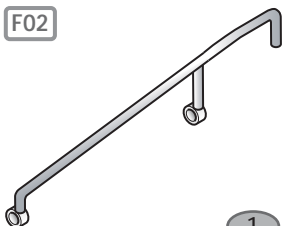
10

F01



11

F02



1

F08



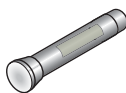
2

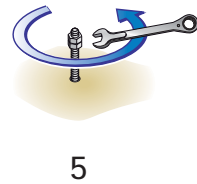
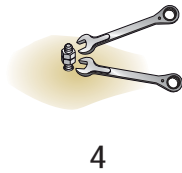
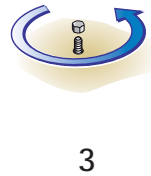
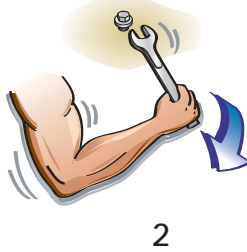
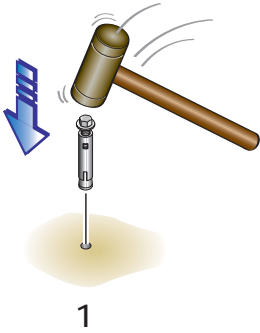
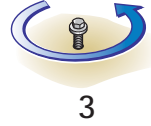
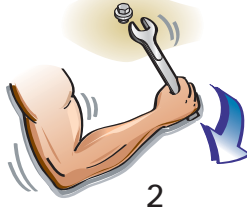
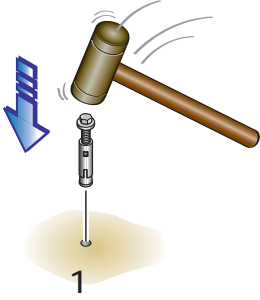
F09



1

X01



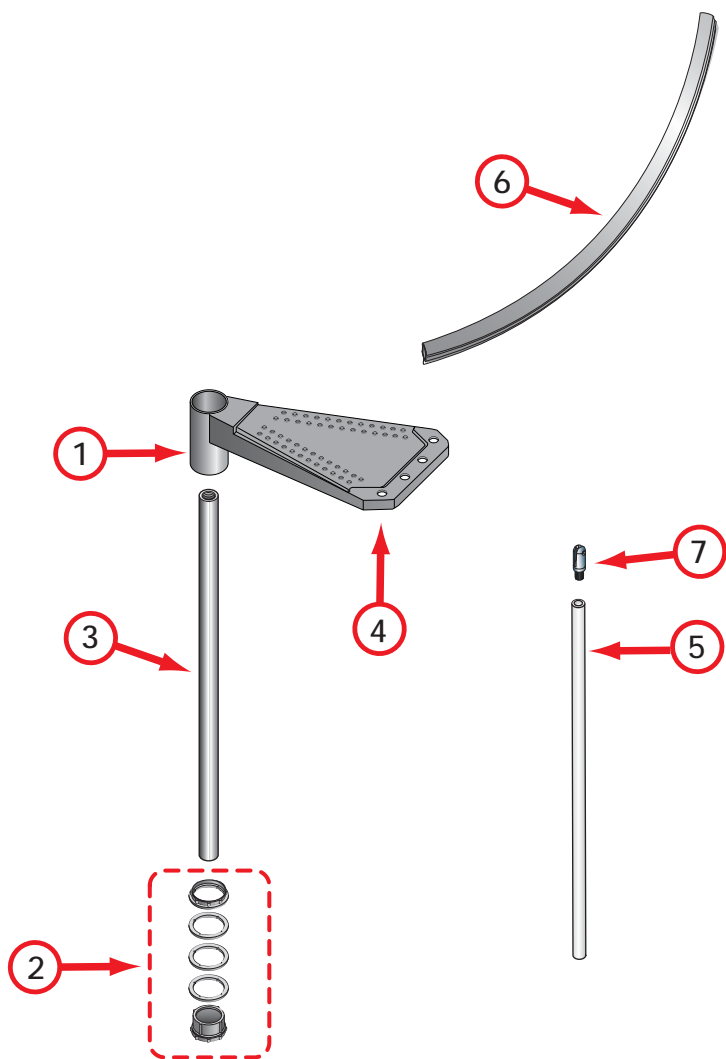




**Italiano**  
**English**  
**Deutsch**  
**Français**  
**Español**

**DATI IDENTIFICATIVI DEL PRODOTTO**  
**PRODUCT DETAILS**  
**PRODUKTEIGENSCHAFTEN**  
**DONNÉES D'IDENTIFICATION DU PRODUIT**  
**DATOS DE IDENTIFICACIÓN**





IT)

## dati identificativi del prodotto

denominazione commerciale: M60

tipologia: scala a chiocciola a pianta tonda

### materiali impiegati

#### STRUTTURA

##### descrizione

composta da distanziali (1) in metallo (saldati al gradino) e spessori (2) in plastica impilati e compressi sul palo (3) centrale modulare

##### materiali

distanziali: Fe 360

spessori: nylon 66

palo: Fe 360 zincato

##### finitura

distanziali: zincatura a caldo e verniciatura a forno con polveri poliestere per uso esterno

#### GRADINI

##### descrizione

gradini (4) in metallo circolari impilati sul palo (3) centrale

##### materiali

gradini: lamiera Fe 360

##### finitura

zincatura a caldo e verniciatura a forno con polveri poliestere per uso esterno

#### RINGHIERA

##### descrizione

composta da colonnine (5) verticali in metallo fissate ai gradini (4) e da un corrimano (6) in PVC

##### materiali

colonnine: Fe 360

corrimano: PVC

fiissaggi (7): nylon

##### finitura

colonnine: zincatura a caldo Sendzimir e mano di fondo ai fosfati di zinco e verniciatura a forno con polveri poliestere per uso esterno

#### PULIZIA E MANUTENZIONE OBBLIGATORIA

Eseguire la pulizia della scala alla prima comparsa di macchie di sporco e depositi di polvere e periodicamente almeno ogni 6 mesi con panno morbido inumidito in acqua e detersivi specifici non abrasivi ed aggressivi. NON usare mai pagliette abrasive o in ferro. Pulire ed asciugare accuratamente dopo il lavaggio con un panno in microfibra al fine di eliminare gli aloni del calcare presente nell'acqua.

Dopo circa 12 mesi dalla data di installazione, controllare il serraggio della viteria dei vari componenti. Al verificarsi di qualsiasi minimo malfunzionamento è obbligatorio effettuare una manutenzione straordinaria, da eseguire subito e a regola d'arte.

#### PRECAUZIONI D'USO

Evitare usi impropri e non consoli al prodotto. Eventuali manomissioni o installazioni non rispondenti alle istruzioni del produttore possono inficiare le conformità prestabilite del prodotto.

EN)

## product details

trade name: M60

type: spiral round staircase

### used materials

#### STRUCTURE

##### description

composed of metal spacers (1) (welded to the tread) and of plastic spacers (2) stacked and packed on the central modular pole (3)

##### materials

spacers: Fe 360

plastic spacers: nylon 66

pole: Fe 360 galvanized

##### finishing

spacers: hot dip galvanizing and polyester powder coating for outdoor use

#### TREADS

##### description

circular metal treads (4) stacked on the central pole (3)

##### materials

treads: plate Fe 360

##### finishing

hot dip galvanizing and polyester powder coating for outdoor use

#### RAILING

##### description

composed of vertical metal balusters (5) fixed to the treads (4) and of a PVC handrail (6)

##### materials

balusters: Fe 360

handrail: PVC

fixings (7): nylon

##### finishing

balusters: Sendzimir hot dip galvanizing, zinc phosphate primer and polyester powder coating for outdoor use

#### OBLIGATORY CLEANING AND MAINTENANCE

Clean the treads as soon as dirt spots and dust deposits appear and at least every 6 months using a soft cloth moistened with water and specific non-abrasive and non-aggressive detergents. **NEVER** use abrasive scourers. After cleaning, thoroughly dry the surfaces with a microfibre cloth to remove the haloes that form because of the limestone in the water. Approximately 12 months from the date of installation, check tightness of the screws of the various components. Should even the smallest malfunction occur, it is obligatory to immediately and professionally carry out extraordinary maintenance.

#### USE PRECAUTION

Avoid any improper use that is not in accordance with the product. Possible violations or installations which don't comply with the providers instructions can invalidate the agreed product conformities.

DE)

## Produkteigenschaften

kommerzielle Bezeichnung: **M60**

Typologie: Spindeltrappe mit rundem Grundriss

### verwendete Materialien

#### STRUKTUR

##### Beschreibung

bestehend aus Distanzhülsen (1) aus Metall (mit der Stufe verschweißt) und Distanzringen (2) aus Plastik um die Zentralsäule (3) im Baukastensystem herum gestapelt und komprimiert

##### Materialien

Distanzhülsen: Fe 360

Distanzringen: Nylon 66

Zentralsäule: Fe 360 verzinkt

##### Ausführung

Distanzhülsen: Feuerverzinkung und Polyester-Pulverbeschichtung für Außenbereichen

#### STUFEN

##### Beschreibung

runde Stufen (4) aus Metall um die Zentralsäule (3) herum gestapelt

##### Materialien

Stufen: Fe 360 Blech

##### Ausführung

Feuerverzinkung und Polyester-Pulverbeschichtung für Außenbereichen

#### GELÄNDER

##### Beschreibung

bestehend aus auf den Stufen (4) befestigten, senkrechten Stäben (5) aus Metall und aus einem Handlauf (6) aus PVC

##### Materialien

Geländerstäbe: Fe 360

Handlauf: PVC

Befestigungsteile (7): Nylon

##### Ausführung

Geländerstäbe: Sendzimir-Feuerverzinkung, Zinkphosphat-Grundierung und Polyester-Pulverbeschichtung für Außenbereichen

### REINIGUNG UND VORGESCHRIEBENE INSTANDHALTUNG

Die Treppe sofort reinigen wenn Schmutzfl ecken und Staubansammlungen entstehen und sie mindestens alle 6 Monate mit einem weichen, mit Wasser und einem spezifischen, weder scheuernden, noch aggressiven Reinigungsmittel befeuchteten Lappen abzuwischen. **NIEMALS** scheuernde Eisenschwämme verwenden.

Nach der Feuchtreinigung mit einem Mikrofasertuch sorgfältig nachtrocknen, um die Schlierenbildung durch kalkhaltiges Wasser zu vermeiden. 12 Monate nach der Montage das Anzugsmoment der Schrauben der verschiedenen Komponenten kontrollieren. Bei Auftreten einer noch so geringen Funktionsstörung muss unbedingt sofort eine fachgerechte außerordentliche Instandhaltung durchgeführt werden.

### VORSICHTSMAßNAHMEN FÜR DIE ANWENDUNG

Die falsche und unangemessene Verwendung des Produkts vermeiden. Eventuelle Beschädigungen oder nicht der Montageanleitung des Herstellers gemäße Einrichtungen können die vorgegebene Produktkonformität für ungültig erklären.

FR)

## données d'identification du produit

denomination commerciale : **M60**

typologie : escalier en colimaçon à plan rond

### matériaux utilisés

#### STRUCTURE

##### description

composée de entretoises (1) en métal (soudées a la marche) et cales (2) en plastique empilées et comprimées sur le pylône (3) modulaire central

##### matériaux

entretoises : Fe 360

cales : nylon 66

pylône : Fe 360 galvanisé

##### finition

cales : galvanisation à chaud et peinture en poudre polyester pour extérieur

#### MARCHES

##### description

marches (4) en métal circulaires empilées sur le pylône (3) central

##### matériaux

marches : tôle Fe 360

##### finition

galvanisation à chaud et peinture en poudre polyester pour extérieur

#### GARDE-CORPS

##### description

composé de colonnettes (5) verticales en metal fixées aux marches (4) et d'une main courante en PVC (6)

##### matériaux

colonnettes : Fe 360

main courante : PVC

fixations (7) : nylon

##### finition

colonnettes : galvanisation à chaud Sendzimir, couche de fond au phosphate de zinc et peinture en poudre polyester pour extérieur

### NETTOYAGE ET MAINTENANCE OBLIGATOIRE

Nettoyer les marches dès que des taches de saleté ou des dépôts de poussière apparaissent ; effectuer également un nettoyage périodique, tous les 6 mois, à l'aide d'un chiffon doux, humecté d'eau et de détergents spécifiques non abrasifs et non agressifs. **NE JAMAIS** utiliser de la paille de fer abrasive. Après lavage, nettoyer et essuyer soigneusement avec un chiffon en microfibre, afin d'éliminer les auréoles provoquées par le calcaire contenu dans l'eau. Environ 12 mois après la date d'installation, contrôler le serrage des vis des différents composants. À la moindre défaillance, il est obligatoire d'effectuer immédiatement une maintenance corrective, dans les règles de l'art.

### PRECAUTION D'UTILISATION

Eviter l'utilisation impropre et non conforme au produit. D'éventuelles alterations ou installations non correspondantes aux instructions du producteur peuvent invalider les conformités préétablies du produit.

ES)

## datos de identificación del producto

denominación comercial: M60

tipo: escalera de caracol de planta redonda

### materiales empleados

#### ESTRUCTURA

##### descripción

compuesta por distanciadores (1) de metal (soldados al peldaño) y espaciadores (2) de plástico enfiladas y comprimidas en la columna (3) central modular

##### materiari

distanciadores: Fe 360

espaciadores: nylon 66

columna central: Fe 360 galvanizado

##### acabado

distanciadores: galvanización en caliente y barnizado con polvo de poliéster para exterior

#### PELDAÑOS

##### descripción

peldaños (4) de metal circulares enfilados en la columna (3) central

##### materiari

peldaños: chapa Fe 360

##### acabado

galvanización en caliente y barnizado con polvo de poliéster para exterior

#### BARANDILLA

##### descripción

compuesta por barrotes (5) verticales de metal fijados a los peldaños (4) y por un pasamanos (6) de PVC

##### materiari

barrotes: Fe 360

pasamanos: PVC

fijaciones (7): nylon

##### acabado

barrotes: galvanización en caliente Sendzimir, capa de imprimación de fosfato de cinc y barnizado con polvo de poliéster para exterior

#### LIMPIEZA Y MANTENIMIENTO OBLIGATORIO

Realizar la limpieza de la escalera en cuanto aparezcan manchas de suciedad y depósitos de polvo, y periódicamente al menos cada 6 meses, con un paño suave humedecido en agua y detergentes específicos no abrasivos ni agresivos. **NO** utilizar nunca lanas abrasivas o de hierro. Limpiar y secar bien después del lavado utilizando un paño de microfibra para eliminar las aureolas de cal dejadas por el agua.

Transcurridos unos 12 meses desde la fecha de instalación, comprobar que los tornillos que fijan las distintas partes sigan bien apretados.

Ante el menor defecto de funcionamiento, es obligatorio realizar un mantenimiento extraordinario según las reglas del arte.

#### PRECAUCIONES DE USO

Evitar usos impropios y no conformes con el producto. Eventuales manipulaciones o instalaciones que no cumplan con las instrucciones del fabricante pueden menoscabar las cualidades certificadas en las pruebas de conformidad a las que previamente fue sometido el producto.



**60**  
D.U.M.  
03/2016

Fontanot S.p.A.  
**Sede legale ed amministrativa**  
via P. Paolo Pasolini, 6  
47853 Cerasolo Ausa  
Rimini, Italy

tel. +39.0541.90.61.11  
fax. +39.0541.90.61.24  
info@fontanot.it  
www.fontanot.it  
www.arkestairs.com

cod. 067440001

Design: Centro Ricerche Fontanot

**ADIMEMBER**

Sistema aziendale Fontanot S.p.A.  
certificato CSQ ISO-9001

